

名称 (name)	间距 (space)	间距 (space)
产品照片		I~X
线对板连接器		1
▶ FPC/FFC连接器		1
TJC1002	1.0mm	1
TJC1003	1.0mm	2~3
TJC1005	1.0mm	4
TJC1008	1.0mm	5
TJC1256	1.25mm	6~8
TJC25456	2.54mm	9
TJC25472	2.54mm	10~11
TJC25475	2.54mm	12
▶ 其它连接器		13
TJC10020	1.0mm	13~14
TJC1255	1.25mm	15~21
TJC1257	1.25mm	22
TJC12510	1.25mm	23~26
TJC12511	1.25mm	27~29
ZH	1.5mm	30~33
TJC1501	1.5mm	34
PH	2.0mm	35~45
PHD	2.0mm	46~49
SAN	2.0mm	50~51
SANW	2.0mm	52
TJC15	2.0mm	53~54
TJC17	2.0mm	55
TJC19	2.0mm	56~58
TJC2004	2.0mm	59~61
TJC20010	2.0mm	62
TJC20043	2.0mm	63
TJC20046	2.0mm	64~66
TJC20055	2.0mm	67
EH	2.5mm	68~72
EH-S	2.5mm	73~74
EI	2.5mm	75~76

名称 (name)	间距 (space)	间距 (space)
M63&MEH	2.5mm	77
SCN	2.5mm	78~79
SCN-D	2.5mm	80~81
SCNW	2.5mm	82
TJC3	2.5mm	83~88
TJC25019	2.5mm	89~94
TJC25025	2.5mm	95~98
TJC25030	2.5mm	99~101
TJC25038	2.5mm	102~103
TJC25048	2.5mm	104~106
TJC3-S	2.5mm	107~108
TJC9	2.5mm	109~110
TJC14	2.5mm	111~114
TJC22	2.5mm	115
TJC26	2.5mm	116
TJC31	2.5mm	117
TJC2508	2.5mm	118~119
TJC2509	2.5mm	120~124
TJC2510	2.5mm	125~126
TJC2511	2.5mm	127~134
TJC25013	2.5mm	135
TJC25020	2.5mm	136~137
TJC25027	2.5mm	138
TJC25032	2.5mm	139
TJC25035	2.5mm	140~141
TJC25040&TJC25043	2.5mm	142~143
TJC25041	2.5mm	144~147
TJC25046	2.5mm	148~149
TJC25057	2.5mm	150~152
LAW025	2.54mm	153
TJC13	2.54mm	154~155
TJC25415	2.54mm	156~157
TJC25429	2.54mm	158

名称 (name)	间距 (space)	间距 (space)
TJC25430	2.54mm	159
TJC25431	2.54mm	160
TJC3001	3.0mm	161~162
WH	3.5mm	163~165
TJC35006	3.5mm	166~172
CJ-CA509	3.7mm	173
SDN	3.96mm	174~175
TJC6	3.96mm	176~178
TJC7	3.96mm	179~180
TJC3961	3.96mm	181
TJC3964	3.96mm	182
TJC3965	3.96mm	183
TJC3966	3.96mm	184~185
TJC3967	3.96mm	186~187
VH&TJC39614	3.96mm	188~190
TJC39615	3.96mm	191~192
TJC4201&TJC16&TJC4202	4.2mm	193~196
TJC4203	4.2mm	197
TJC5010	5.0mm	198
TJC50012	5.0mm	199
TJC50014&TJC50013	5.0mm	200~201
TJC50801	5.08mm	202
CY319&CY320&CH99&CH99B&CH99-1&CH99-2	6.0mm	203~205
CJ-CA431	6.0mm	206~208
TJC65001	6.5mm	209~213
TJC65002	6.5mm	214~215
TJC70001	7.0mm	216~217
TJC28	7.5mm	218~219
TJC12	7.92mm	220
TJC79201	7.92mm	221
TJC79202	7.92mm	222~223
TJC79203	7.92mm	224~225
TJC21	3~4.5mm	226~227

名称 (name)	间距 (space)	间距 (space)
TJC54&TJC57&TJC58	2.5~6.5mm	228~230
TJC2	7.5~5...5mm	231~232
TJC2A	7.5~5...5mm	233~234
TJC2B	7.5~5...5mm	235~236
TJC2E-2Y	7.5~5...5mm	237
TJC2F-2Y	7.5~5...5mm	237
TJC2G-2Y	7.5~5...5mm	238
TJC2H-2Y	7.5~5...5mm	238
TJC52	7.62~5.08...5.08mm	239~240
TJC4	8~6...6mm	241~242
TJC1	10~8...8mm	243~244
TJC46系列		245~246
▶ IDC连接器		247
TJC1507	1.5mm	247
TJC20041&TJC20027&TJC20035&TJC20045&TJC20047&TJC20052	2.0mm	248~256
TJC25028	2.5mm	257~258
TJC2502	2.5mm	259
TJC2542	2.54mm	260
TJC2544	2.54mm	261
▶ 编带连接器		262
TJC25053	2.5mm	262~264
TJC25054	2.5mm	265~266
▶ 卡板连接器		267
IL-Z	1.25mm	267~268
Ry04	1.25mm	269~270
Ry05	1.25mm	271
IL-FPC	1.25mm	272~273
▶ 跳线帽		274
TJC20033	2.0mm	274~276
TJC25046	2.5mm	277~279
▶ 排针		280
TJC8	2.54mm	280~281
TJC25460	2.54mm	282~284

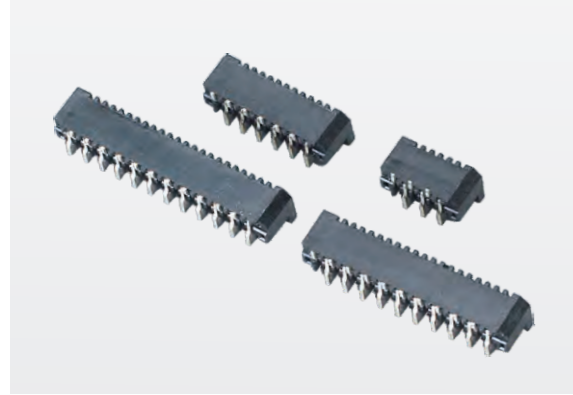
名称 (name)	间距 (space)	间距 (space)
线对线连接器		285
SM	2.5mm	285~288
TJC3969	3.96mm	289~294
EL	4.5mm	295~300
TJC4501	4.5mm	301~302
TJC10	5.08mm	303~304
TJC61	5.8mm	305
L6.2	6.2mm	306~308
TJC6021	6.2mm	300~312
FL 系列		313~315
TJC80001	8.0mm	316~320
TJC80002	3.96mm	321
CA 666	3.96mm	322~323
塑件与端子		324
TT6.3硬护套A		324
TT6.3硬护套B		324
TT6.3硬护套C		324
TT4.8硬护套A		324
TT6.3*0.8插簧护套E		324
CY465	15mm	325~326
TJC15002	6.2mm	327~328
CY321&CA91-1&CZ39-1&CZ39-2&TR6.3*0.8T1&TR6.3*0.8T2	6.2mm	329~330
CY364&TR2.8插簧G1		331
TJC39-3Y&TR6.3*0.8S1&CA407&CZ39-1&CZ39-2		332~333
TJC47&TR4.8*0.5A1&TR4.8*0.5A3		334~335
TJC48-2Y&CY377&TR4.8*0.5G1&TR4.8*0.5G2		336
CY374&TR4.8*0.5W1		337
CY372&TR6.3*0.8		338~339
TJC43&TR6.3*0.8G1&TR6.3*0.8G2		340~341
TR6.3*0.8Q1-1护套&TR6.3*0.8Q1-1插簧		342
TJC10001	10mm	343~344
TJC10002		345
TJC10009	10mm	346

名称 (name)	间距 (space)	间距 (space)
CY375 & TJC25014 插簧		347
TJC3008 & CZ367		348
CY386 & CY S386 CH99		349~350
CY373/CY373/CH206/CH206A		351
CY380&CY S380&CH206 & CH206A		352
CY378&CY S378&CH209		353
CY379 & CY S379 & CH209		354
TJC65		355
TJC5007-10Y&CY404&TJC5007 插簧 & TJC5007 插簧B		356
TJC6202 系列		357
CY384&CH211		358
CY474A & CH72-2		359
保险丝管插簧002		360
CA456		361~362
CZ456		363
CZ473		364
CZ572 插针		365
快速接插器		366
A型 平行端子		367
F型 旗形端子		368
Q型 旗形端子		368
T型 平行端子		369
S型/B型 平行端子		369
V型 平行形端子		370
O型 旗形端子		370~371
G型 平行端子		371
H型 平行端子		372
Q1型/R型 旗形端子		372
环形端子		373
叉形端子		373~374
齿形端子		374
插片		375~376

TJC1002 型扁平电缆连接器

TJC1002 Flat Cable Connector

间距 (space) : 1.0mm

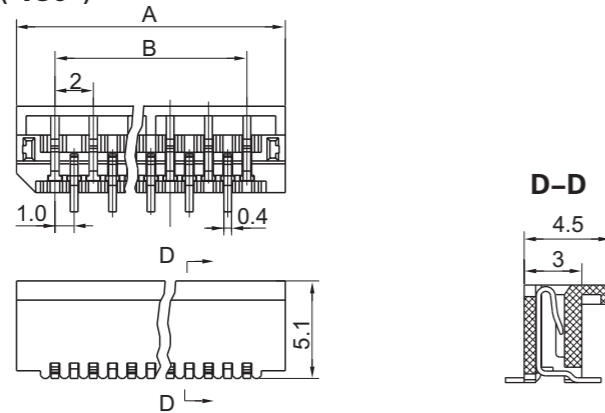


技术参数 (SPECIFICATIONS)

适用线缆 (Useable wire range): 厚度 0.3mm 柔性扁平电缆
 温度范围 (Temperature range) : -25°C~85°C
 额定电压 (Voltage rating): 50V AC/DC
 额定电流 (Current rating) : 0.5A
 接触电阻 (Insulation resistance): $\leq 0.03 \Omega$
 绝缘电阻 (Insulation resistance) : $\geq 1000M\Omega$
 耐压 (Withstand voltage) : 500V AC/minute

认证 (STANDARDS) : E200881

连接器 CONNECTOR 直式 (180°)



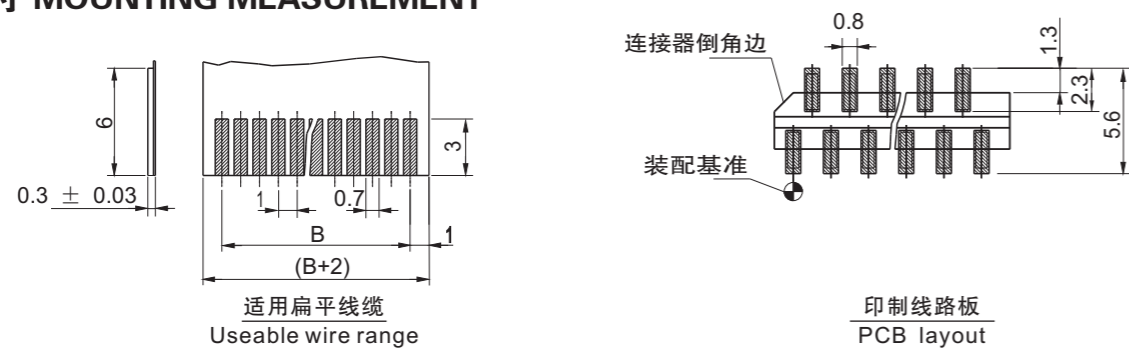
线数 Poles	型号 Type	尺寸 Dimensions(mm)			线数 Poles	型号 Type	尺寸 Dimensions(mm)		
		A	B	C			A	B	C
3	TJC1002-3P	6	2	4.1	18	TJC1002-18P	21	17	19.1
4	TJC1002-4P	7	3	5.1	19	TJC1002-19P	22	18	20.1
5	TJC1002-5P	8	4	6.1	20	TJC1002-20P	23	19	21.1
6	TJC1002-6P	9	5	7.1	21	TJC1002-21P	24	20	22.1
7	TJC1002-7P	10	6	8.1	22	TJC1002-22P	25	21	23.1
8	TJC1002-8P	11	7	9.1	23	TJC1002-23P	26	22	24.1
9	TJC1002-9P	12	8	10.1	24	TJC1002-24P	27	23	25.1
10	TJC1002-10P	13	9	11.1	25	TJC1002-25P	28	24	26.1
11	TJC1002-11P	14	10	12.1	26	TJC1002-26P	29	25	27.1
12	TJC1002-12P	15	11	13.1	27	TJC1002-27P	30	26	28.1
13	TJC1002-13P	16	12	14.1	28	TJC1002-28P	31	27	29.1
14	TJC1002-14P	17	13	15.1	29	TJC1002-29P	32	28	30.1
15	TJC1002-15P	18	14	16.1	30	TJC1002-30P	33	29	31.1
16	TJC1002-16P	19	15	17.1	40	TJC1002-40P	43	39	41.1
17	TJC1002-17P	20	16	18.1					

材质 · 表面处理 Material and Finish

PPS UL94V-0 · Black

磷青铜 镀锡 Phos · bronze Tin · Plated

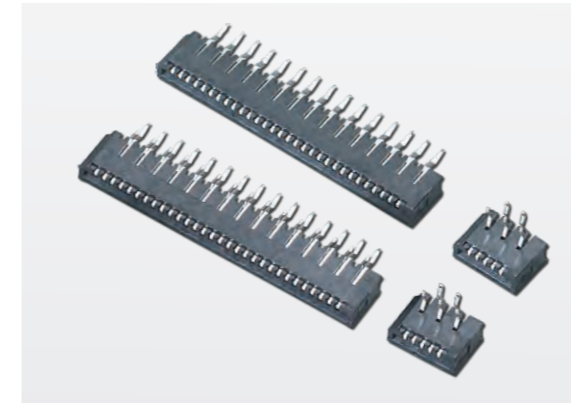
安装尺寸 MOUNTING MEASUREMENT



TJC1003 型扁平电缆连接器

TJC1003 Flat Cable Connector

间距 (space) : 1.0mm

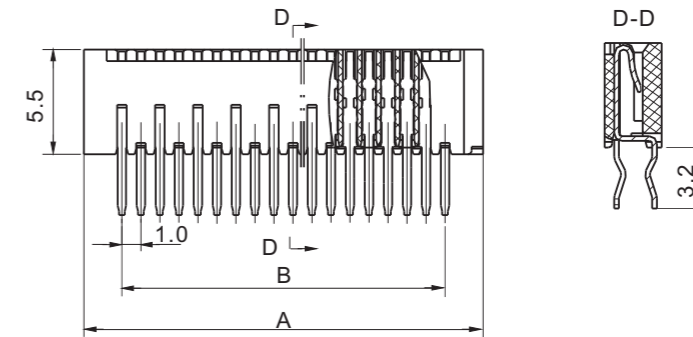


技术参数 (SPECIFICATIONS)

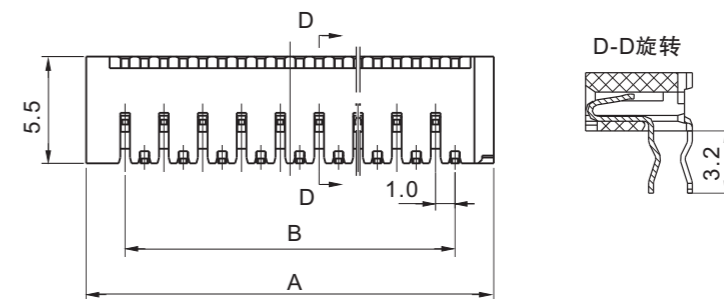
适用线缆 (Useable wire range): 厚度 0.3mm 柔性扁平电缆
 适用基板厚度 (Applicable PCB thickness): 1.2~1.6mm
 温度范围 (Temperature range) : -25°C~85°C
 额定电压 (Voltage rating): 50V AC/DC
 额定电流 (Current rating) : 0.5A
 接触电阻 (Insulation resistance): $\leq 0.03 \Omega$
 绝缘电阻 (Insulation resistance) : $\geq 1000M\Omega$
 耐压 (Withstand voltage) : 500V AC/minute

认证 (STANDARDS) : E200881

连接器 CONNECTOR 直式 (180°)

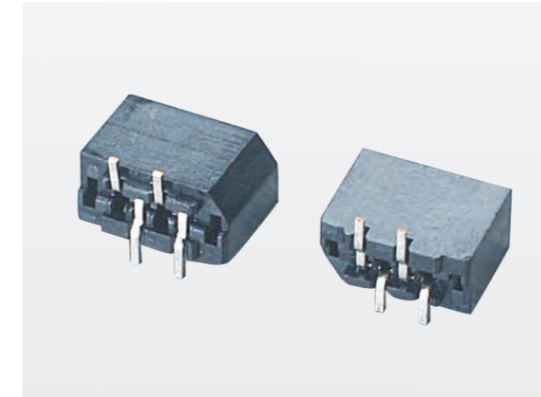
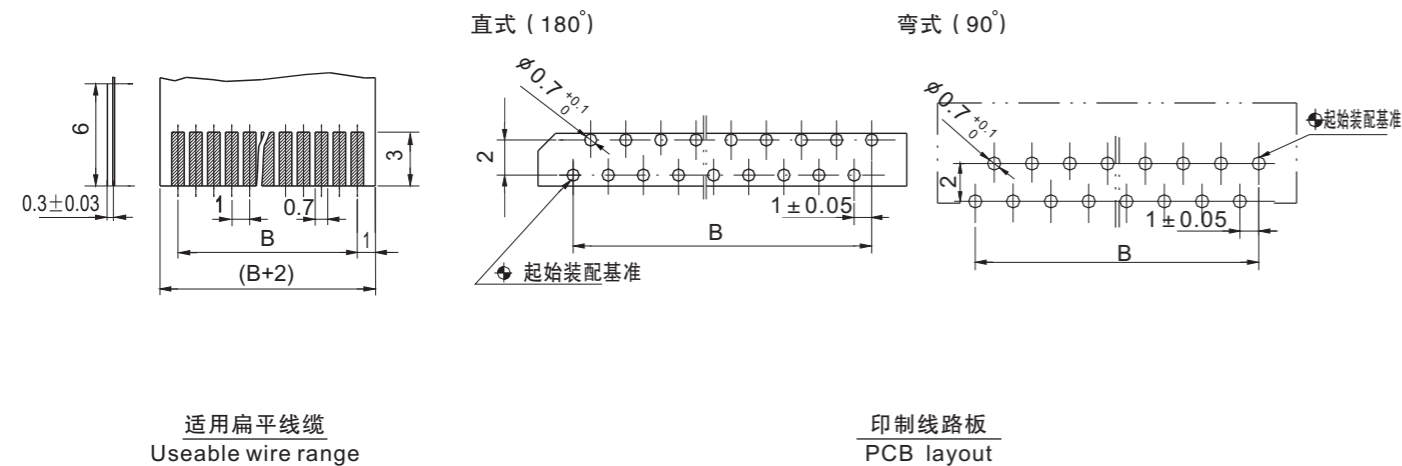


连接器 CONNECTOR 弯式 (90°)



线数 Poles	型号 Type		尺寸 Dimensions(mm)		线数 Poles	型号 Type		尺寸 Dimensions(mm)	
	直式 (180°)	弯式 (90°)	A	B		直式 (180°)	弯式 (90°)	A	B
3	TJC1003-3P	TJC1003-3PW	6	2	17	TJC1003-17P	TJC1003-17PW	20	16
4	TJC1003-4P	TJC1003-4PW	7	3	18	TJC1003-18P	TJC1003-18PW	21	17
5	TJC1003-5P	TJC1003-5PW	8	4	19	TJC1003-19P	TJC1003-19PW	22	18
6	TJC1003-6P	TJC1003-6PW	9	5	20	TJC1003-20P	TJC1003-20PW	23	19
7	TJC1003-7P	TJC1003-7PW	10	6	21	TJC1003-21P	TJC1003-21PW	24	20
8	TJC1003-8P	TJC1003-8PW	11	7	22	TJC1003-22P	TJC1003-22PW	25	21
9	TJC1003-9P	TJC1003-9PW	12	8	23	TJC1003-23P	TJC1003-23PW	26	22
10	TJC1003-10P	TJC1003-10PW	13	9	24	TJC1003-24P	TJC1003-24PW	27	23
11	TJC1003-11P	TJC1003-11PW	14	10	25	TJC1003-25P	TJC1003-25PW	28	24
12	TJC1003-12P	TJC1003-12PW	15	11	26	TJC1003-26P	TJC1003-26PW	29	25
13	TJC1003-13P	TJC1003-13PW	16	12	27	TJC1003-27P	TJC1003-27PW	30	26
14	TJC1003-14P	TJC1003-14PW	17	13	28	TJC1003-28P	TJC1003-28PW	31	27
15	TJC1003-15P	TJC1003-15PW	18	14	29	TJC1003-29P	TJC1003-29PW	32	28
16	TJC1003-16P	TJC1003-16PW	19	15	30	TJC1003-30P	TJC1003-30PW	33	29
材质·表面处理 Material and Finish									
PPS UL94V-0 · Black					磷青铜 镀锡 Phos · bronze Tin · Plated				

安装尺寸 MOUNTING MEASUREMENT

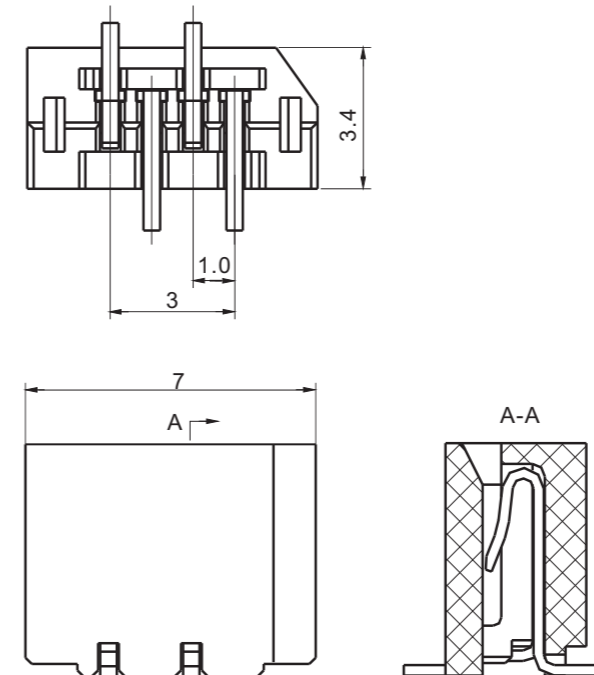


技术参数 (SPECIFICATIONS)

适用线缆 (Useable wire range): 厚度 0.3mm 柔性扁平电缆
 温度范围 (Temprature range): -25 °C ~ 85 °C
 额定电压 (Voltage rating) : 50V AC/DC
 额定电流 (Current rating) : 0.5A
 接触电阻 (Insulation resistance): ≤ 0.03 Ω
 绝缘电阻 (Insulation resistance) : ≥ 1000MΩ
 耐压 (Withstand voltage) : 500V AC/minute

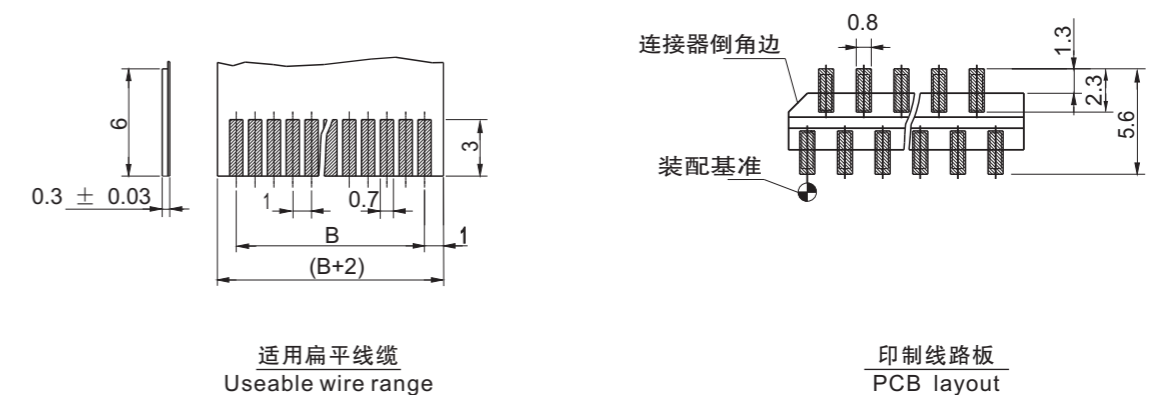
认证 (STANDARDS) : E200881

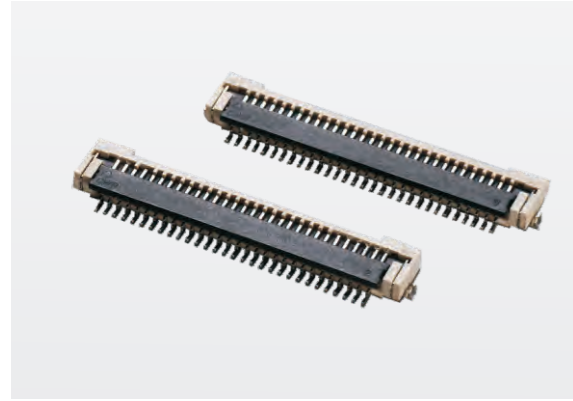
连接器 CONNECTOR 直式 (180°)



线数 Poles	型号 Type
4	TJC1005-4P
材质·表面处理 Material and Finish	
PPS UL94V-0 · Black; Phos · bronze Tin · Plated	

安装尺寸 MOUNTING MEASUREMENT





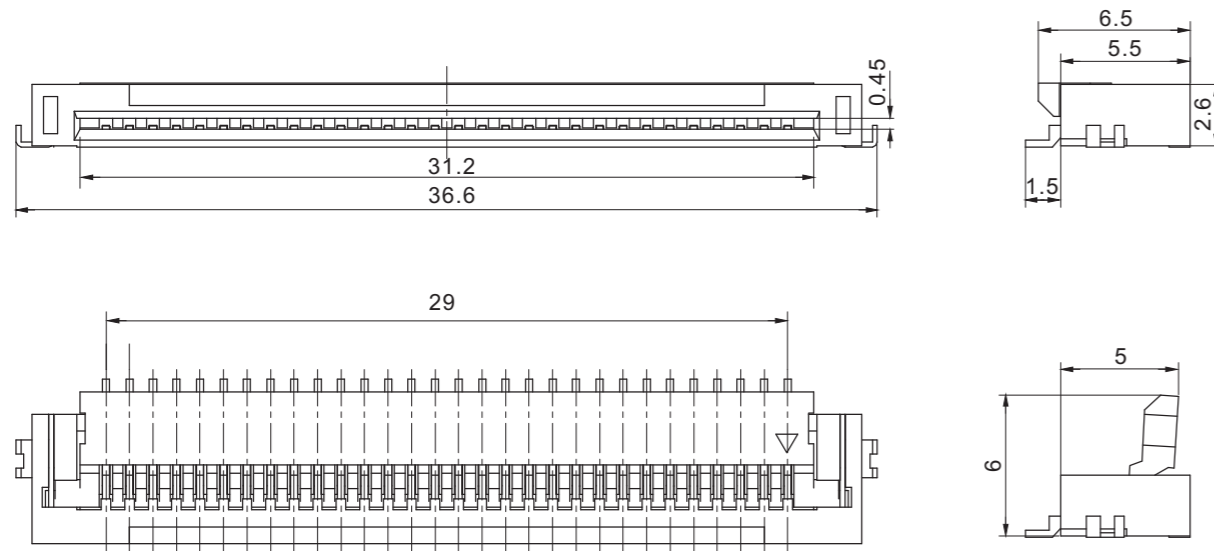
技术参数 (SPECIFICATIONS)

温度范围 (Temperature range): -25 °C ~85 °C
 额定电压 (Voltage rating): 200V AC/DC
 额定电流 (Current rating): 1A AC/DC
 接触电阻 (Insulation resistance): $\leq 0.03 \Omega$
 绝缘电阻 (Insulation resistance): $\geq 1000M \Omega$
 耐压 (Withstand voltage): 500V AC/minute
 材料 (Material) :

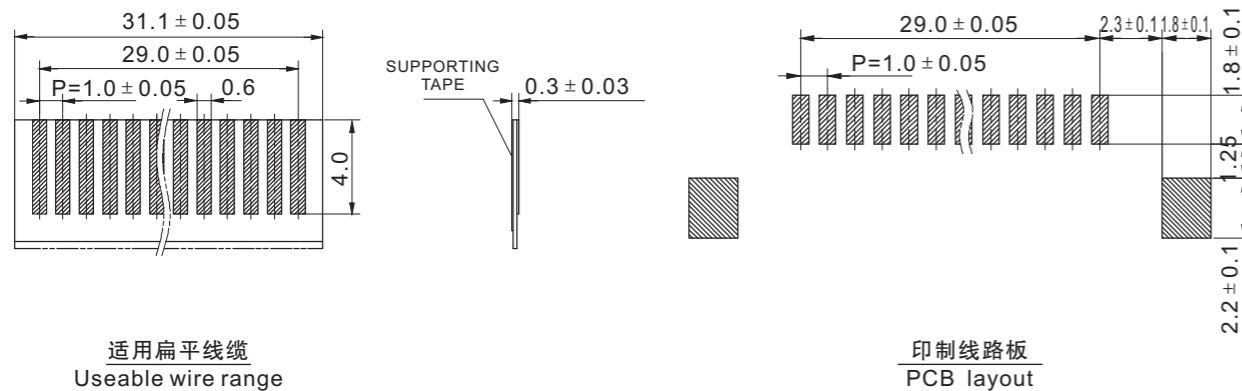
针座 Housing : LCP UL 94V-0
 锁紧片 Actuator : PA6T UL94V-0
 插针 Terminal : 磷青铜 Phos · Bronze Tin · Plated
 焊片 Hook : 黄铜 Brass Tin · Plated

连接器 CONNECTOR

TJC1008-30P



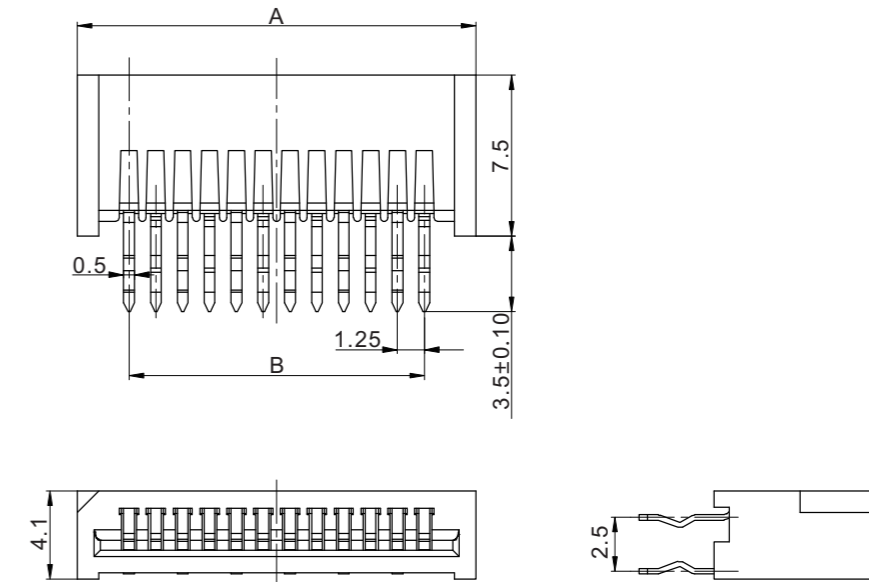
安装尺寸 MOUNTING MEASUREMENT



技术参数 (SPECIFICATIONS)

温度范围 (Temperature range) : -25°C~+85°C
 额定电压 (Voltage rating) : 200V AC/DC
 额定电流 (Current rating) : 1A
 接触电阻 (Contact resistance) : $\leq 0.03 \Omega$
 绝缘电阻 (Insulation resistance) : $\geq 500M \Omega$
 耐压 (Withstand voltage) : 500V AC/minute
 认证 (STANDARDS) : E200881

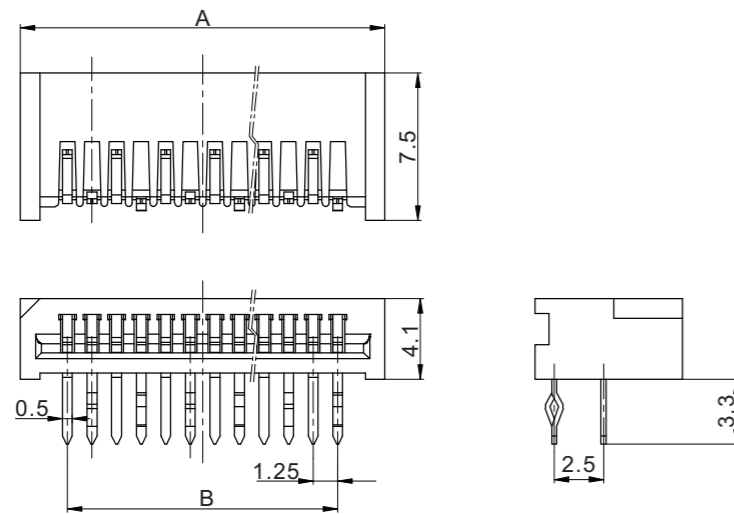
阴连接器(180°) Housing



线数 Poles	型号 Type	尺寸 Dimensions (mm)		线数 Poles	型号 Type	尺寸 Dimensions (mm)	
		A	B			A	B
4	TJC1256-4Y	8.55	3.75	23	TJC1256-23Y	32.30	30.15
5	TJC1256-5Y	9.80	5.00	24	TJC1256-24Y	33.55	31.40
6	TJC1256-6Y	11.05	6.25	25	TJC1256-25Y	34.80	32.65
7	TJC1256-7Y	12.30	7.50	26	TJC1256-26Y	36.05	33.90
8	TJC1256-8Y	13.55	8.75	27	TJC1256-27Y	37.30	35.15
9	TJC1256-9Y	14.80	10.00	28	TJC1256-28Y	38.55	36.40
10	TJC1256-10Y	16.05	11.25	29	TJC1256-29Y	39.80	37.65
11	TJC1256-11Y	17.30	12.50	30	TJC1256-30Y	41.05	38.90
12	TJC1256-12Y	18.55	13.75	31	TJC1256-31Y	42.30	40.15
13	TJC1256-13Y	19.80	15.00	32	TJC1256-32Y	43.55	41.40
14	TJC1256-14Y	21.05	16.25	33	TJC1256-33Y	44.80	42.65
15	TJC1256-15Y	22.30	17.50	34	TJC1256-34Y	46.05	43.90
16	TJC1256-16Y	23.55	18.75	35	TJC1256-35Y	47.30	45.15

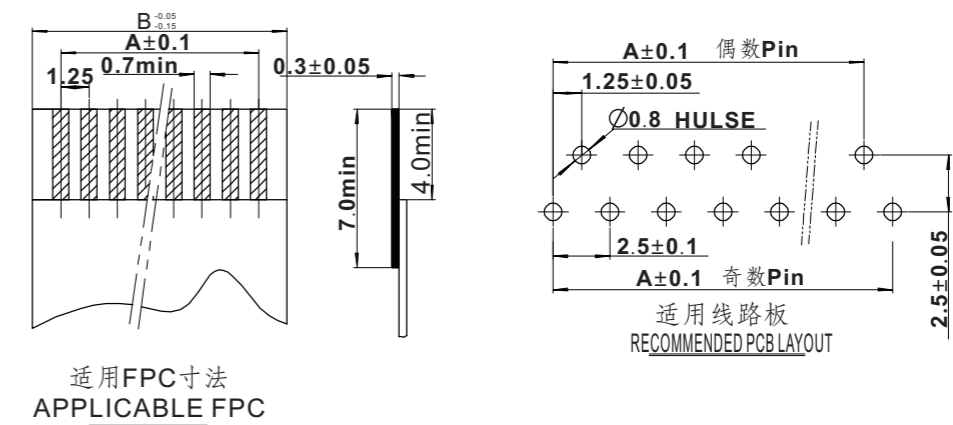
17	TJC1256-17Y	24.80	20.00	36	TJC1256-36Y	48.55	46.40
18	TJC1256-18Y	26.05	21.25	37	TJC1256-37Y	49.80	47.65
19	TJC1256-19Y	27.30	22.50	38	TJC1256-38Y	51.05	48.90
20	TJC1256-20Y	28.55	23.75	39	TJC1256-39Y	52.30	50.15
21	TJC1256-21Y	29.80	25.00	40	TJC1256-40Y	53.55	51.40
22	TJC1256-22Y	31.05	26.25				
材质 · 表面处理 Material and Finish				PA46 UL94V-0 · White			
磷青铜 Phos · bronze				Tin · Plating			

阴连接器(90°) Housing



21	TJC1256-21YW	29.80	25.00	40	TJC1256-40YW	53.55	51.40
22	TJC1256-22YW	31.05	26.25				
材质 · 表面处理 Material and Finish				PA46 UL94V-0 · White			
磷青铜 Phos · bronze				Tin · Plating			

安装尺寸 MOUNTING MEASUREMENT



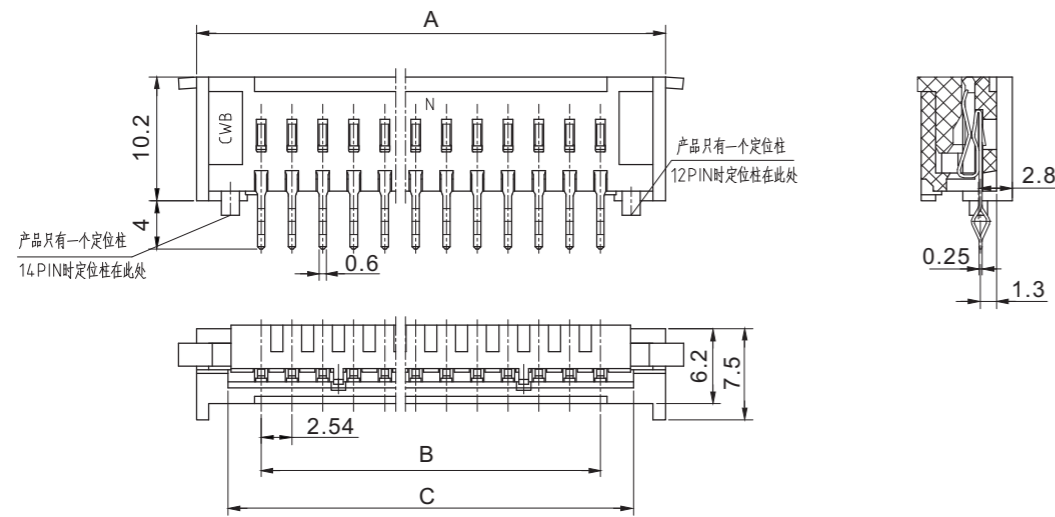
线数 Poles	型号 Type	尺寸 Dimensions (mm)		线数 Poles	型号 Type	尺寸 Dimensions (mm)	
		A	B			A	B
4	TJC1256-4YW	8.55	3.75	23	TJC1256-23YW	32.30	30.15
5	TJC1256-5YW	9.80	5.00	24	TJC1256-24YW	33.55	31.40
6	TJC1256-6YW	11.05	6.25	25	TJC1256-25YW	34.80	32.65
7	TJC1256-7YW	12.30	7.50	26	TJC1256-26YW	36.05	33.90
8	TJC1256-8YW	13.55	8.75	27	TJC1256-27YW	37.30	35.15
9	TJC1256-9YW	14.80	10.00	28	TJC1256-28YW	38.55	36.40
10	TJC1256-10YW	16.05	11.25	29	TJC1256-29YW	39.80	37.65
11	TJC1256-11YW	17.30	12.50	30	TJC1256-30YW	41.05	38.90
12	TJC1256-12YW	18.55	13.75	31	TJC1256-31YW	42.30	40.15
13	TJC1256-13YW	19.80	15.00	32	TJC1256-32YW	43.55	41.40
14	TJC1256-14YW	21.05	16.25	33	TJC1256-33YW	44.80	42.65
15	TJC1256-15YW	22.30	17.50	34	TJC1256-34YW	46.05	43.90
16	TJC1256-16YW	23.55	18.75	35	TJC1256-35YW	47.30	45.15
17	TJC1256-17YW	24.80	20.00	36	TJC1256-36YW	48.55	46.40
18	TJC1256-18YW	26.05	21.25	37	TJC1256-37YW	49.80	47.65
19	TJC1256-19YW	27.30	22.50	38	TJC1256-38YW	51.05	48.90
20	TJC1256-20YW	28.55	23.75	39	TJC1256-39YW	52.30	50.15



技术参数 (SPECIFICATIONS)

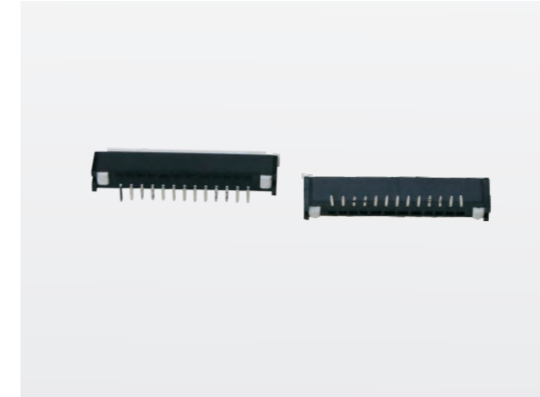
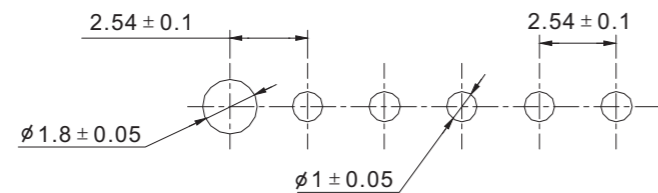
适应基板厚度 (Applicable PC board thickness) : 1.2mm~1.6mm
 温度范围 (Temperature range) : -25℃~85℃
 额定电压 (Voltage rating) : 24V AC/DC
 额定电流 (Current rating) : 0.5A
 绝缘电阻 (Insulation resistance) : $\geq 1000M\Omega$
 耐压 (Withstand voltage) : 1000V AC/minute

阳连接器 (直式) WAFER(180°)



线数 Poles	型号 Type	尺寸 Dimensions(mm)		
		A	B	C
12	TJC25456-12A	38.6	27.94	33.4
14	TJC25456-14A	43.68	33.02	38.48
材质·表面处理 Material and finish		PA66 UL94 -0 · Black ; 磷青铜 镀锡 Phos · bronze Tin · Plated		

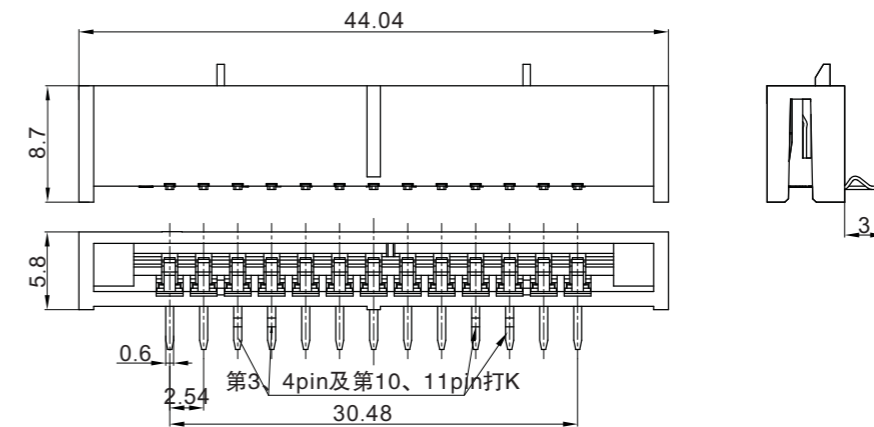
安装尺寸 MOUNTING MEASUREMENT



技术参数 (SPECIFICATIONS)

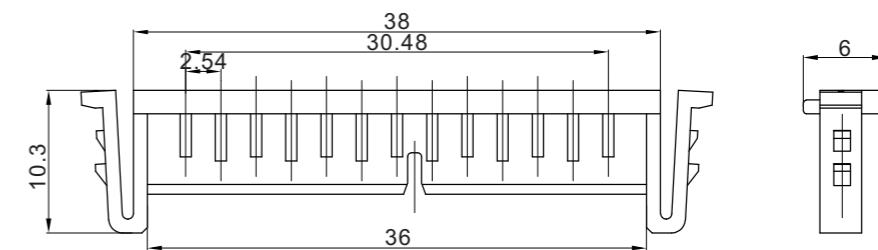
适应基板厚度 (Applicable PC board thickness) : 1.2~1.6 mm
 温度范围 (Temperature range) : -25℃~85℃
 额定电压 (Voltage rating) : 250V AC/DC
 额定电流 (Current rating) : 1A
 接触电阻 (Contact resistance) : $\leq 0.03\Omega$
 绝缘电阻 (Insulation resistance) : $\geq 1000M\Omega$
 耐压 (Withstand voltage) : 1500V AC/minute

阴连接器 HOUSING



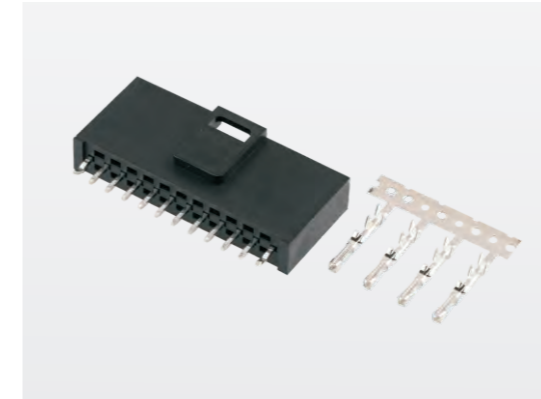
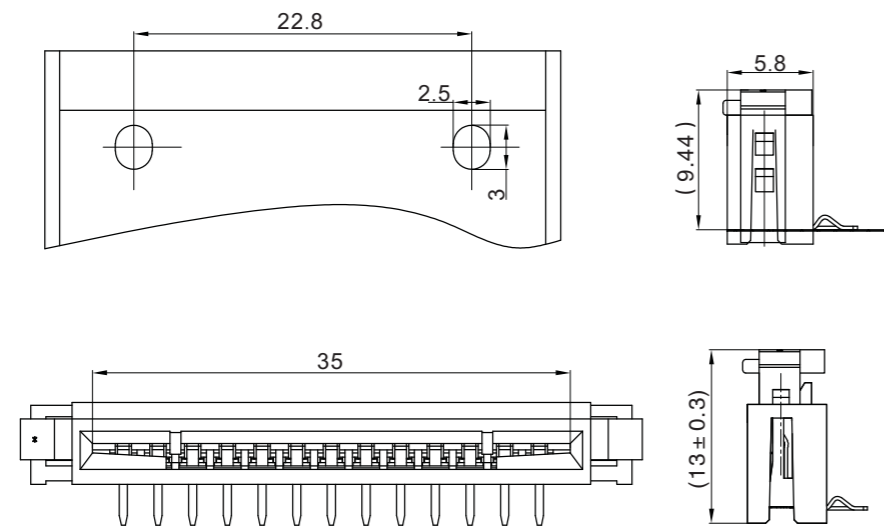
线数 Poles	型号 Type
13	TJC25472-13Y
材质·表面处理 Material and finish	
PBT · 磷青铜 Phos·bronze Tin·Plated	

锁紧片 Lock plate



线数 Poles	型号 Type
13	TJC25472-13YS
材质·表面处理 Material and Finish	
Pa66 UL94 V-2	

安装尺寸 MOUNTING MEASUREMENT

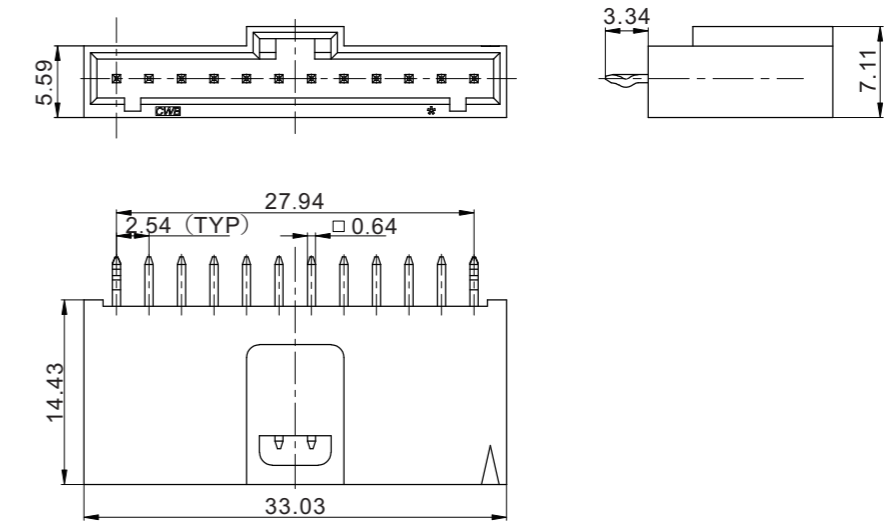


技术参数 (SPECIFICATIONS)

温度范围 (Temperature range) : -40°C~+105°C
 额定电压 (Voltage rating) : 250V AC/DC
 额定电流 (Current rating) : 3A
 接触电阻 (Contact resistance) : ≤0.01Ω
 绝缘电阻 (Insulation resistance) : ≥1000MΩ
 耐电压 (Withstand voltage) : 1500V AC/minute

认证 (STANDARDS) :  E200881

阳连接器Wafer




线数 Poles	型号 Type
12	TJC25475-12A
材质·表面处理 Material and finish Pa66 UL94V-0; 黄铜 镀锡 Brass Tin-Plated	

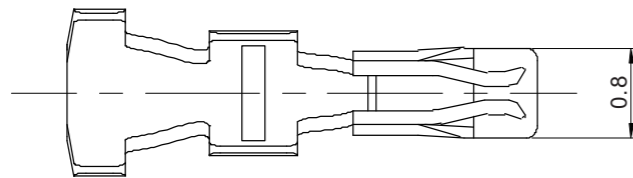
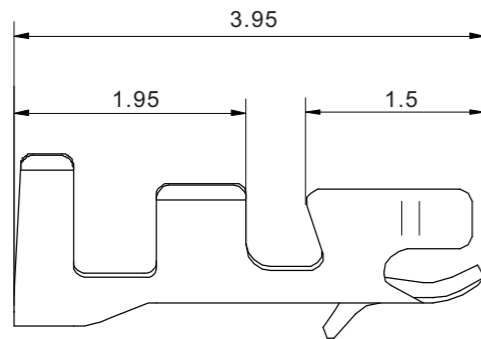


技术参数 (SPECIFICATIONS)

适用线规 (Applicable wires) : AWG30#~28#
 适应基板厚度 (Applicable PC board thickness) : 0.8~1.6 mm
 温度范围 (Temperature range) : -40℃~+105℃
 额定电压 (Voltage rating) : 125V AC/DC
 额定电流 (Current rating) : 1A
 接触电阻 (Contact resistance) : ≤0.02Ω
 绝缘电阻 (Insulation resistance) : ≥100MΩ
 耐压 (Withstand voltage) : 500V AC/minute

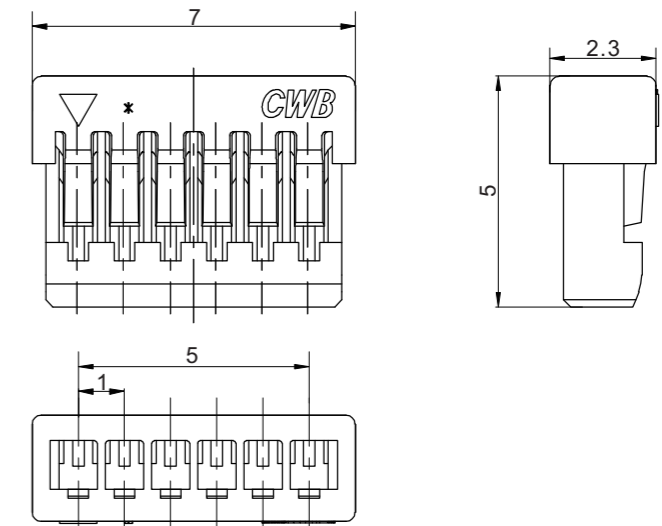
认证 (STANDARDS) :  E200881

端子 Contact



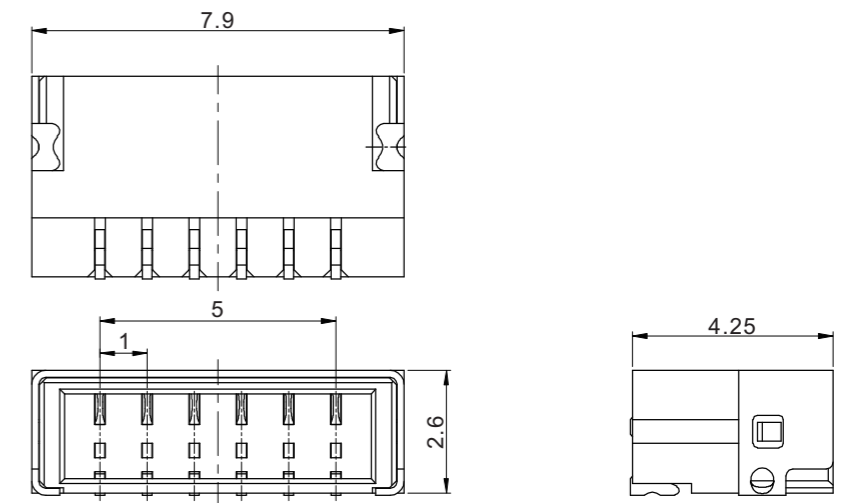
型号 Type	适用导线范围 Wire Range		导线外径 Wire ins.Dis
	mm ²	AWG#	
TJC10020	0.05 ~ 0.08	30 ~ 28	0.82 ~ 0.9
材质 · 表面处理 Material and Finish			
磷青铜 Phos · bronze Tin · Plating			

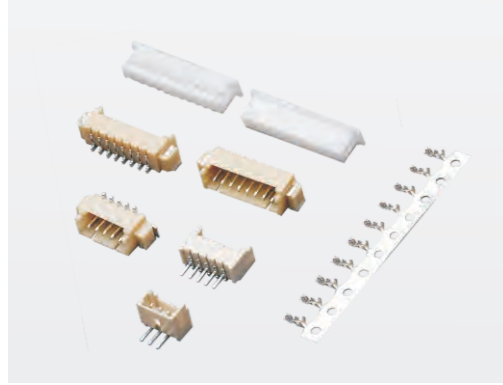
阴连接器 HOUSING



线数 Poles	型号 Type
6	TJC10020-6Y
材质 · 表面处理 Material and Finish PBT UL94V-0 · White	

阳连接器 Wafer

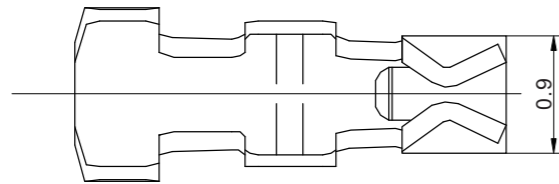
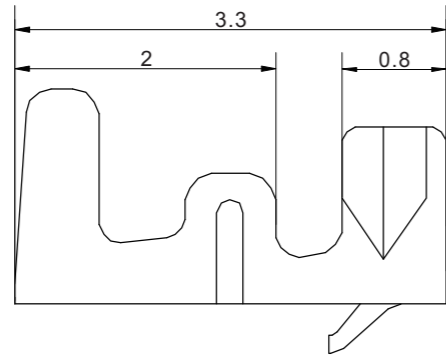




技术参数 (SPECIFICATIONS)

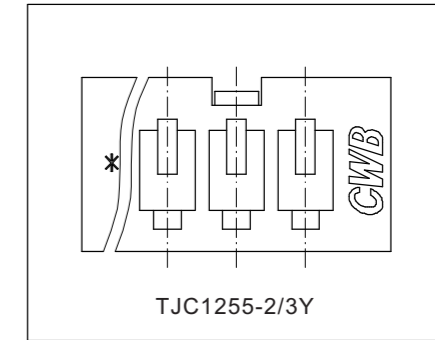
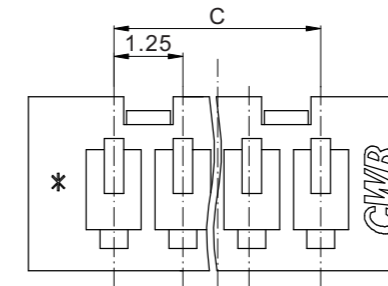
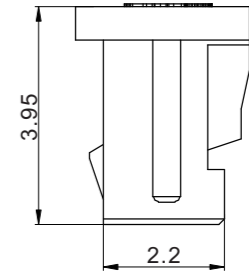
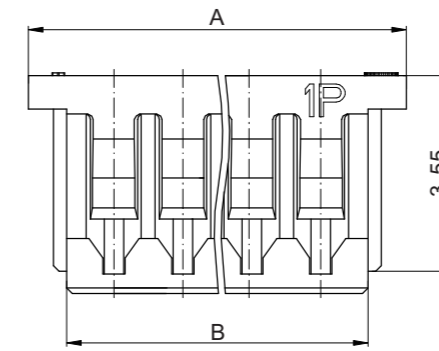
适用线规 (Applicable wires) : AWG28#
 温度范围 (Temperature range) : -25°C~+85°C
 额定电压 (Voltage rating) : 200V AC/DC
 额定电流 (Current rating) : 1A
 接触电阻 (Contact resistance) : $\leq 0.03\Omega$
 绝缘电阻 (Insulation resistance) : $\geq 1000M\Omega$
 耐压 (Withstand voltage) : 1000V AC/minute
 认证 (STANDARDS) : E200881

端子 Contact



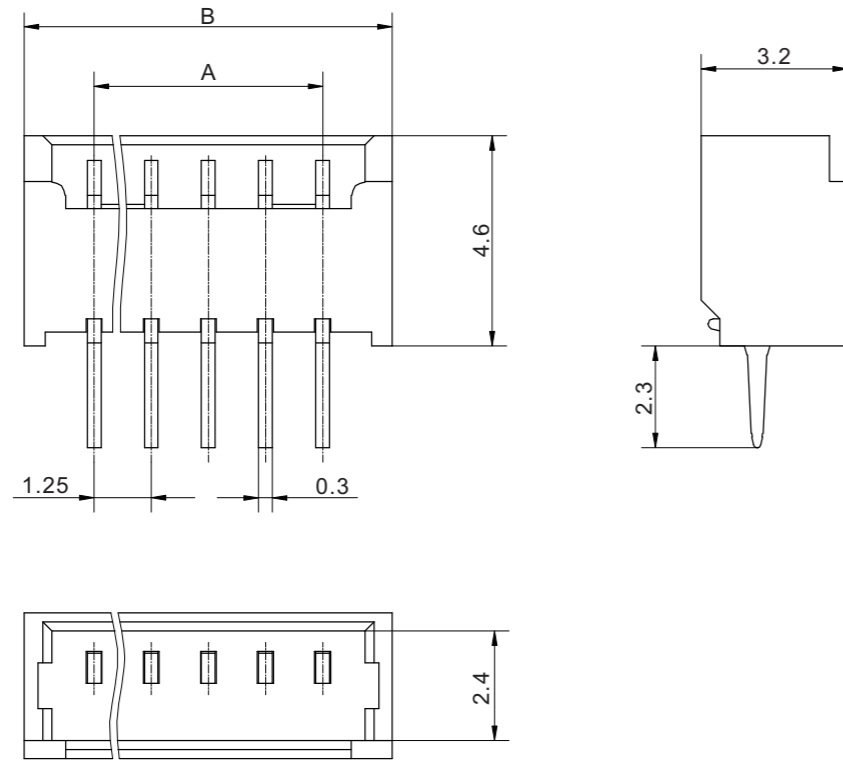
型号 Type	适用导线范围 Wire Range		导线外径 Wire ins.Dis
	mm ²	AWG#	
TJC1255	0.08	28	1.2
材质 · 表面处理 Material and Finish			
磷青铜 Phos · bronze Tin · Plating			

阴连接器 HOUSING

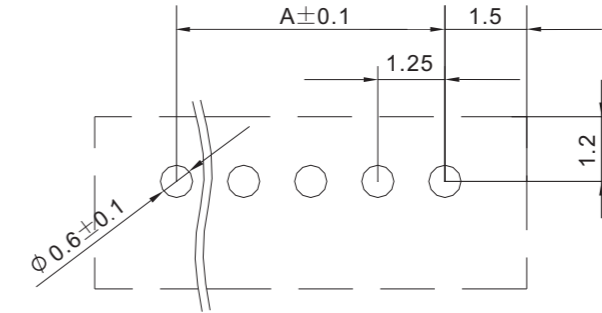


线数 Poles	型号 Type	尺寸 Dimensions (mm)			线数 Poles	型号 Type	尺寸 Dimensions (mm)		
		A	B	C			A	B	C
2	TJC1255-2Y	4.35	2.95	1.25	9	TJC1255-9Y	13.10	11.70	10.00
3	TJC1255-3Y	5.60	4.20	2.50	10	TJC1255-10Y	14.35	12.95	11.25
4	TJC1255-4Y	6.85	5.45	3.75	11	TJC1255-11Y	15.60	14.20	12.50
5	TJC1255-5Y	8.10	6.70	5.00	12	TJC1255-12Y	16.85	15.45	13.75
6	TJC1255-6Y	9.35	7.95	6.25	13	TJC1255-13Y	18.10	16.70	15.00
7	TJC1255-7Y	10.60	9.20	7.50	14	TJC1255-14Y	19.35	17.95	16.25
8	TJC1255-8Y	11.85	10.45	8.75	15	TJC1255-15Y	20.60	19.20	17.50
材质 · 表面处理 Material and Finish				PA66 UL94V-0 · White					

阳连接器 (180°) Wafer

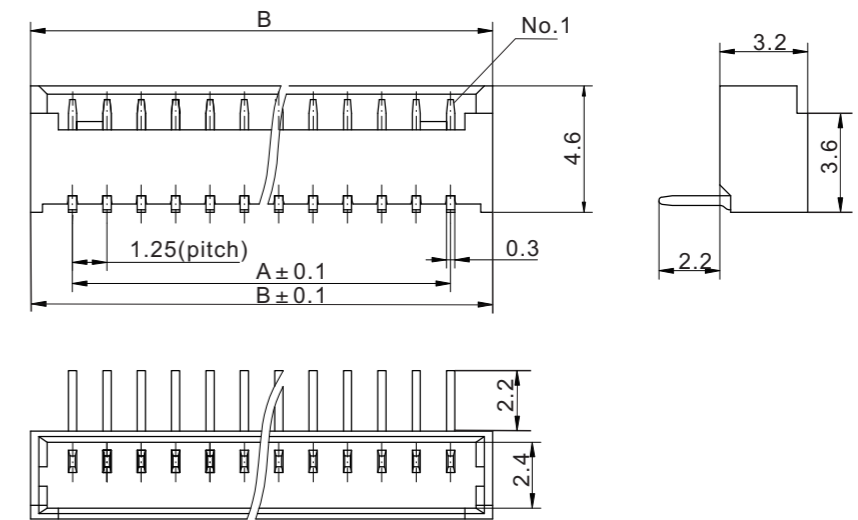


安装尺寸 MOUNTING MEASUREMENT



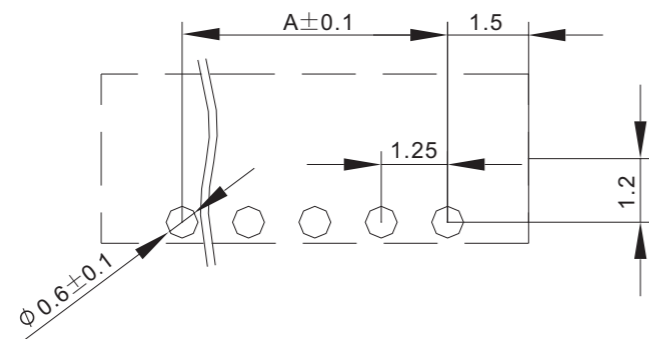
阳连接器 (180°) Wafer

线数 Poles	型号 Type	尺寸 Dimensions (mm)	
		A	B
2	TJC1255-2A	1.25	4.25
3	TJC1255-3A	2.50	5.50
4	TJC1255-4A	3.75	6.75
5	TJC1255-5A	5.00	8.00
6	TJC1255-6A	6.25	9.25
7	TJC1255-7A	7.50	10.50
8	TJC1255-8A	8.75	11.75
9	TJC1255-9A	10.00	13.00
10	TJC1255-10A	11.25	14.25
11	TJC1255-11A	12.50	15.50
12	TJC1255-12A	13.75	16.75
13	TJC1255-13A	15.00	18.00
14	TJC1255-14A	16.25	19.25
15	TJC1255-15A	17.50	20.50
16	TJC1255-16A	18.75	21.75
材质 · 表面处理 Material and Finish		LCP	
UL94V-0 · White; 磷青铜 Phos · bronze Tin · Plating			

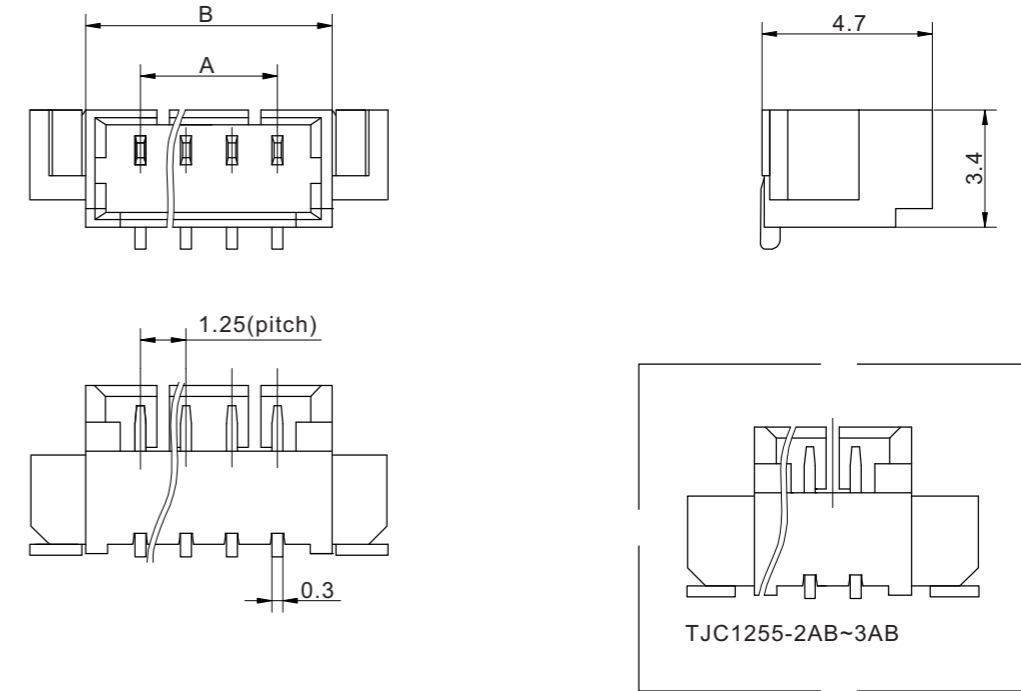


线数 Poles	型号 Type	尺寸 Dimensions (mm)	
		A	B
2	TJC1255-2AW	1.25	4.25
3	TJC1255-3AW	2.50	5.50
4	TJC1255-4AW	3.75	6.75
5	TJC1255-5AW	5.00	8.00
6	TJC1255-6AW	6.25	9.25
7	TJC1255-7AW	7.50	10.50
8	TJC1255-8AW	8.75	11.75
9	TJC1255-9AW	10.00	13.00
10	TJC1255-10AW	11.25	14.25
11	TJC1255-11AW	12.50	15.50
12	TJC1255-12AW	13.75	16.75
13	TJC1255-13AW	15.00	18.00
14	TJC1255-14AW	16.25	19.25
15	TJC1255-15AW	17.50	20.50
16	TJC1255-16AW	18.75	21.75
材质 · 表面处理 Material and Finish PA46 UL94V-0 · White; 磷青铜 Phos · bronze Tin · Plating			

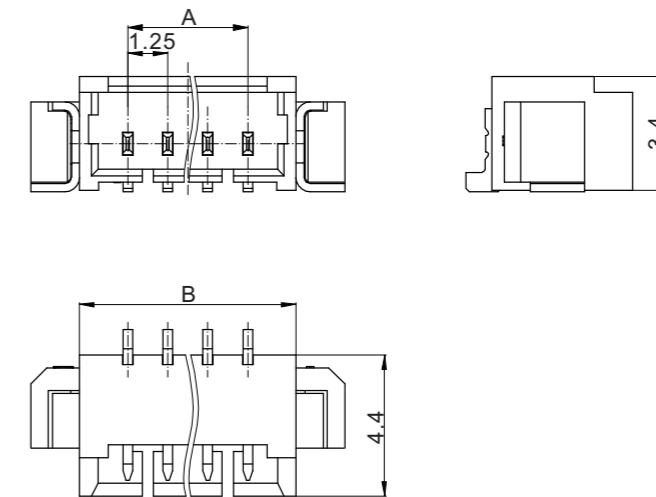
安装尺寸 MOUNTING MEASUREMENT



阳连接器 (180°) Wafer (SMT)

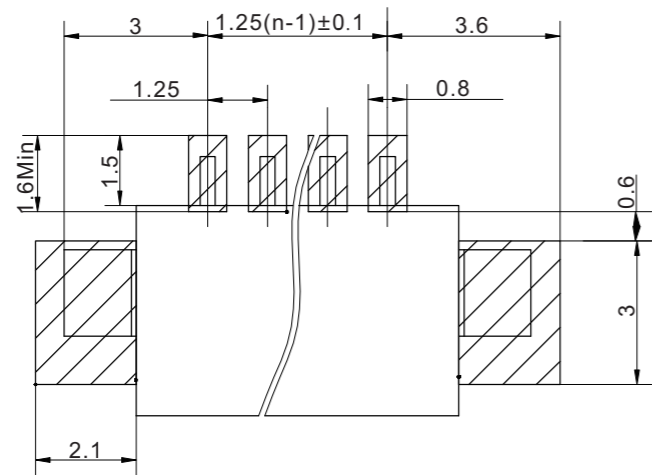


阳连接器 (90°) Wafer (SMT)

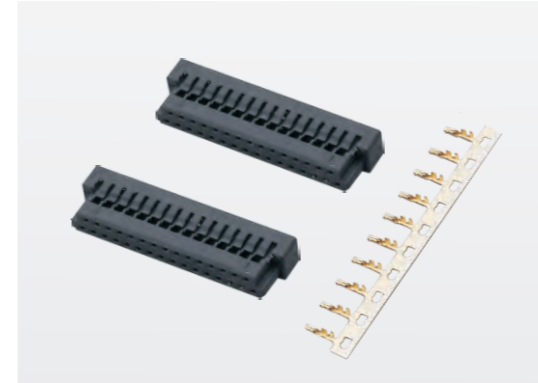


线数 Poles	型号 Type		尺寸 Dimensions (mm)	
	SMT (180°)	SMT (90°)	A	B
2	TJC1255-2AB	TJC1255-2AWB	1.25	4.25
3	TJC1255-3AB	TJC1255-3AWB	2.50	5.50
4	TJC1255-4AB	TJC1255-4AWB	3.75	6.75
5	TJC1255-5AB	TJC1255-5AWB	5.00	8.00
6	TJC1255-6AB	TJC1255-6AWB	6.25	9.25
7	TJC1255-7AB	TJC1255-7AWB	7.50	10.50
8	TJC1255-8AB	TJC1255-8AWB	8.75	11.75
9	TJC1255-9AB	TJC1255-9AWB	10.00	13.00
10	TJC1255-10AB	TJC1255-10AWB	11.25	14.25
11	TJC1255-11AB	TJC1255-11AWB	12.50	15.50
12	TJC1255-12AB	TJC1255-12AWB	13.75	16.75
13	TJC1255-13AB	TJC1255-13AWB	15.00	18.00
14	TJC1255-14AB	TJC1255-14AWB	16.25	19.25
15	TJC1255-15AB	TJC1255-15AWB	17.50	20.50
16	TJC1255-16AB	TJC1255-16AWB	18.75	21.75
材质 · 表面处理 Material and Finish PA9T UL94V-0 · White; 磷青铜 Phos · bronze Tin · Plating				

安装尺寸 MOUNTING MEASUREMENT



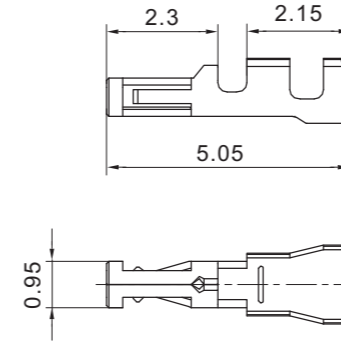
PCB LAYOUT



技术参数 (SPECIFICATIONS)

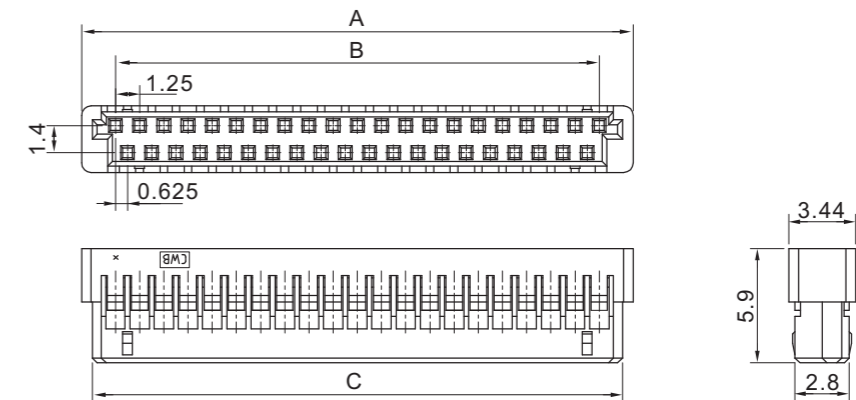
适用线规 (Applicable wires) : AWG28#~32#
 温度范围 (Temperature range) : -25°C~85°C
 额定电压 (Voltage rating) : 200V AC/DC
 额定电流 (Current rating) : 1A
 接触电阻 (Contact resistance) : ≤0.04Ω
 绝缘电阻 (Insulation resistance) : ≥1000MΩ
 耐压 (Withstand voltage) : 500V AC/minute

端子 TERMINAL



型号 Type	适用导线范围 Wire Range		导线外径 Wire ins.Dis
	mm ²	AWG#	
TJC1257插簧	0.08~0.032	28~32	0.9~0.5
材质 · 表面处理 Material and Finish 磷青铜 镀金 Phos · bronze Au · Plated			

阴连接器 HOUSING



线数 Poles	型号 Type	尺寸 Dimensions(mm)			线数 Poles	型号 Type	尺寸 Dimensions(mm)		
		A	B	C			A	B	C
13	TJC1257-13Y	11.00	7.50	9.90	21	TJC1257-21Y	16.00	12.50	14.90
15	TJC1257-15Y	12.25	8.75	11.15	31	TJC1257-31Y	22.25	18.75	21.15
17	TJC1257-17Y	13.50	10.00	12.40	41	TJC1257-41Y	28.50	25.00	27.40
19	TJC1257-19Y	14.75	11.25	13.65					
材质 · 表面处理 Material and Finish						PA66 UL94V-0 · Black			

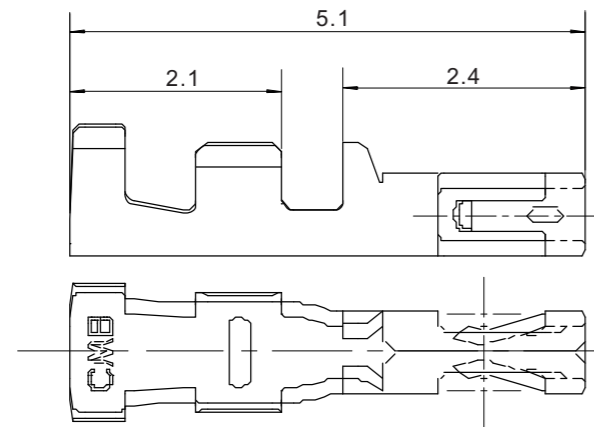


技术参数 (SPECIFICATIONS)

适用线规 (Applicable wires) : AWG32#~AWG26#
 适应基板厚度 (Applicable PC board thickness) : 0.8~1.6 mm
 温度范围 (Temperature range) : -25°C~+85°C
 额定电压 (Voltage rating) : 125V AC/DC
 额定电流 (Current rating) : 1A
 接触电阻 (Contact resistance) : ≤0.03Ω
 绝缘电阻 (Insulation resistance) : ≥100MΩ
 耐压 (Withstand voltage) : 250V AC/minute

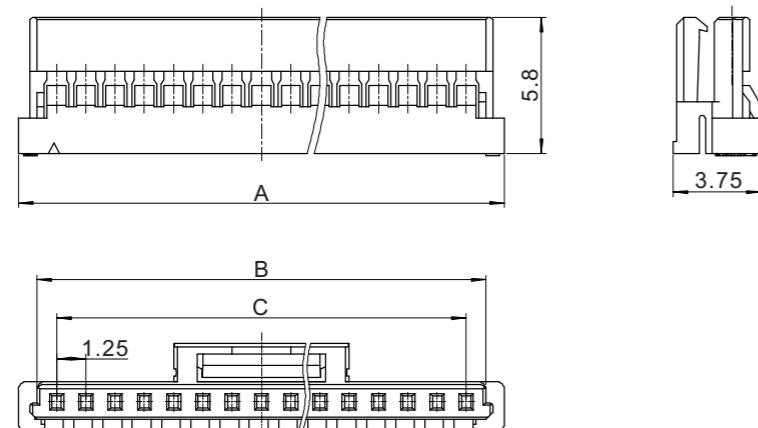
认证 (STANDARDS) : E200881

端子 Contact



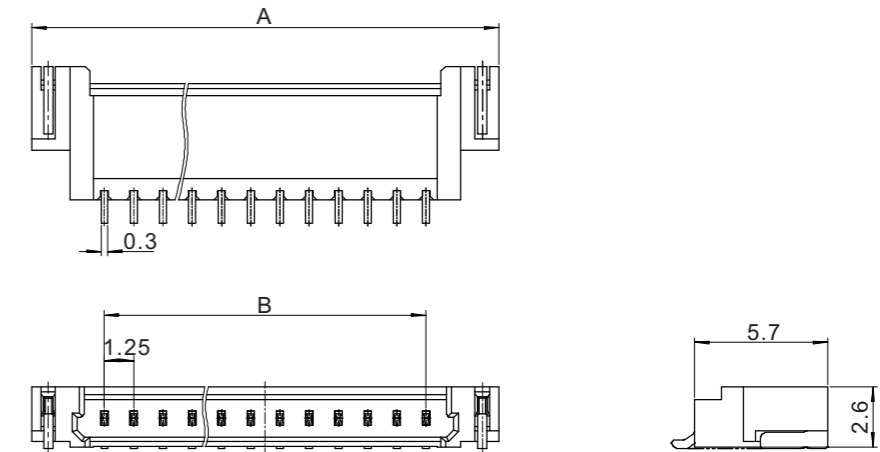
型号 Type	适用导线范围 Wire Range		导线外径 Wire ins.Dis
	mm ²	AWG#	
TJC12510 插簧	0.03 ~ 0.13	32 ~ 26	0.9 ~ 1.3
材质 · 表面处理 Material and Finish			
磷青铜 Phos · bronze Tin · Plating			

阴连接器 Housing



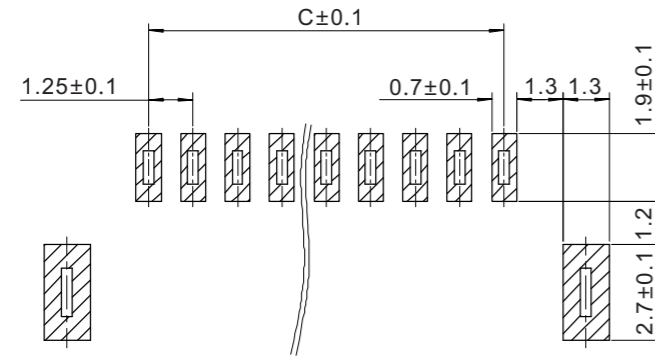
线数 Poles	型号 Type	尺寸 Dimensions (mm)			线数 Poles	型号 Type	尺寸 Dimensions (mm)		
		A	B	C			A	B	C
2	TJC12510-2Y	4.50	2.90	1.25	11	TJC12510-11Y	15.75	14.15	12.50
3	TJC12510-3Y	5.75	4.15	2.50	12	TJC12510-12Y	17.00	15.40	13.75
4	TJC12510-4Y	7.00	5.40	3.75	13	TJC12510-13Y	18.25	16.65	15.00
5	TJC12510-5Y	8.25	6.65	5.00	14	TJC12510-14Y	19.50	17.90	16.25
6	TJC12510-6Y	9.50	7.90	6.25	15	TJC12510-15Y	20.75	19.15	17.50
7	TJC12510-7Y	10.75	9.15	7.50	20	TJC12510-20Y	27.00	25.40	23.75
8	TJC12510-8Y	12.00	10.40	8.75	22	TJC12510-22Y	29.50	27.90	26.25
9	TJC12510-9Y	13.25	11.65	10.00	25	TJC12510-25Y	33.25	31.65	30.00
10	TJC12510-10Y	14.50	12.90	11.25	30	TJC12510-30Y	39.50	37.90	36.25
材质 · 表面处理 Material and Finish				PBT UL94V-0					

阳连接器 (180°)



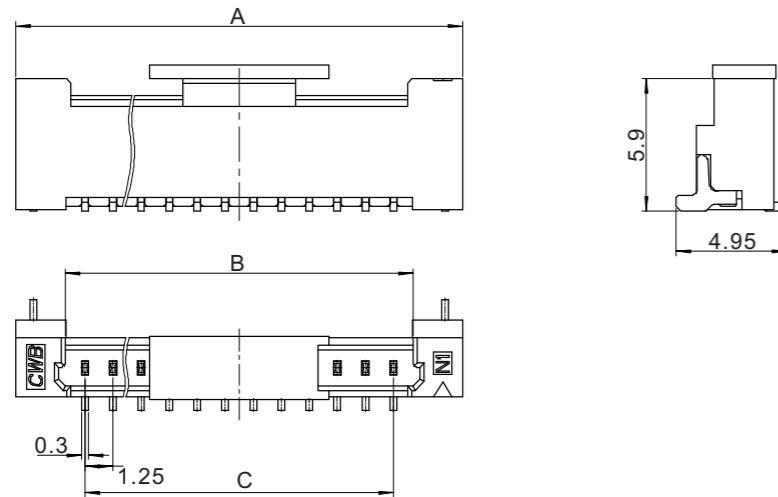
线数 Poles	型号 Type	尺寸 Dimensions (mm)			线数 Poles	型号 Type	尺寸 Dimensions (mm)		
		A	B	C			A	B	C
3	TJC12510-3A	8.70	4.25	2.50	10	TJC12510-10A	17.45	13.00	11.25
4	TJC12510-4A	9.95	5.50	3.75	11	TJC12510-11A	18.70	14.25	12.50
5	TJC12510-5A	11.20	6.75	5.00	12	TJC12510-12A	19.95	15.50	13.75
6	TJC12510-6A	12.45	8.00	6.25	13	TJC12510-13A	21.20	16.75	15.00
7	TJC12510-7A	13.70	9.25	7.50	14	TJC12510-14A	22.45	18.00	16.25
8	TJC12510-8A	14.95	10.50	8.75	15	TJC12510-15A	23.70	19.25	17.50
9	TJC12510-9A	16.20	11.75	10.00					
材质 · 表面处理 Material and Finish				PPS UL94V-0					
				磷青铜 Phos · bronze Tin · Plating					
				LCP UL94V-0					

安装尺寸 MOUNTING MEASUREMENT

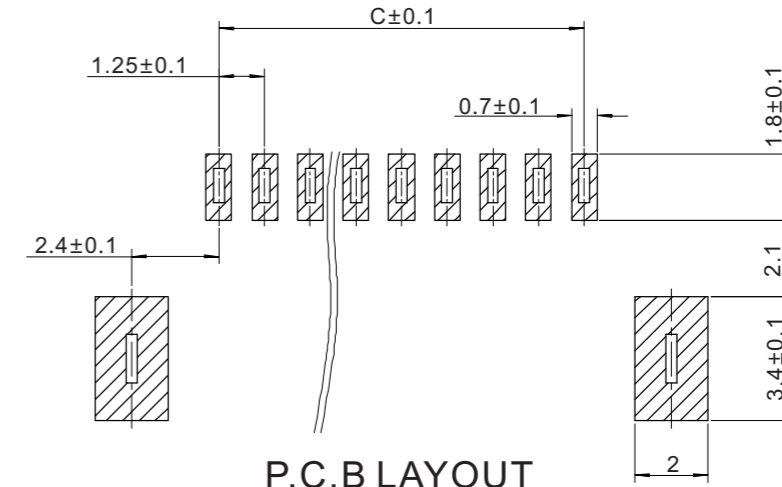


P.C.B LAYOUT

阳连接器 (90°) Wafer

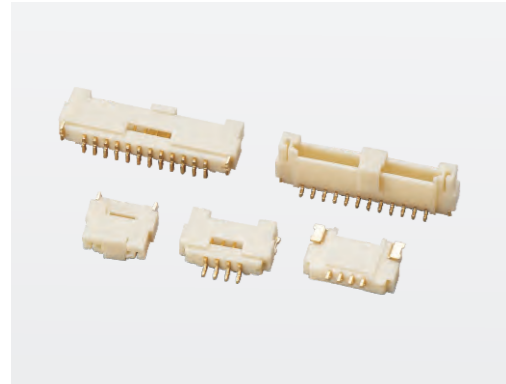


安装尺寸 MOUNTING MEASUREMENT




P.C.B LAYOUT

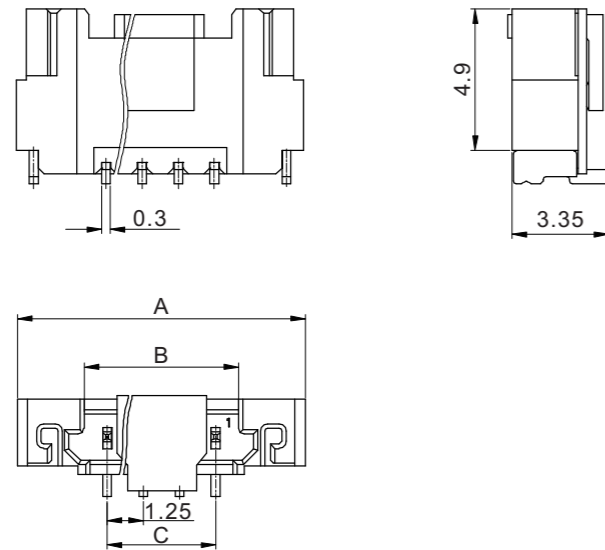
线数 Poles	型号 Type	尺寸 Dimensions (mm)			线数 Poles	型号 Type	尺寸 Dimensions (mm)		
		A	B	C			A	B	C
2	TJC12510-2A	7.45	3.00	1.25	11	TJC12510-11A	18.70	14.25	12.50
3	TJC12510-3A	8.70	4.25	2.50	12	TJC12510-12A	19.95	15.50	13.75
4	TJC12510-4A	9.95	5.50	3.75	13	TJC12510-13A	21.20	16.75	15.00
5	TJC12510-5A	11.20	6.75	5.00	14	TJC12510-14A	22.45	18.00	16.25
6	TJC12510-6A	12.45	8.00	6.25	15	TJC12510-15A	23.70	19.25	17.50
7	TJC12510-7A	13.70	9.25	7.50	20	TJC12510-20A	29.95	25.50	23.75
8	TJC12510-8A	14.95	10.50	8.75	22	TJC12510-22A	32.45	28.00	26.25
9	TJC12510-9A	16.20	11.75	10.00	25	TJC12510-25A	36.20	31.75	30.00
10	TJC12510-10A	17.45	13.00	11.25	30	TJC12510-30A	42.45	38.00	36.25
材质 · 表面处理 Material and Finish									
黄铜 Brass Tin · Plating									
LCP UL94V-0									



技术参数 (SPECIFICATIONS)

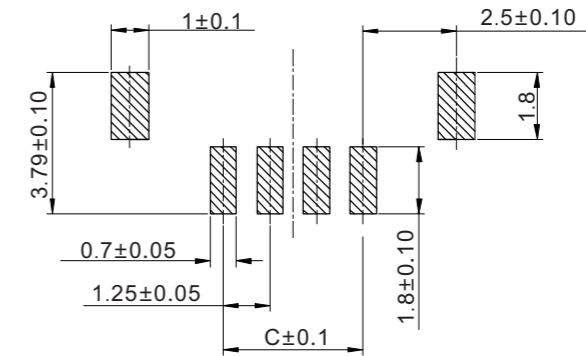
温度范围 (Temperature range) : $-25^{\circ}\text{C}\sim+85^{\circ}\text{C}$
 额定电压 (Voltage rating) : 150V AC/DC
 额定电流 (Current rating) : 1A
 接触电阻 (Contact resistance) : $\leq 0.03\Omega$
 绝缘电阻 (Insulation resistance) : $\geq 500\text{M}\Omega$
 耐压 (Withstand voltage) : 500V AC/minute
 认证 (STANDARDS) :  E200881

阳连接器 (180°) Wafer



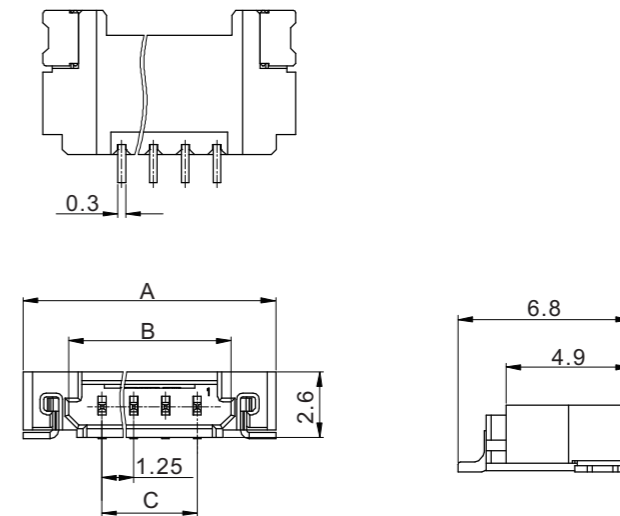
线数 Poles	型号 Type	尺寸 Dimensions (mm)		
		A	B	C
2	TJC12511-2A	7.45	2.85	1.25
3	TJC12511-3A	8.70	4.10	2.50
4	TJC12511-4A	9.95	5.35	3.75
5	TJC12511-5A	11.20	6.60	5.00
6	TJC12511-6A	12.45	7.85	6.25
7	TJC12511-7A	13.70	9.10	7.50
8	TJC12511-8A	14.95	10.35	8.75
9	TJC12511-9A	16.20	11.60	10.00
10	TJC12511-10A	17.45	12.85	11.25
12	TJC12511-12A	19.95	15.35	13.75
材质·表面处理 Material and Finish		PA66 UL94V-0		
黄铜 Brass Au·Plating				
		PA66 UL94V-0/ PA4T UL94V-0		

安装尺寸 MOUNTING MEASUREMENT



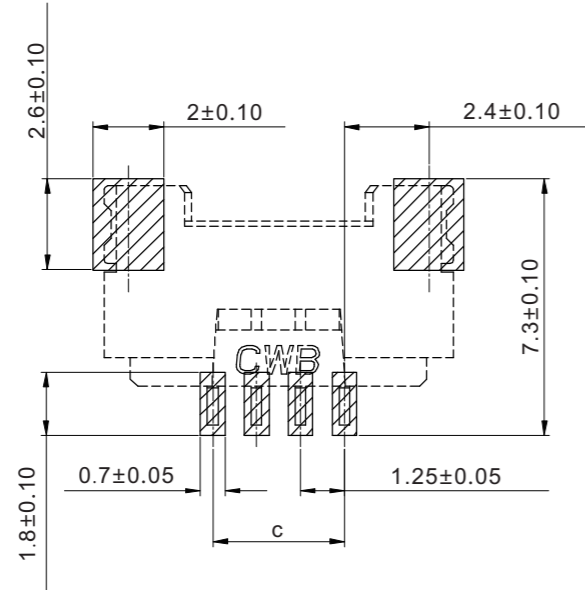
PCB LAYOUT

阳连接器 (90°) Wafer



线数 Poles	型号 Type	尺寸 Dimensions (mm)		
		A	B	C
2	TJC12511-2AW	7.45	2.85	1.25
3	TJC12511-3AW	8.70	4.10	2.50
4	TJC12511-4AW	9.95	5.35	3.75
5	TJC12511-5AW	11.20	6.60	5.00
6	TJC12511-6AW	12.45	7.85	6.25
7	TJC12511-7AW	13.70	9.10	7.50
8	TJC12511-8AW	14.95	10.35	8.75
9	TJC12511-9AW	16.20	11.60	10.00
10	TJC12511-10AW	17.45	12.85	11.25
12	TJC12511-12AW	19.95	15.35	13.75
材质·表面处理 Material and Finish		PA66 UL94V-0		
黄铜 Brass Au·Plating				
		PA66 UL94V-0/ PA4T UL94V-0		

安装尺寸 MOUNTING MEASUREMENT




PCB LAYOUT

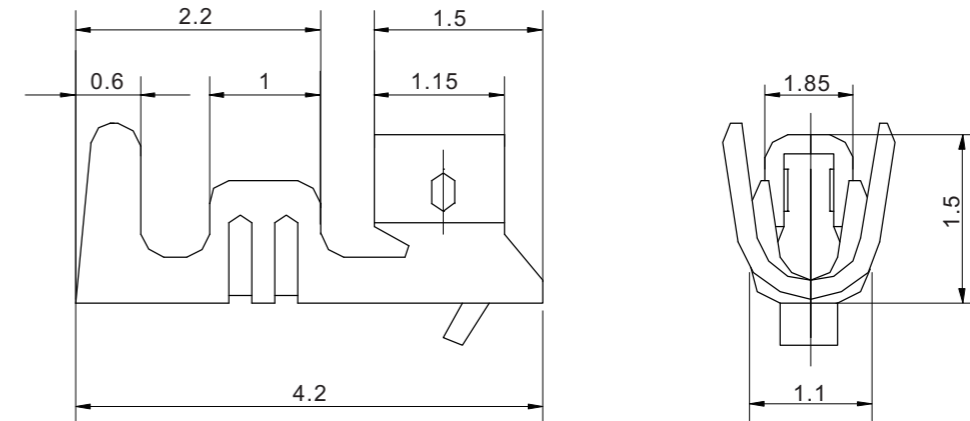


技术参数 (SPECIFICATIONS)

适用线规 (Applicable wires) : AWG30#~26#
 适应基板厚度 (Applicable PC board thickness) : 1.6 mm
 温度范围 (Temperature range) : -25℃~85℃
 额定电压 (Voltage rating) : 250V AC/DC
 额定电流 (Current rating) : 1A
 接触电阻 (Contact resistance) : ≤0.01Ω
 绝缘电阻 (Insulation resistance) : ≥1000MΩ
 耐压 (Withstand voltage) : 500V AC/minute

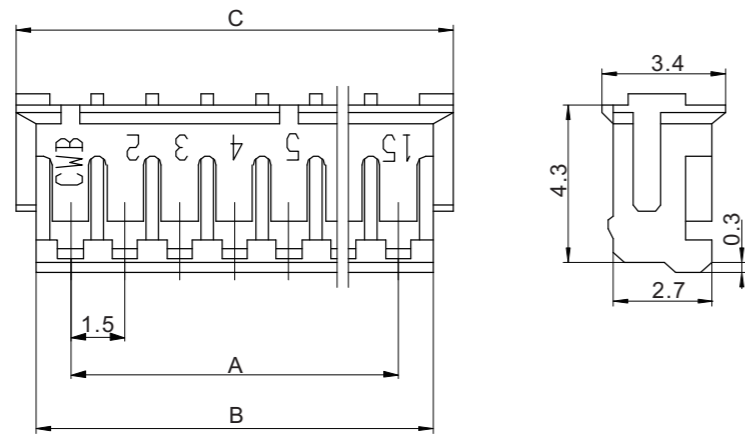
认证 (STANDARDS) :  E200881

端子 TERMINAL



型号 Type	适用导线范围 Wire Range		导线外径 Wire ins.Dis
	mm ²	AWG#	
ZH	0.05 ~ 0.13	30 ~ 26	0.7 ~ 1.1
材质 · 表面处理 Material and Finish			
磷青铜 Phos · bronze Tin · Plated			

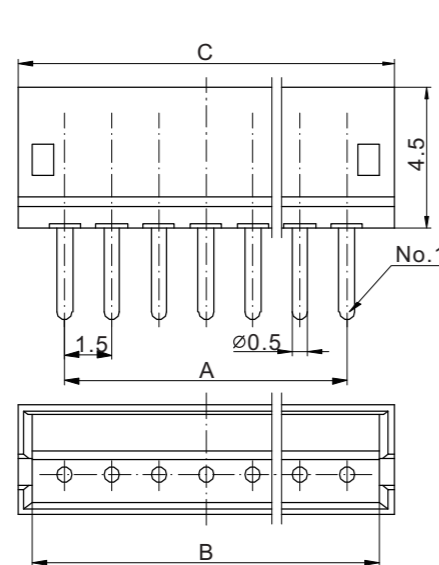
阴连接器 HOUSING



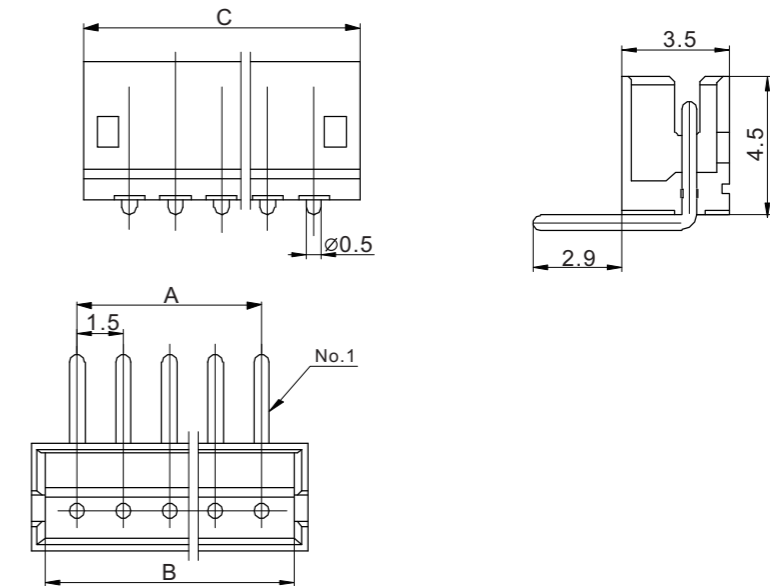
线数 Poles	型号 Type	尺寸 Dimensions (mm)			线数 Poles	型号 Type	尺寸 Dimensions (mm)		
		A	B	C			A	B	C
2	ZH-2Y	1.5	3.4	4.5	9	ZH-9Y	12.0	13.9	15.0
3	ZH-3Y	3.0	4.9	6.0	10	ZH-10Y	13.5	15.4	16.5
4	ZH-4Y	4.5	6.4	7.5	11	ZH-11Y	15.0	16.9	18.0
5	ZH-5Y	6.0	7.9	9.0	12	ZH-12Y	16.5	18.4	19.5
6	ZH-6Y	7.5	9.4	10.5	13	ZH-13Y	18.0	19.9	21.0
7	ZH-7Y	9.0	10.9	12.0	14	ZH-14Y	19.5	21.4	22.5
8	ZH-8Y	10.5	12.4	13.5	15	ZH-15Y	21.0	22.9	24.0

材质 · 表面处理 Material and Finish PA66 UL94V_0 · White
PA66 UL94V_2 · White

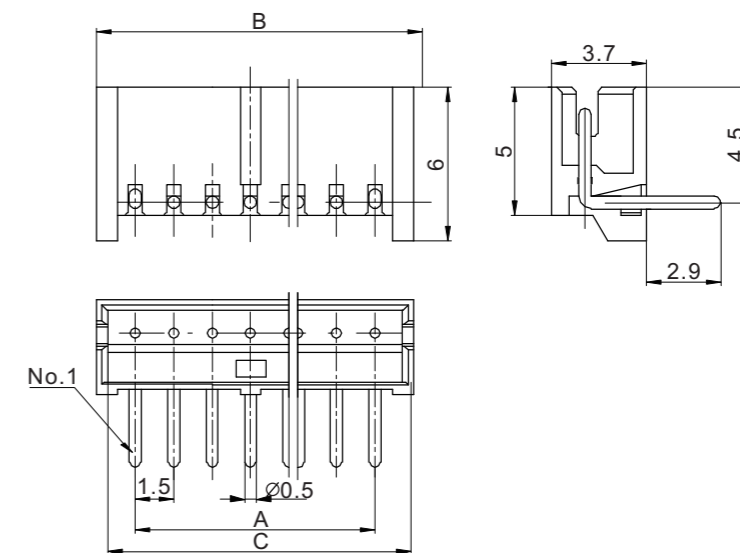
阳连接器 (直式) WAFER (180°)



阳连接器 (弯式) WAFER (90°)



阳连接器 (弯式定位) WAFER (90°)



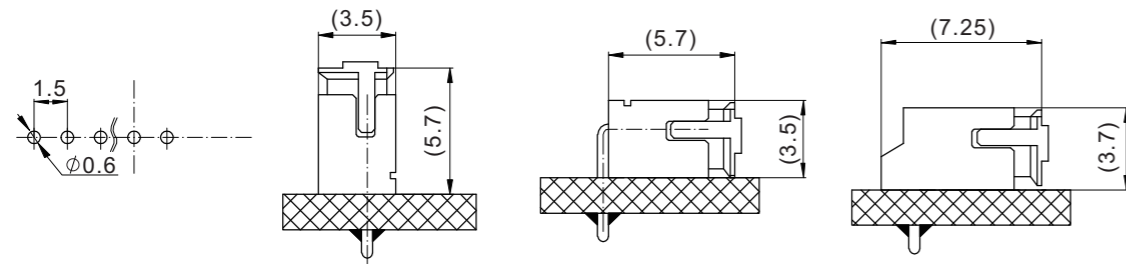
ZH 型条形连接器 ZH Bar Connector

间距 (space) : 1.5mm

线数 Poles	型号 Type			尺寸 Dimensions(mm)			线数 Poles	型号 Type			尺寸 Dimensions(mm)		
	直式 (180°)	弯式 (90°)	弯式定位 (90°)	A	B	C		直式 (180°)	弯式 (90°)	弯式定位 (90°)	A	B	C
2	ZH-2A	ZH-2AW	ZH-2AWJ	1.5	3.6	4.5	9	ZH-9A	ZH-9AW	ZH-9AWJ	12.0	14.1	15.0
3	ZH-3A	ZH-3AW	ZH-3AWJ	3.0	5.1	6.0	10	ZH-10A	ZH-10AW	ZH-10AWJ	13.5	15.6	16.5
4	ZH-4A	ZH-4AW	ZH-4AWJ	4.5	6.6	7.5	11	ZH-11A	ZH-11AW	ZH-11AWJ	15.0	17.1	18.0
5	ZH-5A	ZH-5AW	ZH-5AWJ	6.0	8.1	9.0	12	ZH-12A	ZH-12AW	ZH-12AWJ	16.5	18.6	19.5
6	ZH-6A	ZH-6AW	ZH-6AWJ	7.5	9.6	10.5	13	ZH-13A	ZH-13AW	ZH-13AWJ	18.0	20.1	21.0
7	ZH-7A	ZH-7AW	ZH-7AWJ	9.0	11.1	12.0	14	ZH-14A	ZH-14AW	ZH-14AWJ	19.5	21.6	22.5
8	ZH-8A	ZH-8AW	ZH-8AWJ	10.5	12.6	13.5	15	ZH-15A	ZH-15AW	ZH-15AWJ	21.0	23.1	24.0

材质 · 表面处理 Material and Finish: PA66 UL94V_0 · White; 黄铜 镀锡 Brass Tin · Plated

安装尺寸 MOUNTING MEASUREMENT



TJC1501 型条形连接器 TJC1501 Bar Connector

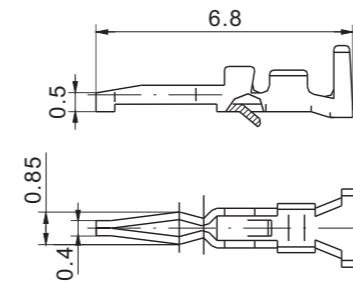
间距 (space) : 1.5mm



技术参数 (SPECIFICATIONS)

温度范围 (Temperature range) : -25°C~85°C
 适应基板厚度 (Applicable PC board thickness) : 1.2~1.6mm
 额定电压 (Voltage rating) : 50V AC/DC
 额定电流 (Current rating) : 0.7A AC/DC
 绝缘电阻 (Insulation resistance) : ≥1000MΩ
 耐压 (Withstand voltage) : 500V AC/minute

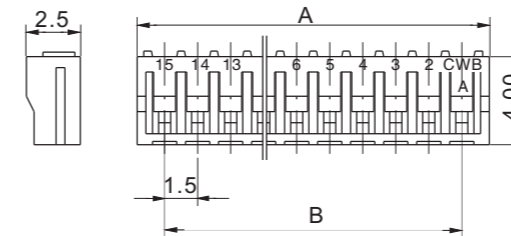
端子 TERMINAL



型号 Type	适用导线范围 Wire Range		导线外径 Wire ins. Dis
	mm ²	AWG#	
TJC1501	0.05 ~ 0.13	30 ~ 26	0.7~1.1

材质 · 表面处理 Material and Finish: 磷青铜 Phos · bronze Tin · Plated

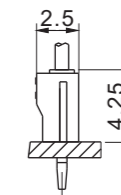
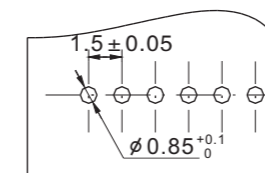
壳体 HOUSING

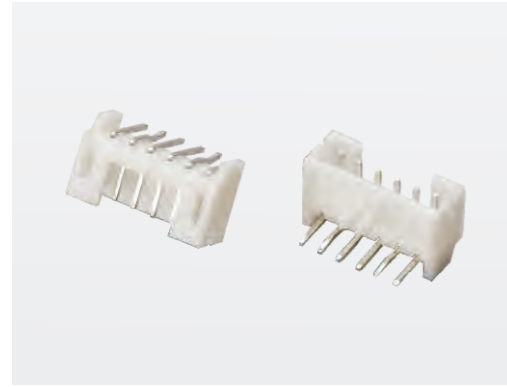


线数 Poles	型号 Type	尺寸 Dimensions(mm)	
		A	B
2	TJC1501-2A	4.0	3.0
3	TJC1501-3A	5.5	4.5
4	TJC1501-4A	7.0	6.0
5	TJC1501-5A	8.5	7.5
6	TJC1501-6A	10.0	9.0
7	TJC1501-7A	11.5	10.5
8	TJC1501-8A	13.0	12.0
9	TJC1501-9A	14.5	13.5
10	TJC1501-10A	16.0	15.0
11	TJC1501-11A	17.5	16.5
12	TJC1501-12A	19.0	18.0
13	TJC1501-13A	20.5	19.5
14	TJC1501-14A	22.0	21.0
15	TJC1501-15A	23.5	22.5

材质 · 表面处理 Material and finish: PA66 UL94V-0

安装尺寸 MOUNTING MEASUREMENT

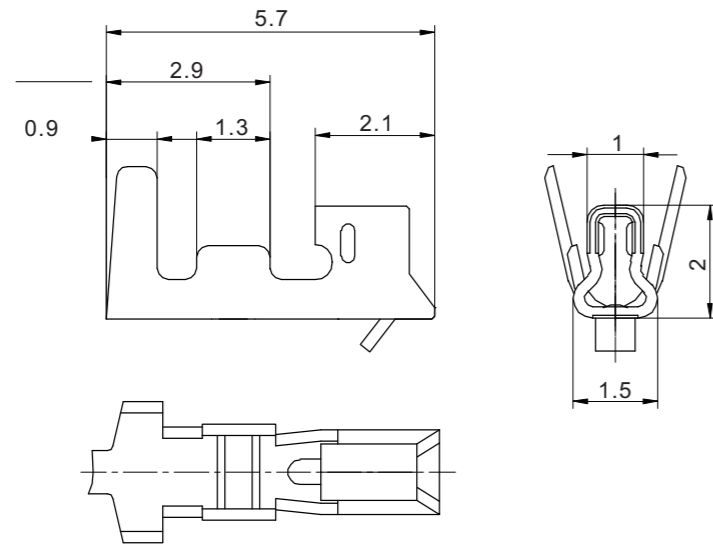




技术参数 (SPECIFICATIONS)

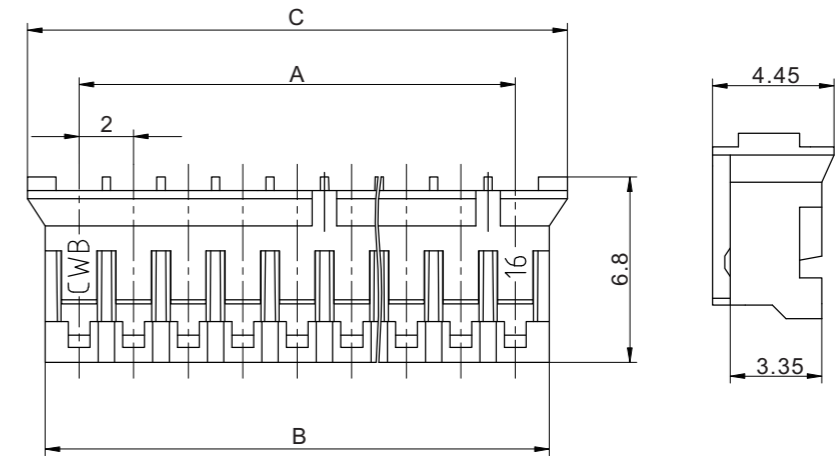
适用线规 (Applicable wires) : AWG28#~AWG22#
 温度范围 (Temperature range) : -25°C~+85°C
 额定电压 (Voltage rating) : 250V AC/DC
 额定电流 (Current rating) : 1.0A (AWG28#)、1.5A (AWG26#)
 2.0A (AWG24#)、2.5A (AWG22#)
 接触电阻 (Contact resistance) : ≤0.01Ω
 绝缘电阻 (Insulation resistance) : ≥1000MΩ
 耐压 (Withstand voltage) : 800V AC/minute
 认证 (STANDARDS) : E200881

端子 Contact



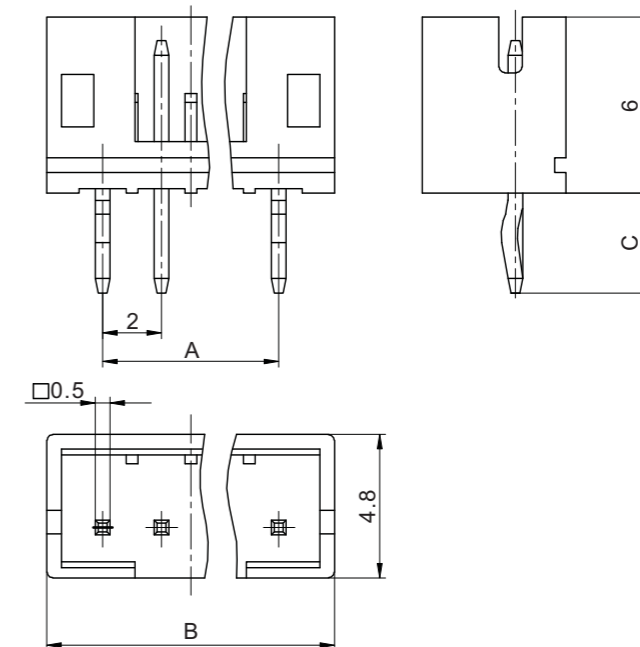
型号 Type	适用导线范围 Wire Range		导线外径 Wire ins.Dis
	mm ²	AWG#	
PH	0.08 ~ 0.32	28 ~ 22	1.2 ~ 1.6
材质·表面处理 Material and Finish			
磷青铜 Phos·bronze Tin·Plating			

阴连接器 Housing



线数 Poles	型号 Type	尺寸 Dimensions (mm)			线数 Poles	型号 Type	尺寸 Dimensions (mm)		
		A	B	C			A	B	C
2	PH-2Y	2.0	4.5	5.8	10	PH-10Y	18.0	20.5	21.8
3	PH-3Y	4.0	6.5	7.8	11	PH-11Y	20.0	22.5	23.8
4	PH-4Y	6.0	8.5	9.8	12	PH-12Y	22.0	24.5	25.8
5	PH-5Y	8.0	10.5	11.8	13	PH-13Y	24.0	26.5	27.8
6	PH-6Y	10.0	12.5	13.8	14	PH-14Y	26.0	28.5	29.8
7	PH-7Y	12.0	14.5	15.8	15	PH-15Y	28.0	30.5	31.8
8	PH-8Y	14.0	16.5	17.8	16	PH-16Y	30.0	32.5	33.8
9	PH-9Y	16.0	18.5	19.8					
材质·表面处理 Material and Finish						PA66 UL94V-0			

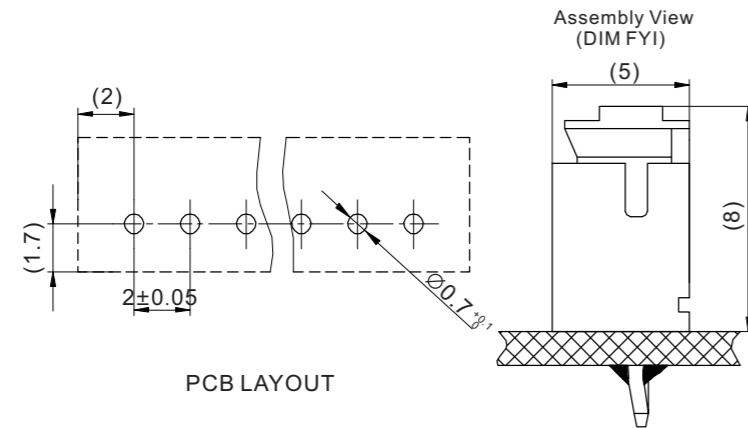
阳连接器 (180°) Wafer



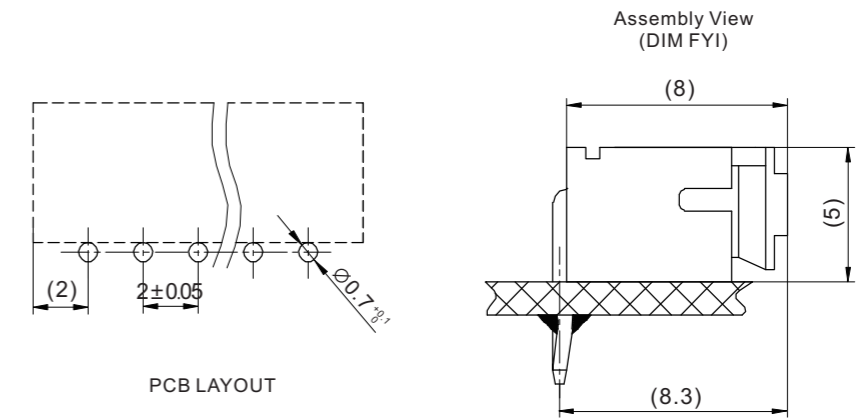
线数 Poles	型号 Type	尺寸 Dimensions (mm)			线数 Poles	型号 Type	尺寸 Dimensions (mm)		
		A	B	C			A	B	C
2	PH-2A	/	6.0	3.4	9	PH-9A	16.0	20.0	3.4
3	PH-3A	4.0	8.0	3.4	10	PH-10A	18.0	22.0	3.4
4	PH-4A	6.0	10.0	3.4	11	PH-11A	20.0	24.0	3.4
5	PH-5A	8.0	12.0	3.4	12	PH-12A	22.0	26.0	3.4
5	PH-5A-2.5	8.0	12.0	2.5	13	PH-13A	24.0	28.0	3.4
6	PH-6A	10.0	14.0	3.4	14	PH-14A	26.0	30.0	3.4
7	PH-7A	12.0	16.0	3.4	15	PH-15A	28.0	32.0	3.4
8	PH-8A	14.0	18.0	3.4	16	PH-16A	30.0	34.0	3.4
材质 · 表面处理 Material and Finish						PA66 UL94V-0/ PA66 UL94V-2; 黄铜 Brass Tin · Plating			

线数 Poles	型号 Type	尺寸 Dimensions (mm)		线数 Poles	型号 Type	尺寸 Dimensions (mm)	
		A	B			A	B
2	PH-2AW	/	6.0	10	PH-10AW	18.0	22.0
3	PH-3AW	4.0	8.0	11	PH-11AW	20.0	24.0
4	PH-4AW	6.0	10.0	12	PH-12AW	22.0	26.0
5	PH-5AW	8.0	12.0	13	PH-13AW	24.0	28.0
6	PH-6AW	10.0	14.0	14	PH-14AW	26.0	30.0
7	PH-7AW	12.0	16.0	15	PH-15AW	28.0	32.0
8	PH-8AW	14.0	18.0	16	PH-16AW	30.0	34.0
9	PH-9AW	16.0	20.0				
材质 · 表面处理 Material and Finish						PA66 UL94V-0/ PA66 UL94V-2; 黄铜 Brass Tin · Plating	

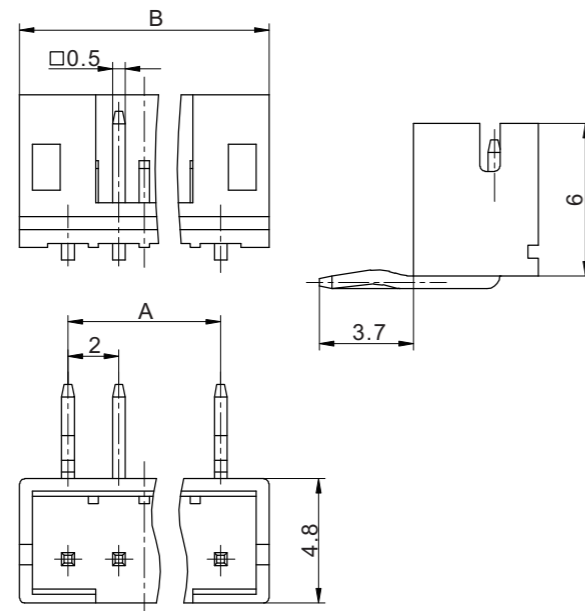
安装尺寸 MOUNTING MEASUREMENT



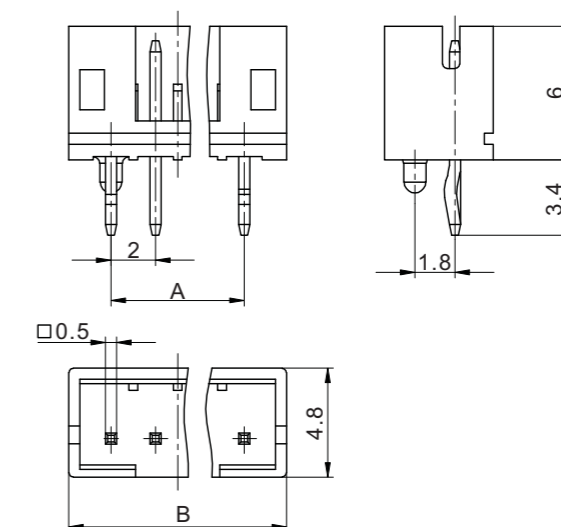
安装尺寸 MOUNTING MEASUREMENT



阳连接器 (90°) Wafer

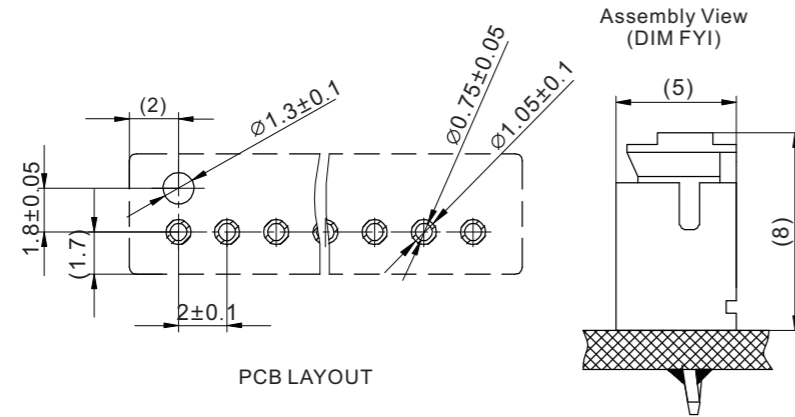


阳连接器 (带定位) (180°) Wafer

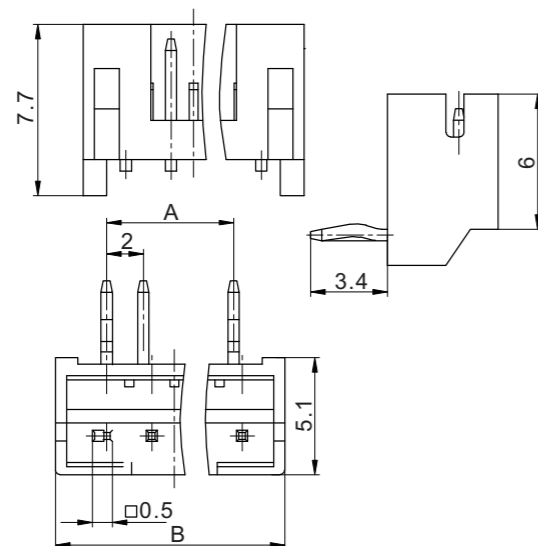


线数 Poles	型号 Type	尺寸 Dimensions (mm)		线数 Poles	型号 Type	尺寸 Dimensions (mm)	
		A	B			A	B
2	PH-2AD	2.0	6.0	10	PH-10AD	18.0	22.0
3	PH-3AD	4.0	8.0	11	PH-11AD	20.0	24.0
4	PH-4AD	6.0	10.0	12	PH-12AD	22.0	26.0
5	PH-5AD	8.0	12.0	13	PH-13AD	24.0	28.0
6	PH-6AD	10.0	14.0	14	PH-14AD	26.0	30.0
7	PH-7AD	12.0	16.0	15	PH-15AD	28.0	32.0
8	PH-8AD	14.0	18.0	16	PH-16AD	30.0	34.0
9	PH-9AD	16.0	20.0				
材质 · 表面处理 Material and Finish				PA66 UL94V-0; 黄铜 Brass Tin · Plating			

安装尺寸 MOUNTING MEASUREMENT

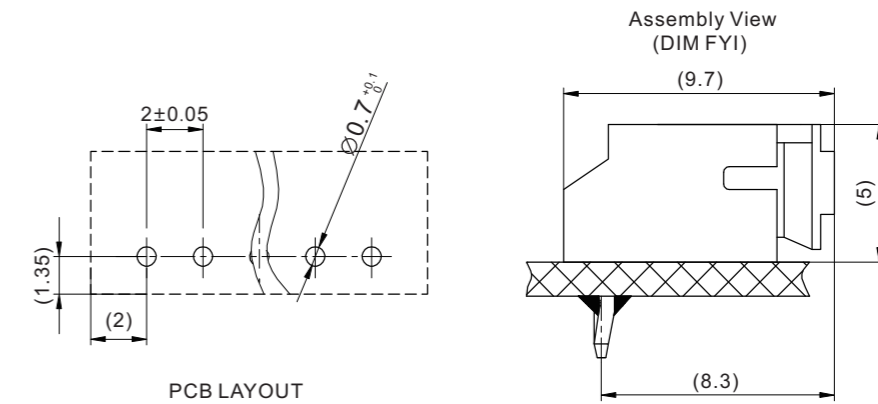


阳连接器 (带定位) (90°) Wafer

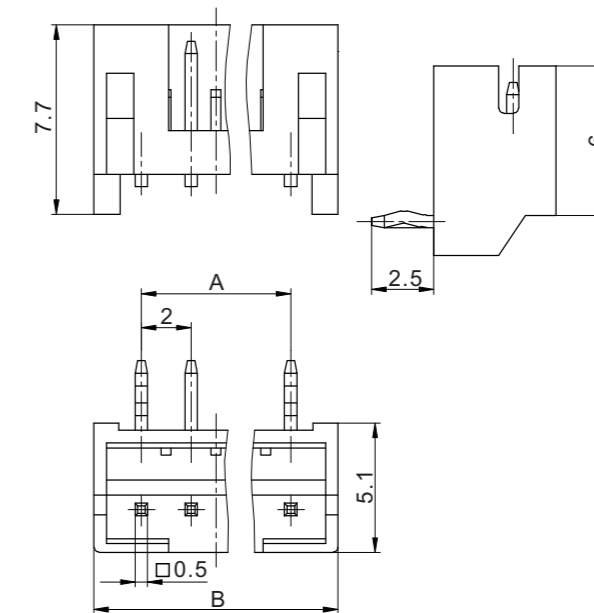


线数 Poles	型号 Type	尺寸 Dimensions (mm)		线数 Poles	型号 Type	尺寸 Dimensions (mm)	
		A	B			A	B
2	PH-2AWJ	/	6.0	10	PH-10AWJ	18.0	22.0
3	PH-3AWJ	4.0	8.0	11	PH-11AWJ	20.0	24.0
4	PH-4AWJ	6.0	10.0	12	PH-12AWJ	22.0	26.0
5	PH-5AWJ	8.0	12.0	13	PH-13AWJ	24.0	28.0
6	PH-6AWJ	10.0	14.0	14	PH-14AWJ	26.0	30.0
7	PH-7AWJ	12.0	16.0	15	PH-15AWJ	28.0	32.0
8	PH-8AWJ	14.0	18.0	16	PH-16AWJ	30.0	34.0
9	PH-9AWJ	16.0	20.0				
材质 · 表面处理 Material and Finish				PA66 UL94V-2; 黄铜 Brass Tin · Plating			

安装尺寸 MOUNTING MEASUREMENT



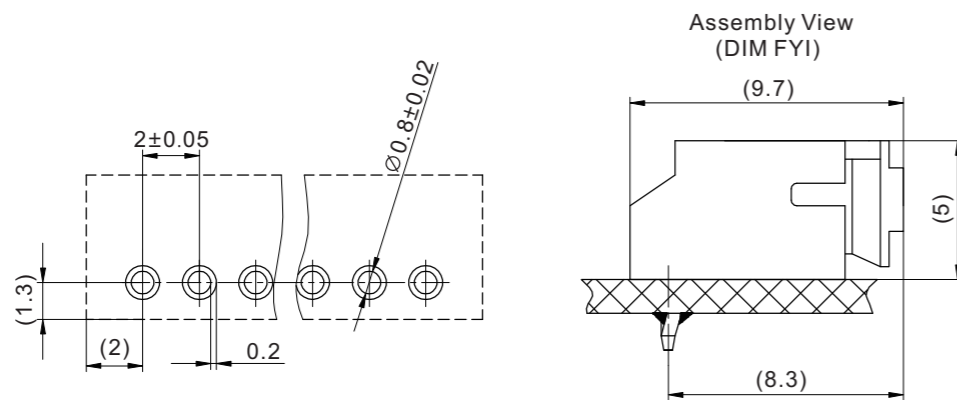
阳连接器 (带定位) (90°) Wafer



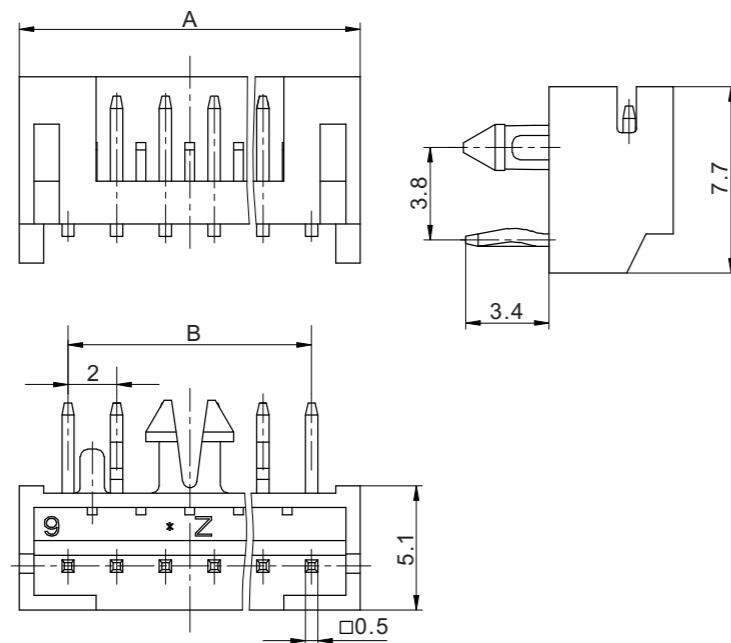
线数 Poles	型号 Type	尺寸 Dimensions (mm)		线数 Poles	型号 Type	尺寸 Dimensions (mm)	
		A	B			A	B
2	PH-2AWJ-2.5	/	6.0	10	PH-10AWJ-2.5	18.0	22.0
3	PH-3AWJ-2.5	4.0	8.0	11	PH-11AWJ-2.5	20.0	24.0
4	PH-4AWJ-2.5	6.0	10.0	12	PH-12AWJ-2.5	22.0	26.0
5	PH-5AWJ-2.5	8.0	12.0	13	PH-13AWJ-2.5	24.0	28.0
6	PH-6AWJ-2.5	10.0	14.0	14	PH-14AWJ-2.5	26.0	30.0
7	PH-7AWJ-2.5	12.0	16.0	15	PH-15AWJ-2.5	28.0	32.0
8	PH-8AWJ-2.5	14.0	18.0	16	PH-16AWJ-2.5	30.0	34.0
9	PH-9AWJ-2.5	16.0	20.0				

材质 · 表面处理 Material and Finish
PA66 UL94V-2; 黄铜
Brass Tin · Plating

安装尺寸 MOUNTING MEASUREMENT



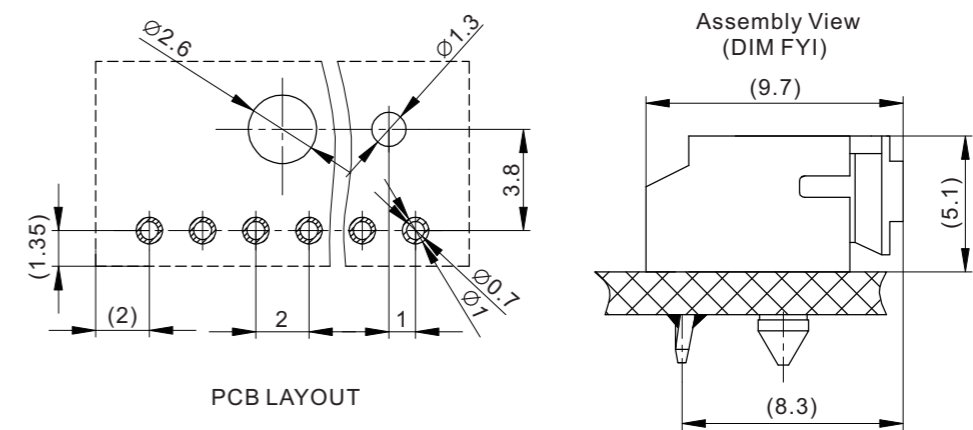
阳连接器 (塑件带定位) (90°) Wafer



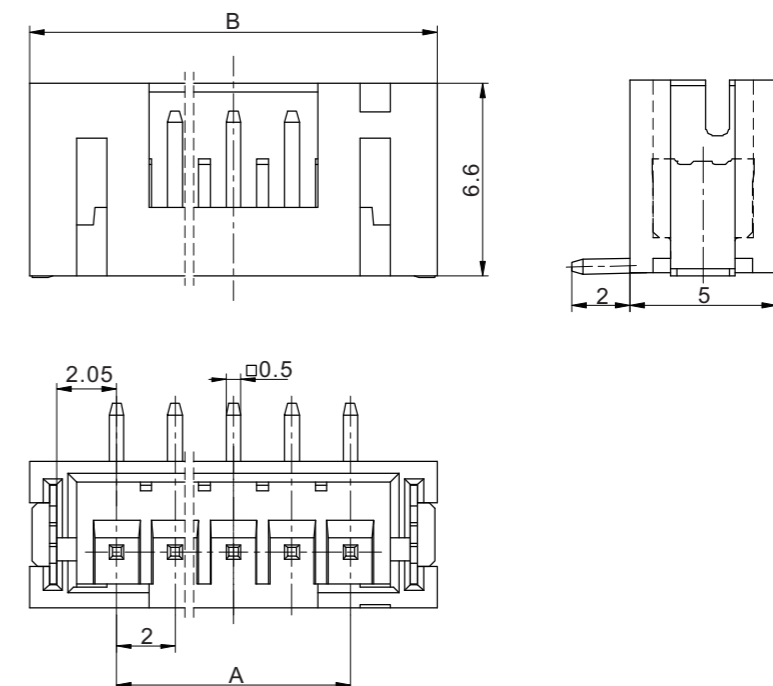
线数 Poles	型号 Type	尺寸 Dimensions (mm)	
		A	B
6	PH-6AWJD	14.0	10.0
7	PH-7AWJD	16.0	12.0

材质 · 表面处理 Material and Finish
铜 Brass Tin · Plating
PA66 UL94V-2; 黄

安装尺寸 MOUNTING MEASUREMENT



阳连接器 (180°) Wafer (SMT)

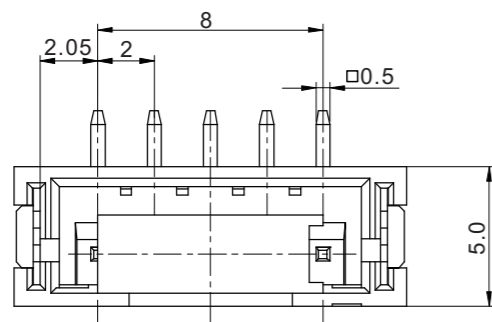
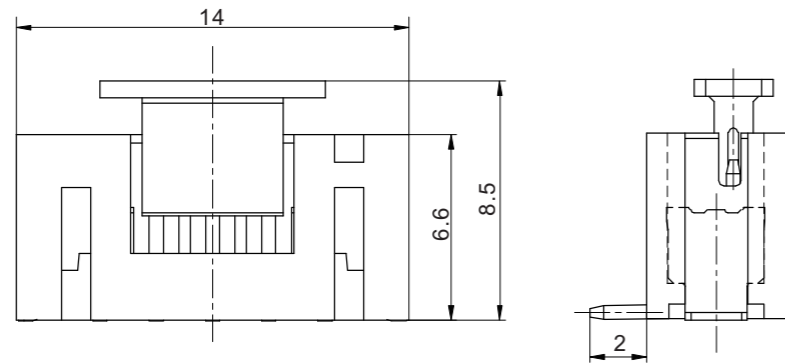


线数 Poles	型号 Type	尺寸 Dimensions (mm)		线数 Poles	型号 Type	尺寸 Dimensions (mm)	
		A	B			A	B
3	PHB-3A	4.0	10.0	10	PHB-10A	18.0	24.0
4	PHB-4A	6.0	12.0	11	PHB-11A	20.0	26.0
5	PHB-5A	8.0	14.0	12	PHB-12A	22.0	28.0
6	PHB-6A	10.0	16.0	13	PHB-13A	24.0	30.0
7	PHB-7A	12.0	18.0	14	PHB-14A	26.0	32.0
8	PHB-8A	14.0	20.0	15	PHB-15A	28.0	34.0
9	PHB-9A	16.0	22.0	16	PHB-16A	30.0	36.0

材质 · 表面处理 Material and Finish
铜 Brass Tin · Plating

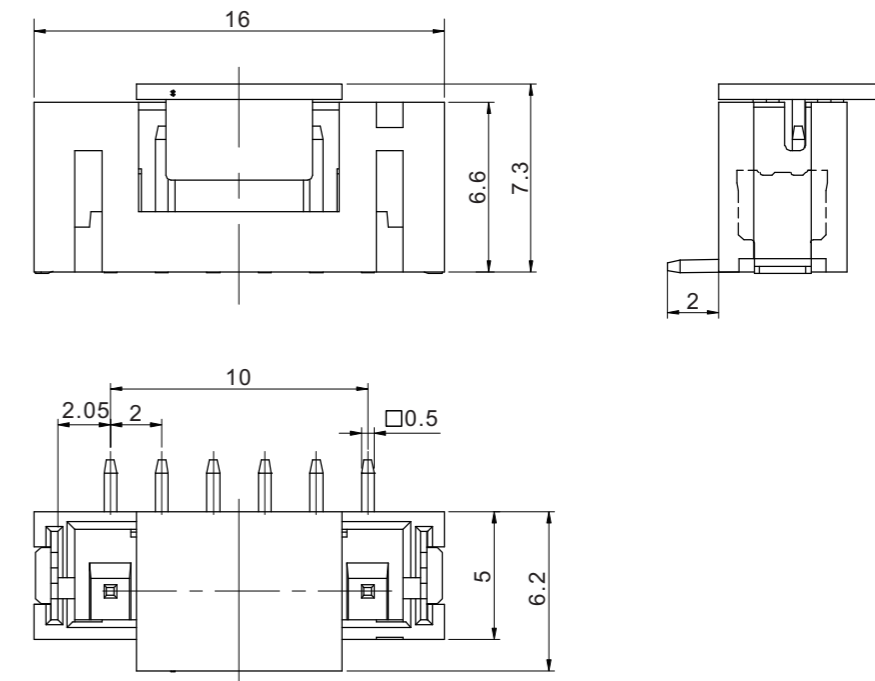
PA6T UL94V-0; 黄

阳连接器 (带吸嘴盖) (180°) Wafer (SMT)



线数 Poles	型号 Type
5	PHB-5A-1

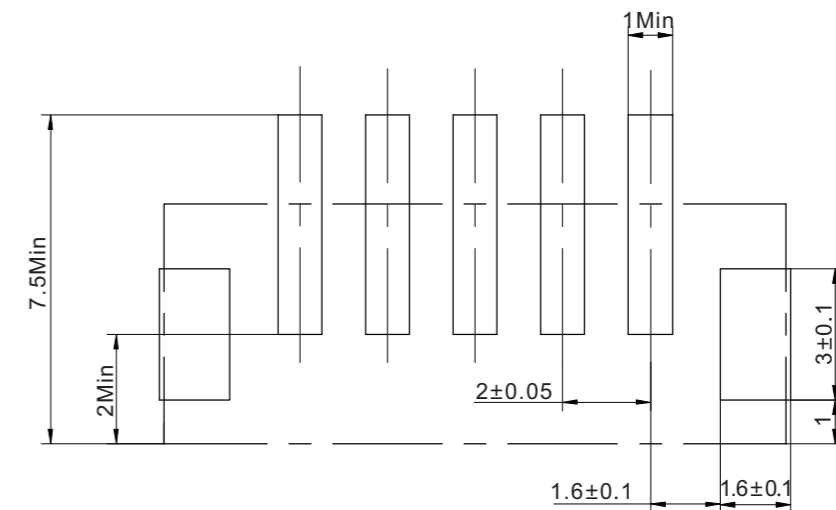
材质 · 表面处理 Material and Finish
PPS UL94V-0; PA6T UL94V-0; 黄铜 Brass Tin · Plating



线数 Poles	型号 Type
6	PHB-6A-1

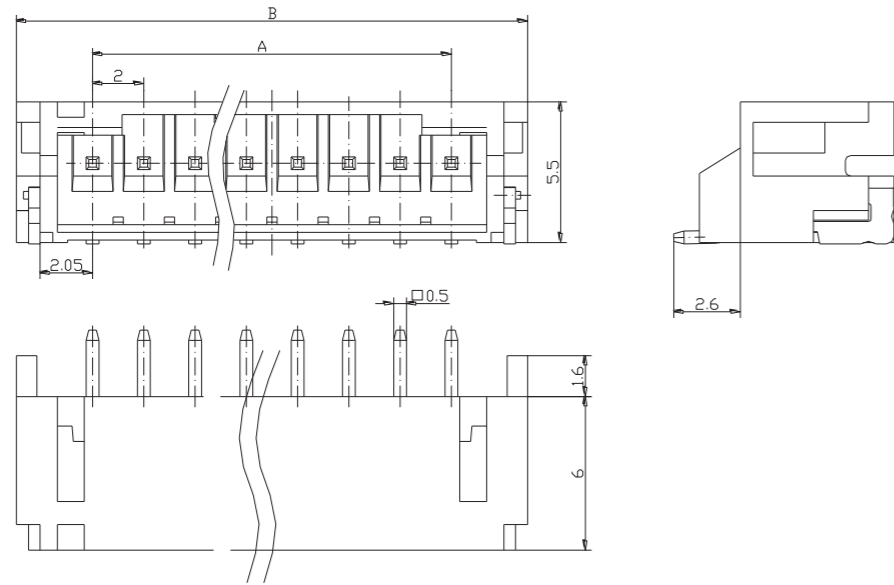
材质 · 表面处理 Material and Finish
LCP UL94V-0; PA6T UL94V-0; 黄铜 Brass Tin · Plating

安装尺寸 MOUNTING MEASUREMENT



PCB LAYOUT

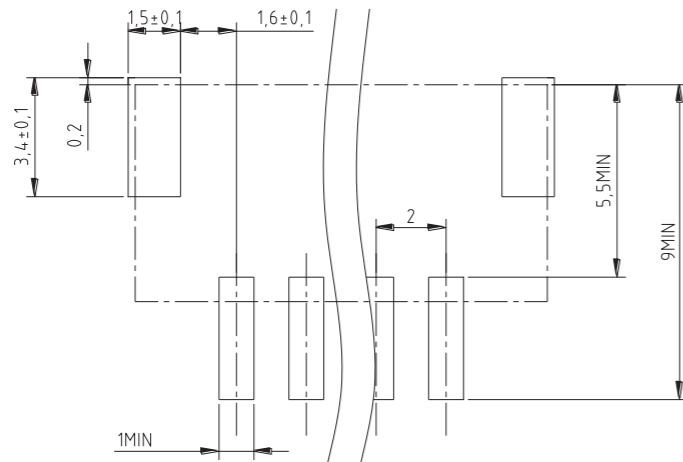
阳连接器 (90°) Wafer (SMT)



线数 Poles	型号 Type	尺寸 Dimensions (mm)		线数 Poles	型号 Type	尺寸 Dimensions (mm)	
		A	B			A	B
2	PHB-2A	2.0	8.0	10	PHB-10A	18.0	24.0
3	PHB-3A	4.0	10.0	11	PHB-11A	20.0	26.0
4	PHB-4A	6.0	12.0	12	PHB-12A	22.0	28.0
5	PHB-5A	8.0	14.0	13	PHB-13A	24.0	30.0
6	PHB-6A	10.0	16.0	14	PHB-14A	26.0	32.0
7	PHB-7A	12.0	18.0	15	PHB-15A	28.0	34.0
8	PHB-8A	14.0	20.0	16	PHB-16A	30.0	36.0
9	PHB-9A	16.0	22.0				

材质·表面处理 Material and Finish: 铜 Brass Tin·Plating PA6T UL94V-0; 黄

安装尺寸 MOUNTING MEASUREMENT



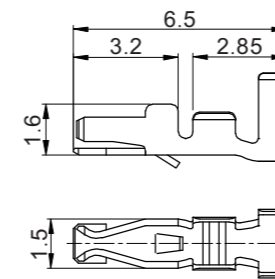
PCB LAYOUT



技术参数 (SPECIFICATIONS)

适用线规 (Applicable wires) : AWG28#~22#
 适应基板厚度 (Applicable PC board thickness) : 0.8~1.6 mm
 温度范围 (Temperature range) : -25℃~85℃
 额定电压 (Voltage rating) : 250V AC/DC
 额定电流 (Current rating) : 3A
 接触电阻 (Contact resistance) : ≤0.01Ω
 绝缘电阻 (Insulation resistance) : ≥1000MΩ
 耐压 (Withstand voltage) : 800V AC/minute

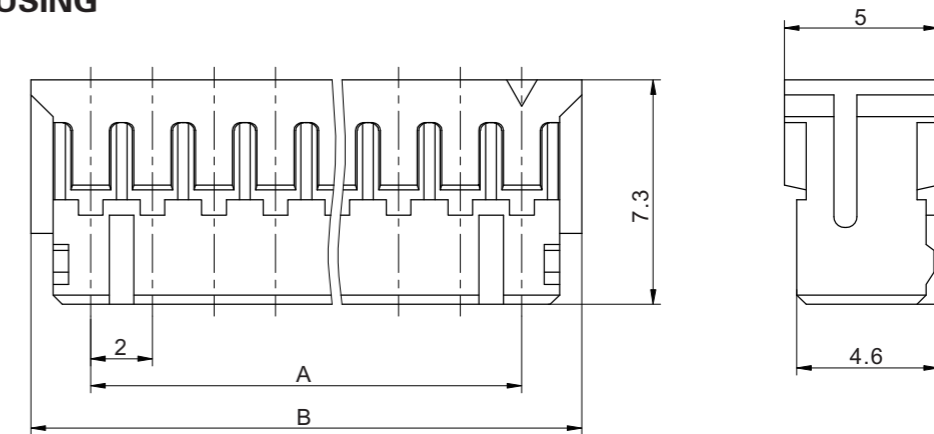
端子 TERMINAL



型号 Type	适用导线范围 Wire Range		导线外径 Wire ins.Dis
	mm ²	AWG#	
PHD 插簧	0.08 ~ 0.33	28 ~ 22	1.2 ~ 1.6

材质·表面处理 Material and Finish: 磷青铜 Phos·bronze Tin·Plated

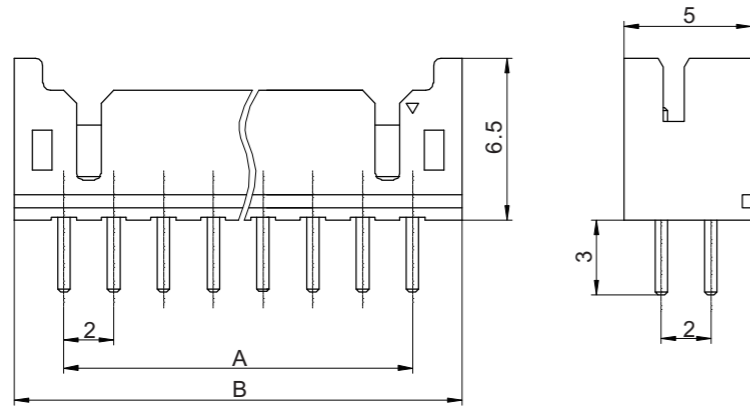
阴连接器 HOUSING



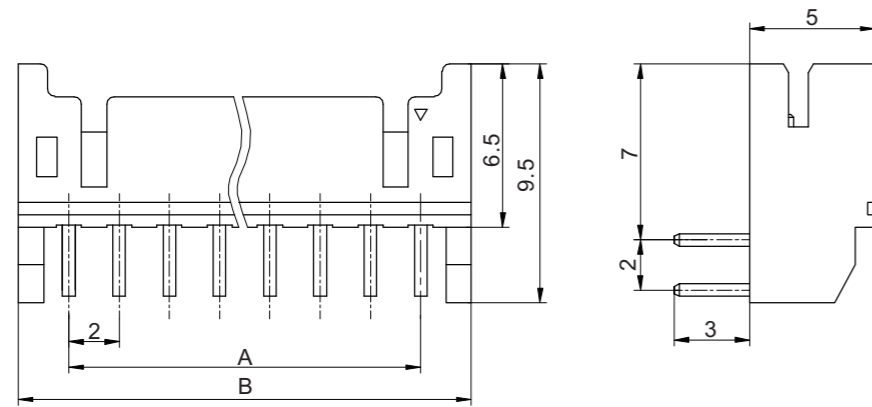
线数 Poles	型号 Type	尺寸 Dimensions (mm)		线数 Poles	型号 Type	尺寸 Dimensions (mm)	
		A	B			A	B
10	PHD-10Y	8	11.9	24	PHD-24Y	22	25.9
12	PHD-12Y	10	13.9	26	PHD-26Y	24	27.9
14	PHD-14Y	12	15.9	28	PHD-28Y	26	29.9
16	PHD-16Y	14	17.9	30	PHD-30Y	28	31.9
18	PHD-18Y	16	19.9	32	PHD-32Y	30	33.9
20	PHD-20Y	18	21.9				
22	PHD-22Y	20	23.9				

材质·表面处理 Material and Finish: PA66 UL94V-0·White

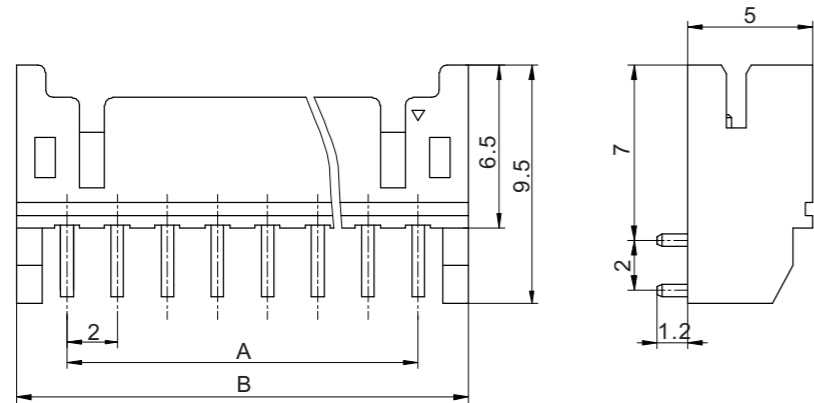
阳连接器 (直式) WAFER (180°)



阳连接器 (弯式定位) WAFER (90°)



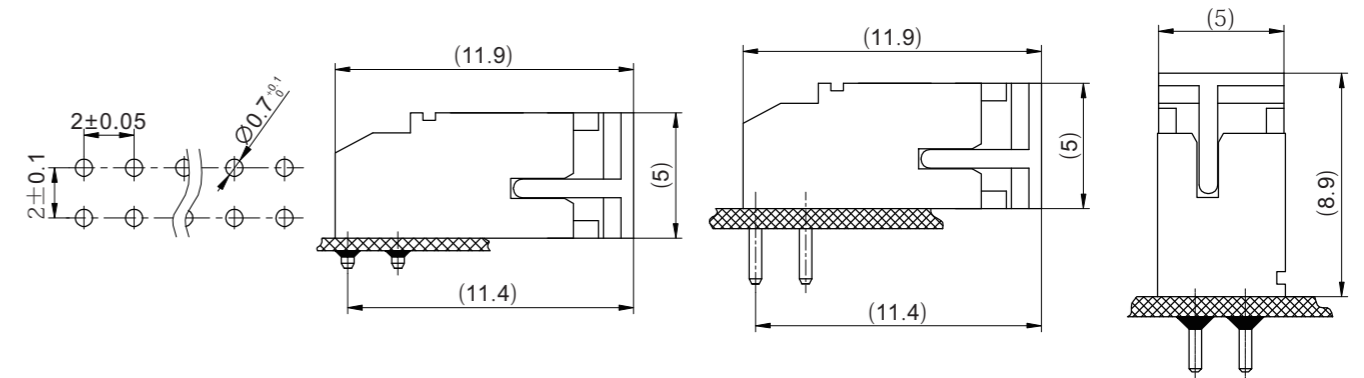
阳连接器 (弯式定位) WAFER (90°)



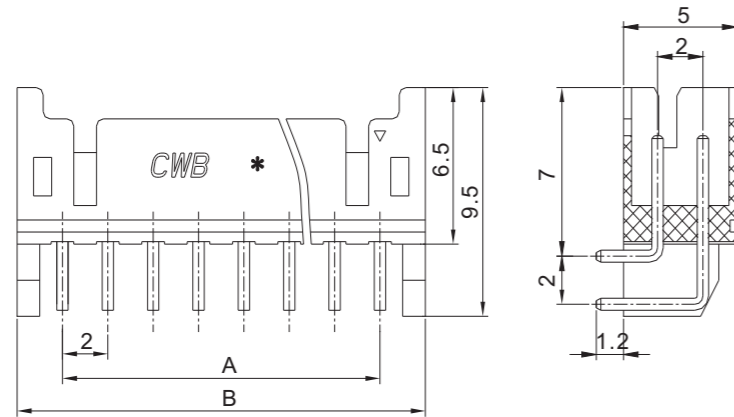
线数 Poles	型号 Type			尺寸 Dimensions (mm)		线数 Poles	型号 Type			尺寸 Dimensions (mm)	
	直式(180°)	弯式定位 (90°)	弯式定位 (90°)	A	B		直式(180°)	弯式定位 (90°)	弯式定位 (90°)	A	B
10	PHD-10A	PHD-10A WJ	PHD-10A WJ-1.2	8	12	24	PHD-24A	PHD-24A WJ	PHD-24AWJ- 1.2	22	26
12	PHD-12A	PHD-12A WJ	PHD-12A WJ-1.2	10	14	26	PHD-26A	PHD-26A WJ	PHD-26AWJ- 1.2	24	28
14	PHD-14A	PHD-14A WJ	PHD-14A WJ-1.2	12	16	28	PHD-28A	PHD-28A WJ	PHD-28AWJ- 1.2	26	30
16	PHD-16A	PHD-16A WJ	PHD-16A WJ-1.2	14	18	30	PHD-30A	PHD-30A WJ	PHD-30AWJ- 1.2	28	32
18	PHD-18A	PHD-18A WJ	PHD-18A WJ-1.2	16	20	32	PHD-32A	PHD-32A WJ	PHD-32AWJ- 1.2	30	34
20	PHD-20A	PHD-20A WJ	PHD-20A WJ-1.2	18	22	34		PHD-34A WJ	PHD-34AWJ- 1.2	32	36
22	PHD-22A	PHD-22A WJ	PHD-22A WJ-1.2	20	24						

材质·表面处理 Material and Finish PA66 UL94V-0·White; 黄铜 镀锡 Brass Tin·Plated

安装尺寸 MOUNTING MEASUREMENT

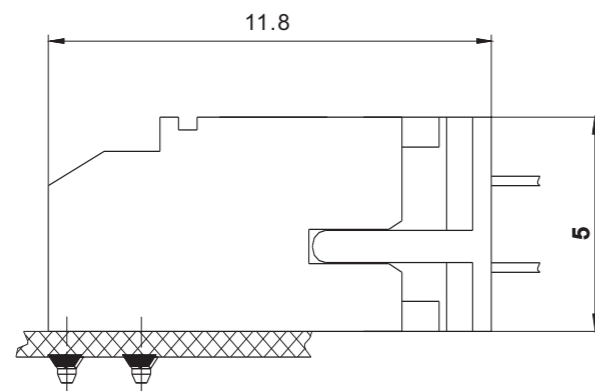


阳连接器 (弯式定位) WAFER (90°)




线数 Poles	型号 Type	尺寸 Dimensions (mm)		线数 Poles	型号 Type	尺寸 Dimensions (mm)	
		A	B			A	B
	弯式定位 (90°)				弯式定位 (90°)		
10	PHD-10AWJ-1.2	8	12	24	PHD-24AWJ-1.2	22	26
12	PHD-12AWJ-1.2	10	14	26	PHD-26AWJ-1.2	24	28
14	PHD-14AWJ-1.2	12	16	28	PHD-28AWJ-1.2	26	30
16	PHD-16AWJ-1.2	14	18	30	PHD-30AWJ-1.2	28	32
18	PHD-18AWJ-1.2	16	20	32	PHD-32AWJ-1.2	30	34
20	PHD-20AWJ-1.2	18	22	34	PHD-34AWJ-1.2	32	36
22	PHD-22AWJ-1.2	20	24				

安装尺寸 MOUNTING MEASUREMENT

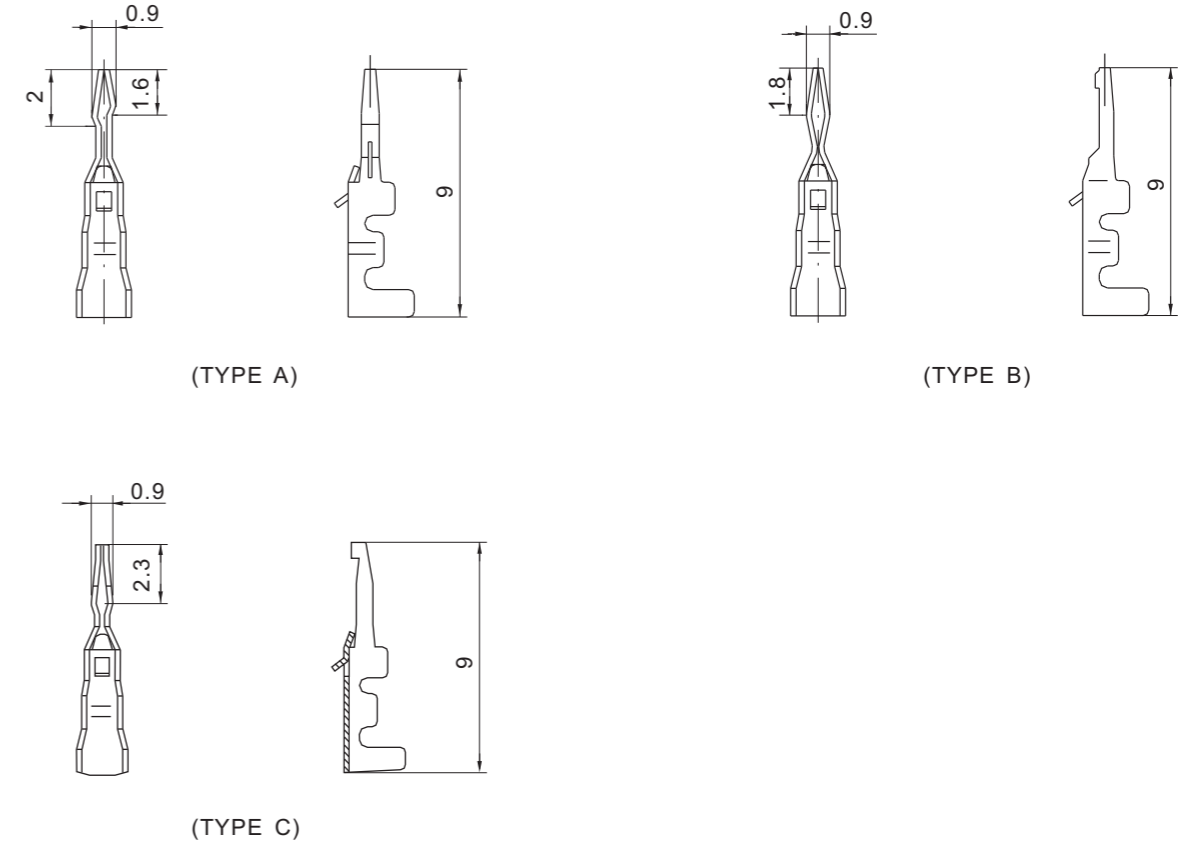


技术参数 (SPECIFICATIONS)

适用线规 (Applicable wires) : AWG30#~24#
 适应基板厚度 (Applicable PC board thickness) : 1.2~1.6mm
 温度范围 (Temperature range) : -25°C~85°C
 额定电压 (Voltage rating) : 250V AC/DC
 额定电流 (Current rating) : 2A
 绝缘电阻 (Insulation resistance) : ≥1000MΩ
 耐压 (Withstand voltage) : 800V AC/minute

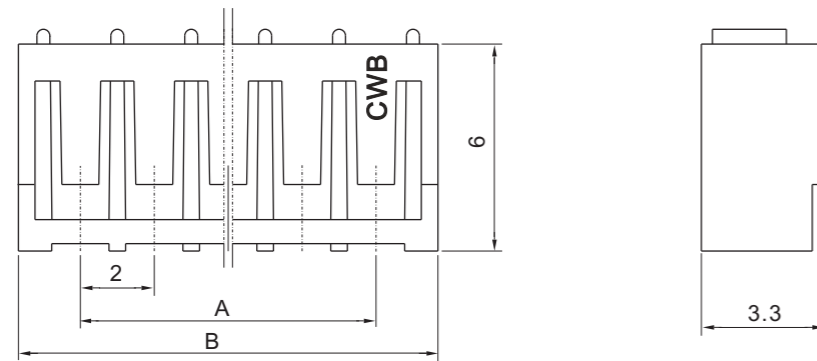
认证 (STANDARDS) :  E200881

端子 TERMINAL



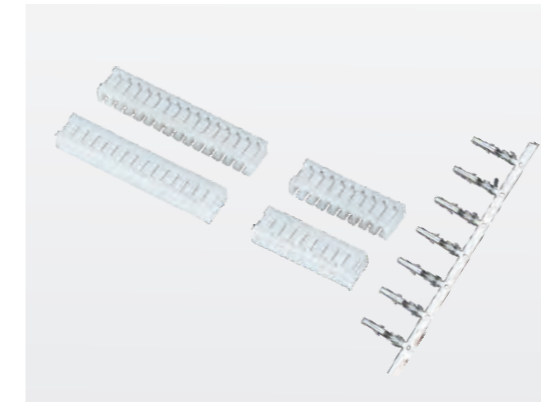
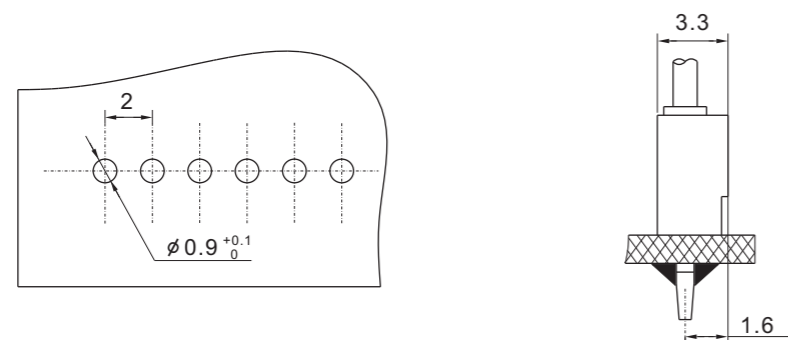
型号 Type	适用导线范围 Wire Range		导线外径 Wire ins.Dis
	mm ²	AWG#	
SAN	0.05 ~ 0.22	30 ~ 24	0.9~1.5
材质 · 表面处理 Material and Finish			
磷青铜 Phos · bronze Tin · Plated			

壳体 HOUSING

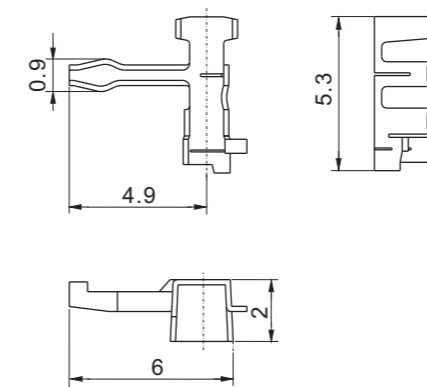


线数 Poles	型号 Type	尺寸 Dimensions(mm)	
		A	B
2	SAN-2A	2.0	5.4
3	SAN-3A	4.0	7.4
4	SAN-4A	6.0	9.4
5	SAN-5A	8.0	11.4
6	SAN-6A	10.0	13.4
7	SAN-7A	12.0	15.4
8	SAN-8A	14.0	17.4
9	SAN-9A	16.0	19.4
10	SAN-10A	18.0	21.4
11	SAN-11A	20.0	23.4
12	SAN-12A	22.0	25.4
13	SAN-13A	24.0	27.4
14	SAN-14A	26.0	29.4
15	SAN-15A	28.0	31.4
16	SAN-16A	30.0	33.4

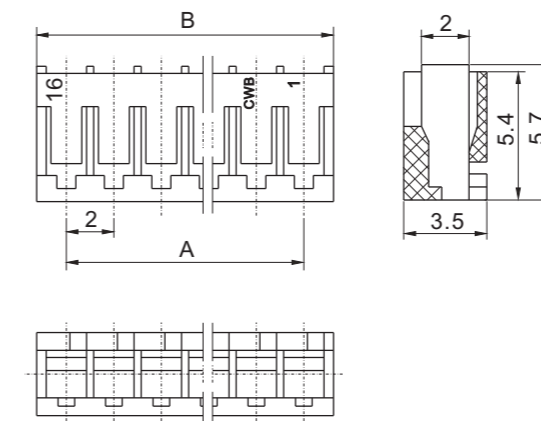
安装尺寸 MOUNTING MEASUREMENT



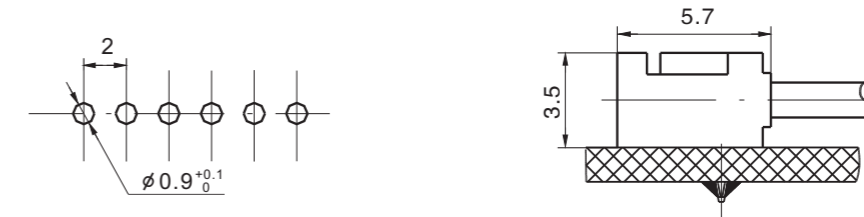
端子 TERMINAL



壳体 HOUSING



安装尺寸 MOUNTING MEASUREMENT

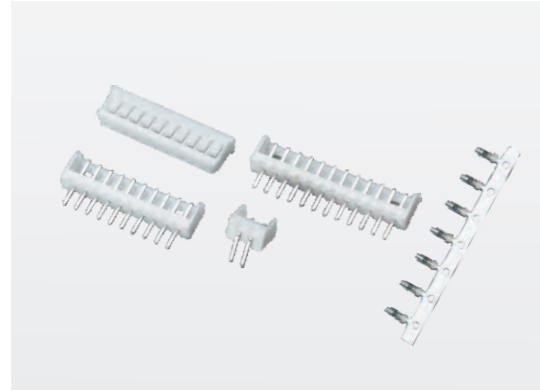


技术参数 (SPECIFICATIONS)

适用线规 (Applicable wires) : AWG28#~24#
 适应基板厚度 (Applicable PC board thickness) : 1.2~1.6mm
 温度范围 (Temperature range) : -25°C~85°C
 额定电压 (Voltage rating) : 250V AC/DC
 额定电流 (Current rating) : 1A
 绝缘电阻 (Insulation resistance) : ≥1000MΩ
 耐压 (Withstand voltage) : 800V AC/minute
 认证 (STANDARDS) : E200881

型号 Type	适用导线范围 Wire Range		导线外径 Wire ins.Dis
	mm ²	AWG#	
SANW	0.05 ~ 0.22	28 ~ 24	0.9~1.5
材质·表面处理 Material and Finish			
磷青铜 Phos·bronze Tin·Plated			

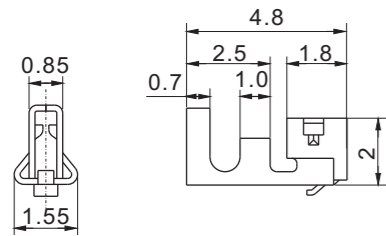
线数 Poles	型号 Type	尺寸 Dimensions(mm)	
		A	B
2	SANW-2A	2.0	4.5
3	SANW-3A	4.0	6.5
4	SANW-4A	6.0	8.5
5	SANW-5A	8.0	10.5
6	SANW-6A	10.0	12.5
7	SANW-7A	12.0	14.5
8	SANW-8A	14.0	16.5
9	SANW-9A	16.0	18.5
10	SANW-10A	18.0	20.5
11	SANW-11A	20.0	22.5
12	SANW-12A	22.0	24.5
13	SANW-13A	24.0	26.5
14	SANW-14A	26.0	28.5
15	SANW-15A	28.0	30.5
16	SANW-16A	30.0	32.5
材质·表面处理 Material and Finish			
PA66 UL94V-0 · White			



技术参数 (SPECIFICATIONS)

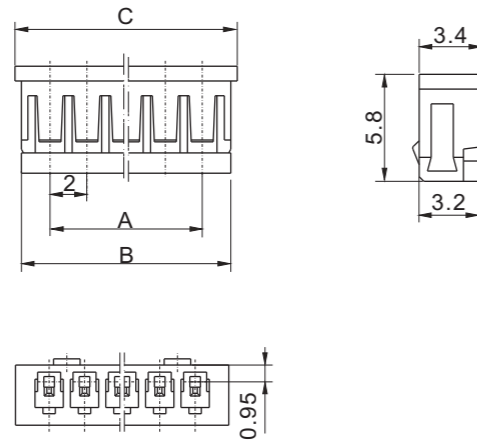
适用线规 (Applicable wires) : AWG30#~24#
 适应基板厚度 (Applicable PC board thickness) : 1.6mm
 温度范围 (Temprature range) : -25°C~85°C
 额定电压 (Voltage rating) : 250V AC/DC
 额定电流 (Current rating) : 1A
 接触电阻 (Contact resistance) : ≤0.01Ω
 绝缘电阻 (Insulation resistance) : ≥1000MΩ
 耐压 (Withstand voltage) : 800V AC/minute

端子 TERMINAL



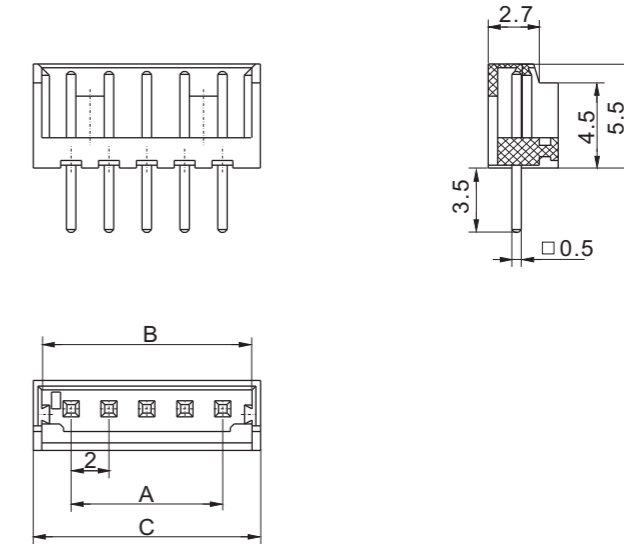
型号 Type	适用导线范围 Wire Range		导线外径 Wire ins.Dis
	mm ²	AWG#	
TJC15	0.08 ~ 0.32	28 ~ 22	1.2~1.6
材质·表面处理 Material and Finish			
磷青铜 Phos·bronze Tin·Plated			

阴连接器 HOUSING



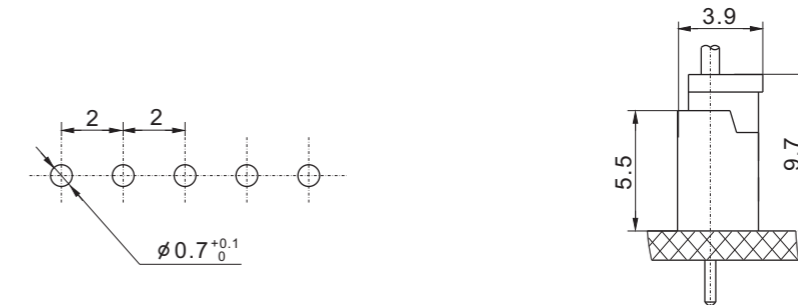
线数 Poles	型号 Type	尺寸 Dimensions(mm)			线数 Poles	型号 Type	尺寸 Dimensions(mm)		
		A	B	C			A	B	C
2	TJC15-2Y	2.0	5.0	5.8	9	TJC15-9Y	16.0	19.0	19.8
3	TJC15-3Y	4.0	7.0	7.8	10	TJC15-10Y	18.0	21.0	21.8
4	TJC15-4Y	6.0	9.0	9.8	11	TJC15-11Y	20.0	23.0	23.8
5	TJC15-5Y	8.0	11.0	11.8	12	TJC15-12Y	22.0	25.0	25.8
6	TJC15-6Y	10.0	13.0	13.8	13	TJC15-13Y	24.0	27.0	27.8
7	TJC15-7Y	12.0	15.0	15.8	14	TJC15-14Y	26.0	29.0	29.8
8	TJC15-8Y	14.0	17.0	17.8	15	TJC15-15Y	28.0	31.0	31.8
材质·表面处理 Material and Finish				PA66 UL94V-0 · White					

阳连接器 WAFER



线数 Poles	型号 Type	尺寸 Dimensions(mm)			线数 Poles	型号 Type	尺寸 Dimensions(mm)		
		A	B	C			A	B	C
2	TJC15-2A	2.0	5.1	6.0	9	TJC15-9A	16.0	19.1	20.0
3	TJC15-3A	4.0	7.1	8.0	10	TJC15-10A	18.0	21.1	22.0
4	TJC15-4A	6.0	9.1	10.0	11	TJC15-11A	20.0	23.1	24.0
5	TJC15-5A	8.0	11.1	12.0	12	TJC15-12A	22.0	25.1	26.0
6	TJC15-6A	10.0	13.1	14.0	13	TJC15-13A	24.0	27.1	28.0
7	TJC15-7A	12.0	15.1	16.0	14	TJC15-14A	26.0	29.1	30.0
8	TJC15-8A	14.0	17.1	18.0	15	TJC15-15A	28.0	31.1	32.0
材质·表面处理 Material and Finish				PA66 UL94V-0 · White; 黄铜 镀锡 Brass Tin·Plated					

安装尺寸 MOUNTING MEASUREMENT

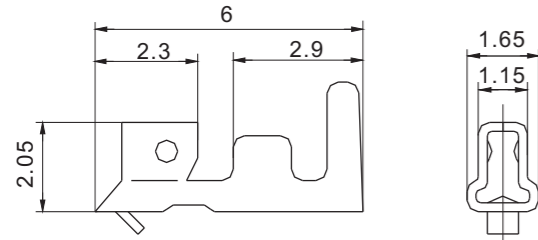




技术参数 (SPECIFICATIONS)

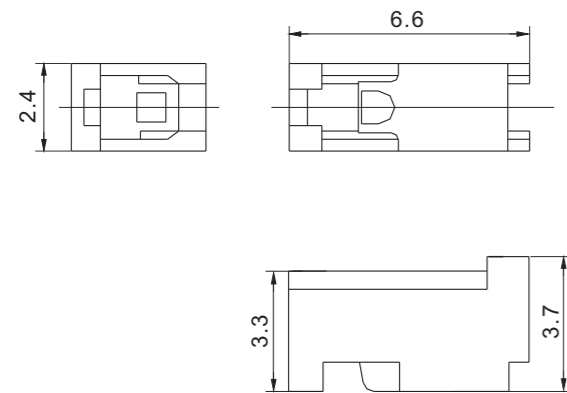
适用线规 (Applicable wires) : AWG30#~22#
 温度范围 (Temperature range) : -25°C~85°C
 额定电压 (Voltage rating) : 250V AC/DC
 额定电流 (Current rating) : 3A
 接触电阻 (Contact resistance) : ≤0.01Ω
 绝缘电阻 (Insulation resistance) : ≥1000MΩ

端子 TERMINAL

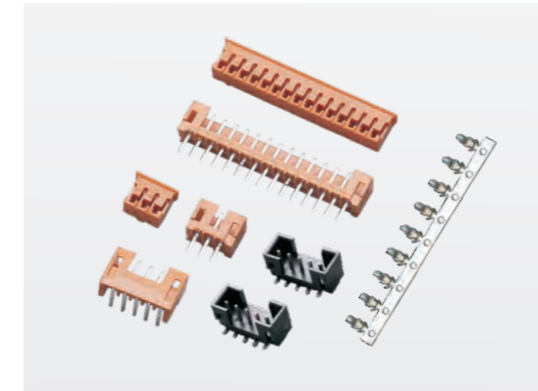


型号 Type	适用导线范围 Wire Range		导线外径 Wire ins.Dis
	mm ²	AWG#	
EH	0.05 ~ 0.33	30 ~ 22	1.0~1.9
材质·表面处理 Material and Finish			
磷青铜 Phos·Bronze Tin · Pated			

阴连接器 HOUSING



线数 Poles	型号 Type
1	TJC17-1Y
材质·表面处理 Material and Finish	
PA66 半透明	

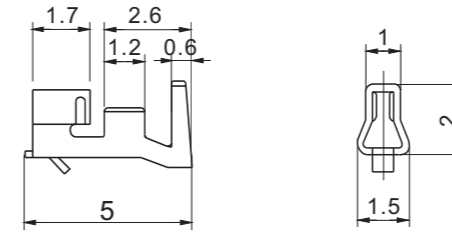


技术参数 (SPECIFICATIONS)

适用线规 (Applicable wires) : AWG30#~24#
 适应基板厚度 (Applicable PC board thickness) : 1.6mm
 温度范围 (Temperature range) : -25°C~85°C
 额定电压 (Voltage rating) : 250V AC/DC
 额定电流 (Current rating) : 2A
 接触电阻 (Contact resistance) : ≤0.01Ω
 绝缘电阻 (Insulation resistance) : ≥1000MΩ
 耐压 (Withstand voltage) : 800V AC/minute

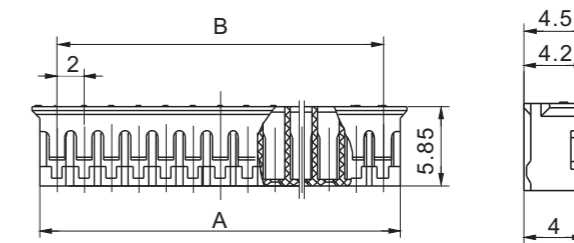
认证 (STANDARDS) : E200881

端子 TERMINAL



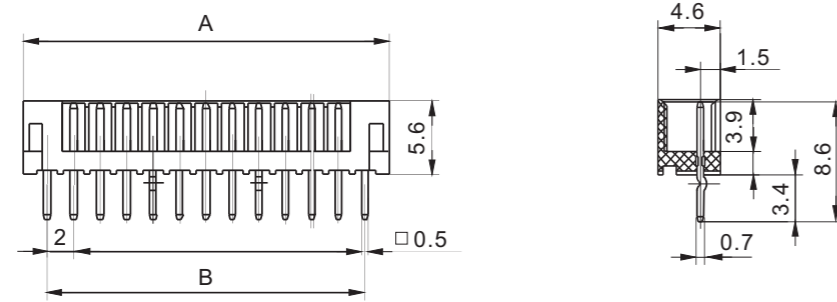
型号 Type	适用导线范围 Wire Range		导线外径 Wire ins.Dis
	mm ²	AWG#	
TJC19	0.05 ~ 0.22	30 ~ 24	0.9~1.5
材质·表面处理 Material and Finish			
磷青铜 Phos·bronze Tin · Plated			

阴连接器 HOUSING

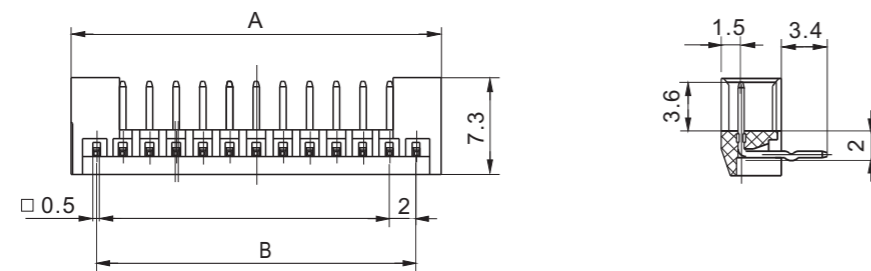


线数 Poles	型号 Type	尺寸 Dimensions(mm)		线数 Poles	型号 Type	尺寸 Dimensions(mm)	
		A	B			A	B
2	TJC19-2Y	4.5	2.0	10	TJC19-10Y	20.5	18.0
3	TJC19-3Y	6.5	4.0	11	TJC19-11Y	22.5	20.0
4	TJC19-4Y	8.5	6.0	12	TJC19-12Y	24.5	22.0
5	TJC19-5Y	10.5	8.0	13	TJC19-13Y	26.5	24.0
6	TJC19-6Y	12.5	10.0	14	TJC19-14Y	28.5	26.0
7	TJC19-7Y	14.5	12.0	15	TJC19-15Y	30.5	28.0
8	TJC19-8Y	16.5	14.0	16	TJC19-16Y	32.5	30.0
9	TJC19-9Y	18.5	16.0	17	TJC19-17Y	34.5	32.0
材质·表面处理 Material and Finish						PA66 UL94V-0 · Light brown	

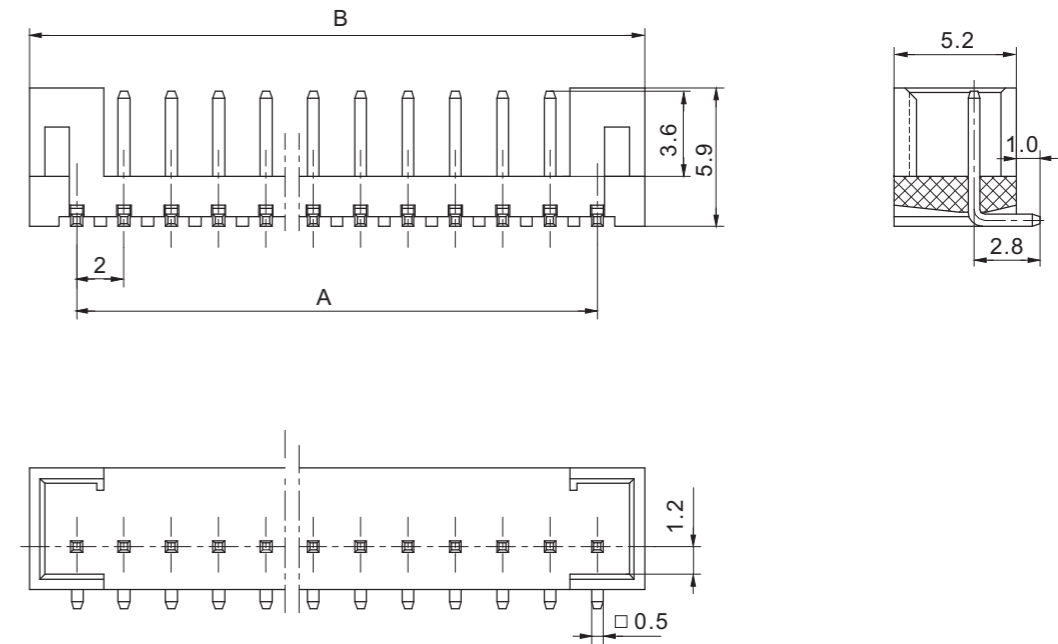
阳连接器 (直式) WAFER (180°)



阳连接器 (弯式) WAFER (90°)



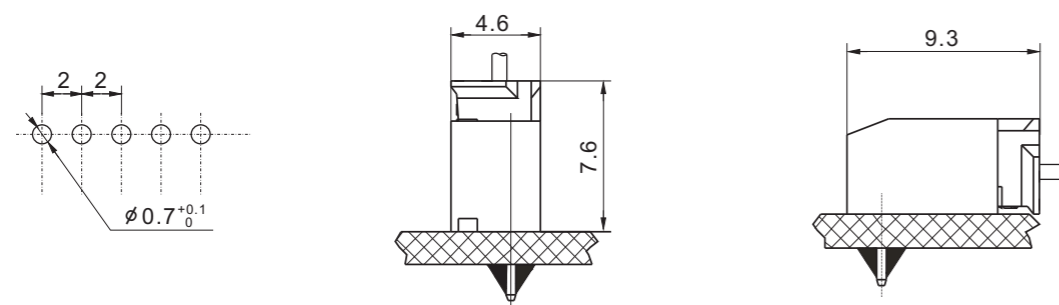
阳连接器 (立式) TOP ENTRY TYPE



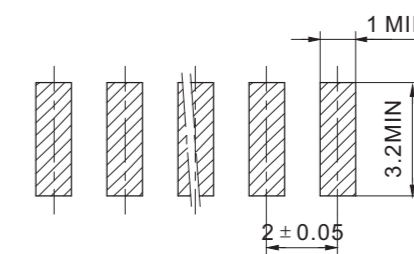
线数 Poles	型号 Type		尺寸 Dimensions(mm)		线数 Poles	型号 Type		尺寸 Dimensions(mm)	
	直式 (180°)	弯式 (90°)	A	B		直式 (180°)	弯式 (90°)	A	B
2	TJC19-2A	TJC19-2AW	6.0	2.0	10	TJC19-10A	TJC19-10AW	22.0	18.0
3	TJC19-3A	TJC19-3AW	8.0	4.0	11	TJC19-11A	TJC19-11AW	24.0	20.0
4	TJC19-4A	TJC19-4AW	10.0	6.0	12	TJC19-12A	TJC19-12AW	26.0	22.0
5	TJC19-5A	TJC19-5AW	12.0	8.0	13	TJC19-13A	TJC19-13AW	28.0	24.0
6	TJC19-6A	TJC19-6AW	14.0	10.0	14	TJC19-14A	TJC19-14AW	30.0	26.0
7	TJC19-7A	TJC19-7AW	16.0	12.0	15	TJC19-15A	TJC19-15AW	32.0	28.0
8	TJC19-8A	TJC19-8AW	18.0	14.0	16	TJC19-16A	TJC19-16AW	34.0	30.0
9	TJC19-9A	TJC19-9AW	20.0	16.0	17	TJC19-17A	TJC19-17AW	36.0	32.0
材质 · 表面处理 Material and Finish PA66 UL94V-0 · Light brown; 黄铜 镀锡 Brass Tin · Plated									

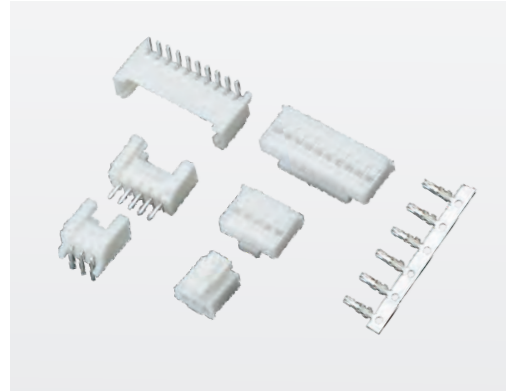
线数 Poles	型号 Type	尺寸 Dimensions(mm)		线数 Poles	型号 Type	尺寸 Dimensions(mm)	
		A	B			A	B
2	TJC19B-2AW	2	6	9	TJC19B-9AW	16	20
3	TJC19B-3AW	4	8	10	TJC19B-10AW	18	22
4	TJC19B-4AW	6	10	11	TJC19B-11AW	20	24
5	TJC19B-5AW	8	12	12	TJC19B-12AW	22	26
6	TJC19B-6AW	10	14	13	TJC19B-13AW	24	28
7	TJC19B-7AW	12	16	14	TJC19B-14AW	26	30
8	TJC19B-8AW	14	18	15	TJC19B-15AW	28	32
材质 · 表面处理 Material and Finish PPS UL94V-0 · Black; 黄铜 镀锡 Brass Tin · Plated							

安装尺寸 MOUNTING MEASUREMENT



安装尺寸 MOUNTING MEASUREMENT



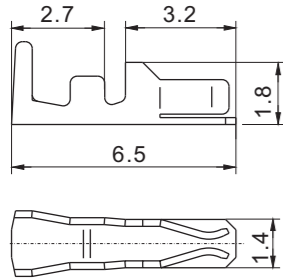


技术参数 (SPECIFICATIONS)

适用线规 (Applicable wires) : AWG30#~24#
 适应基板厚度 (Applicable PC board thickness) : 1.2~1.6mm
 温度范围 (Temprature range) : -25℃~85℃
 额定电压 (Voltage rating) : 250V AC/DC
 额定电流 (Current rating) : 3A
 接触电阻 (Contact resistance) : ≤0.01Ω
 绝缘电阻 (Insulation resistance) : ≥1000MΩ
 耐压 (Withstand voltage) : 800V AC/minute

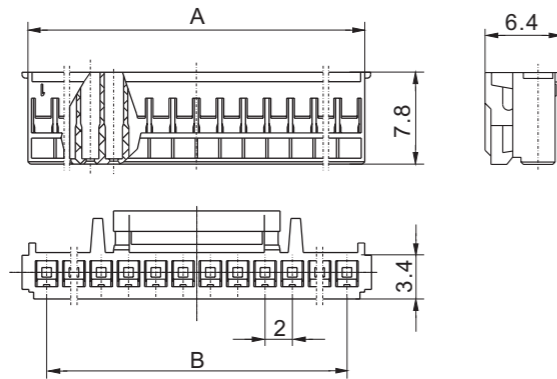
认证 (STANDARDS) : E200881

端子 TERMINAL



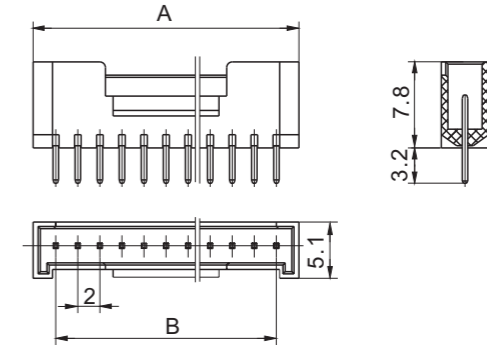
型号 Type	适用导线范围 Wire Range		导线外径 Wire ins.Dis
	mm ²	AWG#	
TJC2004	0.08 ~ 0.33	28 ~ 22	1.2~1.9
材质·表面处理 Material and Finish			
磷青铜 Phos·bronze Tin·Plated			

阴连接器 HOUSING

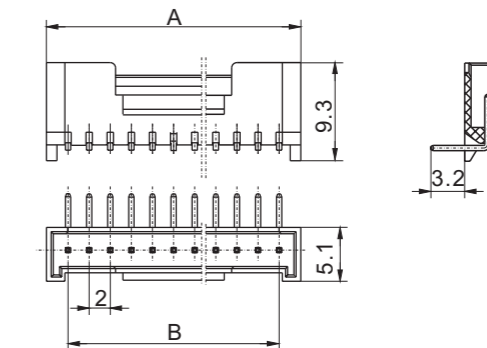


线数 Poles	型号 Type	尺寸 Dimensions(mm)		线数 Poles	型号 Type	尺寸 Dimensions(mm)	
		A	B			A	B
2	TJC2004-2Y	4.6	2	9	TJC2004-9Y	18.6	16
3	TJC2004-3Y	6.6	4	10	TJC2004-10Y	20.6	18
4	TJC2004-4Y	8.6	6	11	TJC2004-11Y	22.6	20
5	TJC2004-5Y	10.6	8	12	TJC2004-12Y	24.6	22
6	TJC2004-6Y	12.6	10	13	TJC2004-13Y	26.6	24
7	TJC2004-7Y	14.6	12	14	TJC2004-14Y	28.6	26
8	TJC2004-8Y	16.6	14	15	TJC2004-15Y	30.6	28
材质·表面处理 Material and Finish				PA66 UL94V-0 · White			

阳连接器 (直式) WAFER (180°)

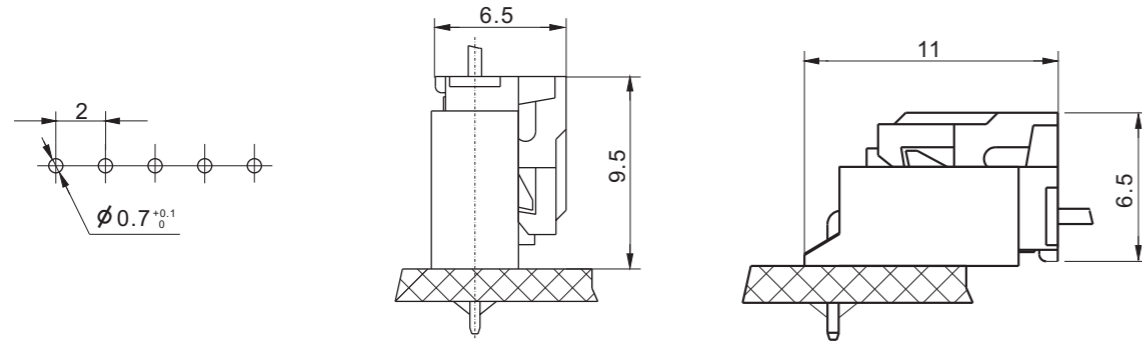


阳连接器 (弯式) WAFER (90°)



线数 Poles	型号 Type		尺寸 Dimensions(mm)		线数 Poles	型号 Type		尺寸 Dimensions(mm)	
	直式 (180°)	弯式 (180°)	A	B		直式 (180°)	弯式 (180°)	A	B
2	TJC2004-2A	TJC2004-2AW	6	2	9	TJC2004-9A	TJC2004-9AW	20	16
3	TJC2004-3A	TJC2004-3AW	8	4	10	TJC2004-10A	TJC2004-10AW	22	18
4	TJC2004-4A	TJC2004-4AW	10	6	11	TJC2004-11A	TJC2004-11AW	24	20
5	TJC2004-5A	TJC2004-5AW	12	8	12	TJC2004-12A	TJC2004-12AW	26	22
6	TJC2004-6A	TJC2004-6AW	14	10	13	TJC2004-13A	TJC2004-13AW	28	24
7	TJC2004-7A	TJC2004-7AW	16	12	14	TJC2004-14A	TJC2004-14AW	30	26
8	TJC2004-8A	TJC2004-8AW	18	14	15	TJC2004-15A	TJC2004-15AW	32	28
材质·表面处理 Material and Finish				PA66 UL94V-0 · White; 黄铜 镀锡 Brass Tin·Plated					

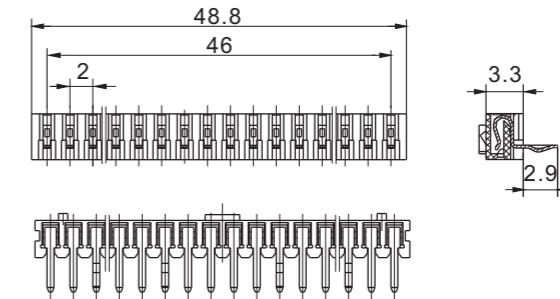
安装尺寸 MOUNTING MEASUREMENT



技术参数 (SPECIFICATIONS)

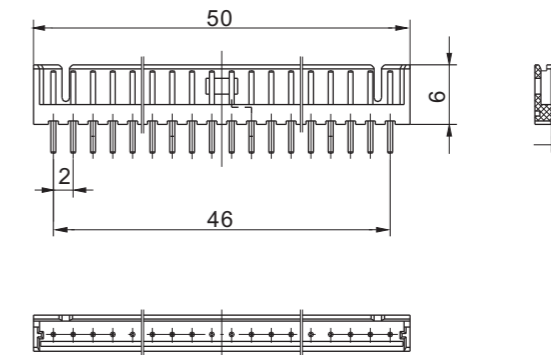
适应基板厚度 (Applicable PC board thickness) : 1.2~1.6mm
 温度范围 (Temperature range) : -25°C~85°C
 额定电压 (Voltage rating) : 250V AC/DC
 额定电流 (Current rating) : 2A
 接触电阻 (Contact resistance) : ≤0.01Ω
 绝缘电阻 (Insulation resistance) : ≥500MΩ
 耐压 (Withstand voltage) : 800V AC/minute

阴连接器 RECEPTACLE

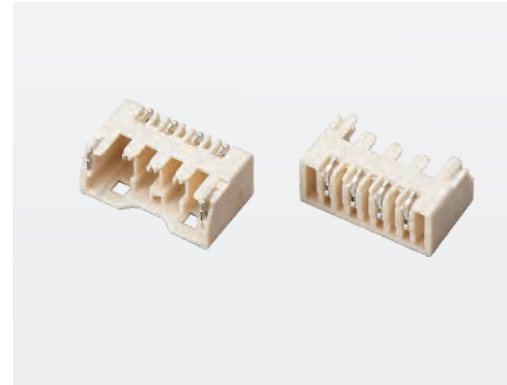


线数 Poles	型号 Type
24	TJC20010-24Y
材质·表面处理 Material and Finish PPS UL94V-0; 黄铜 镀锡 Brass Tin·Plated	

阳连接器 HEADER




线数 Poles	型号 Type
24	TJC20010-24A
材质·表面处理 Material and Finish PPS UL94V-0; 黄铜 镀锡 Brass Tin·Plated	

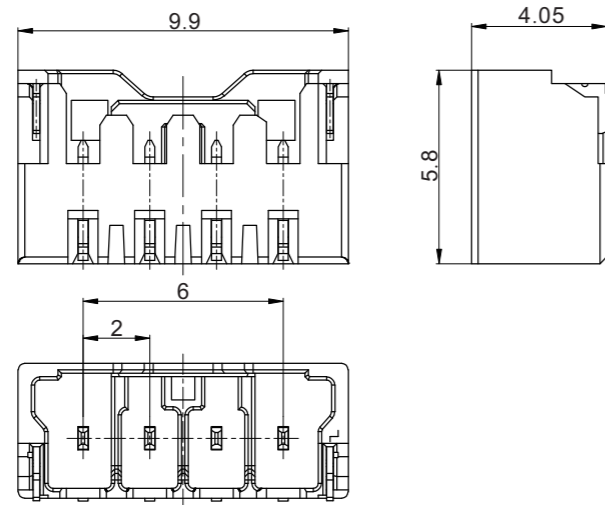


技术参数 (SPECIFICATIONS)

温度范围 (Temperature range) : -25°C~+85°C
 额定电压 (Voltage rating) : 200V AC/DC
 额定电流 (Current rating) : 1A
 接触电阻 (Contact resistance) : ≤0.02Ω
 绝缘电阻 (Insulation resistance) : ≥1000MΩ
 耐压 (Withstand voltage) : 500V AC/minute

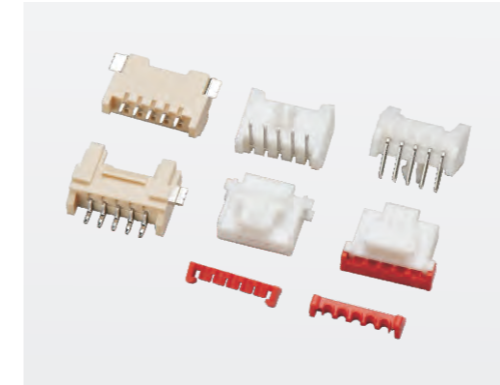
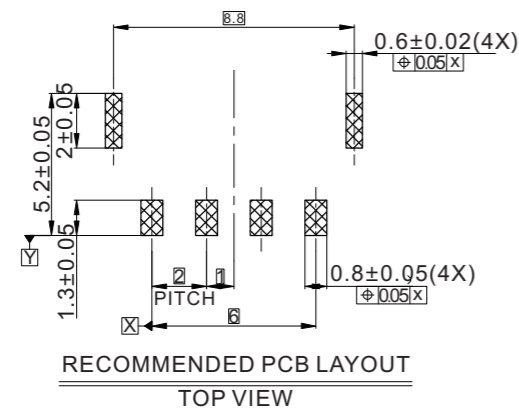
认证 (STANDARDS) :  E200881

阳连接器 Wafer




线数 Poles	型号 Type
2	TJC20043-4A
材质·表面处理 Material and Finish PA66 UL94V-0 黄铜 镀锡 Brass Tin·Plating	

安装尺寸 MOUNTING MEASUREMENT

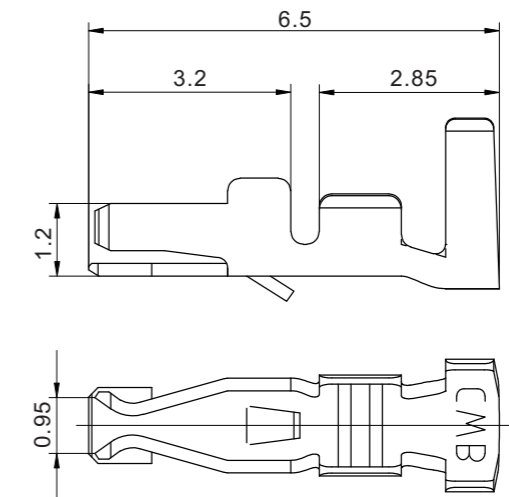


技术参数 (SPECIFICATIONS)

适用线规 (Applicable wires) : AWG26#
 适应基板厚度 (Applicable PC board thickness) : 1.6 mm
 温度范围 (Temperature range) : -25°C~85°C
 额定电压 (Voltage rating) : 250V AC/DC
 额定电流 (Current rating) : 3A
 接触电阻 (Contact resistance) : ≤0.01Ω
 绝缘电阻 (Insulation resistance) : ≥1000MΩ
 耐压 (Withstand voltage) : 800V AC/minute

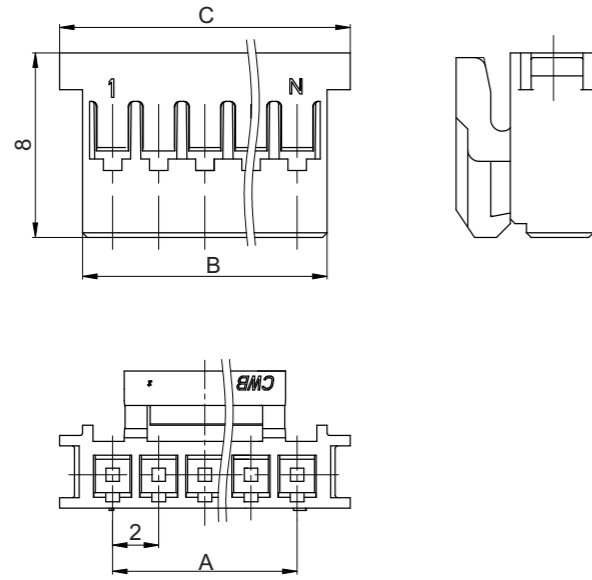
认证 (STANDARDS) :  E200881

端子 TERMINAL



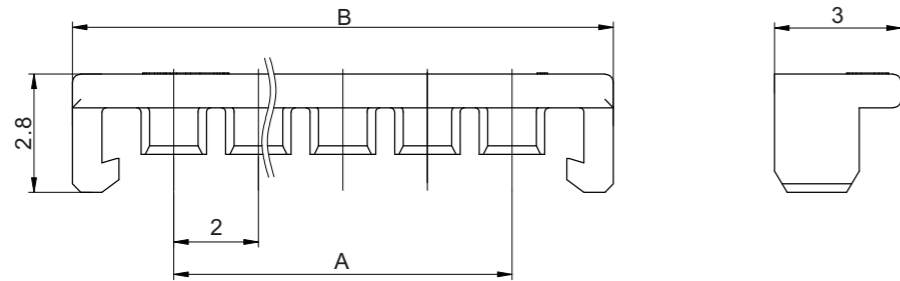
型号 Type	适用导线范围 Wire Range		导线外径 Wire ins.Dis
	mm ²	AWG#	
PHD	0.1	26	1.3
材质·表面处理 Material and Finish 磷青铜 Phos·bronze Tin·Plated			

阴连接器 HOUSING



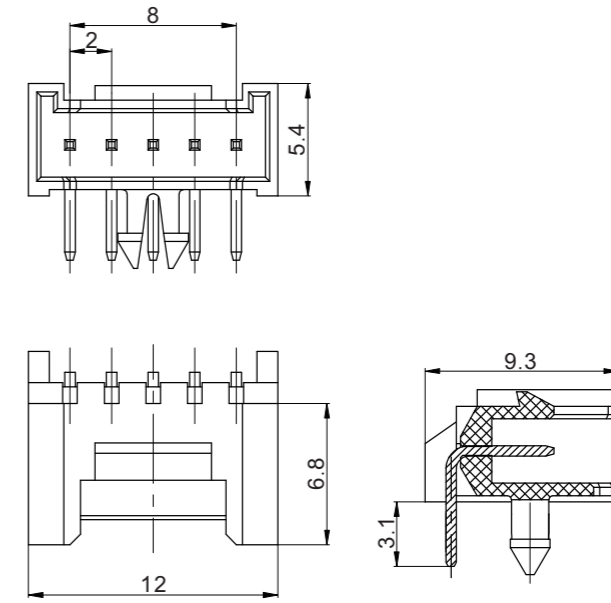
线数 Poles	型号 Type	尺寸 Dimensions (mm)		
		A	B	C
5	TJC20046-5Y	8.0	10.6	12.6
7	TJC20046-7Y	12.0	14.6	16.6
材质 · 表面处理 Material and Finish		PA66 UL94V_0 · White;		

适配锁紧片 RETAINER

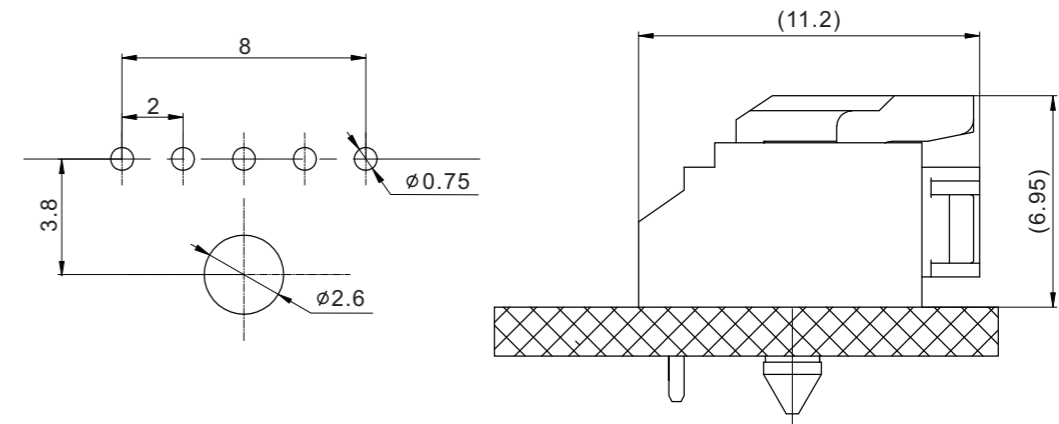


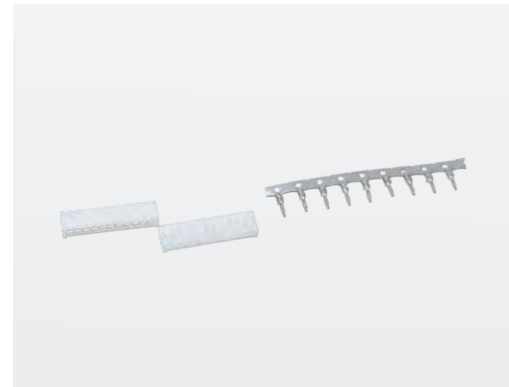
线数 Poles	型号 Type	尺寸 Dimensions (mm)	
		A	B
5	TJC20046-5YS	8.0	12.8
7	TJC20046-7YS	12.0	16.8
材质 · 表面处理 Material and Finish		PA66 UL94V_0 · White;	

阳连接器 (直式) WAFER (180°)



安装尺寸 MOUNTING MEASUREMENT

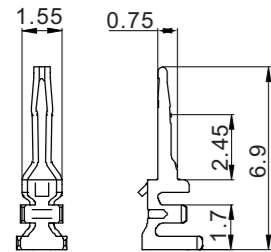




技术参数 (SPECIFICATIONS)

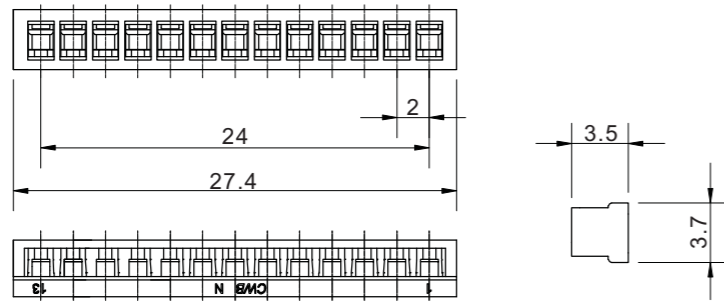
温度范围 (Temperature range) : -25℃~+85℃
 额定电压 (Voltage rating) : 50V AC/DC
 额定电流 (Current rating) : 1.5A
 绝缘电阻 (Insulation resistance) : ≥1000MΩ
 耐电压 (Withstand voltage) : 1000V AC/minute
 认证 (STANDARDS) : E200881

端子 TERMINAL



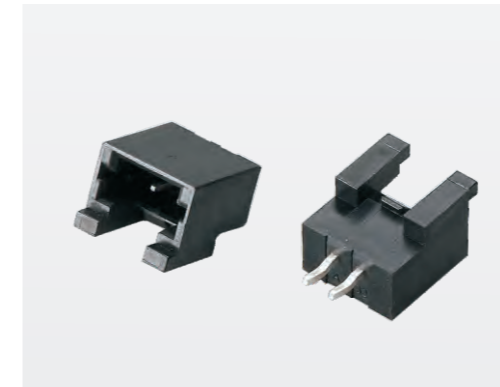
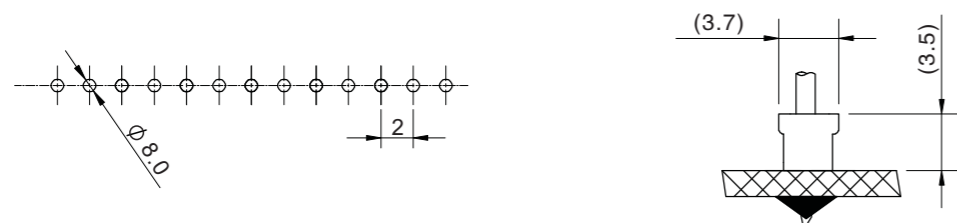
型号 Type	AWG#
CZ-TJC20055插簧	24
材质·表面处理 Material and Finish	
磷青铜 Phos·bronze Tin·Plated	

阴连接器 HOUSING



线数 Poles	型号 Type
13	TJC20055-13A
材质·表面处理 Material and Finish	
PA66 UL94V-0·White	

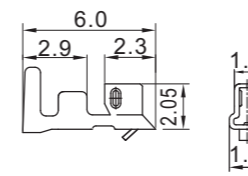
安装尺寸 MOUNTING MEASUREMENT



技术参数 (SPECIFICATIONS)

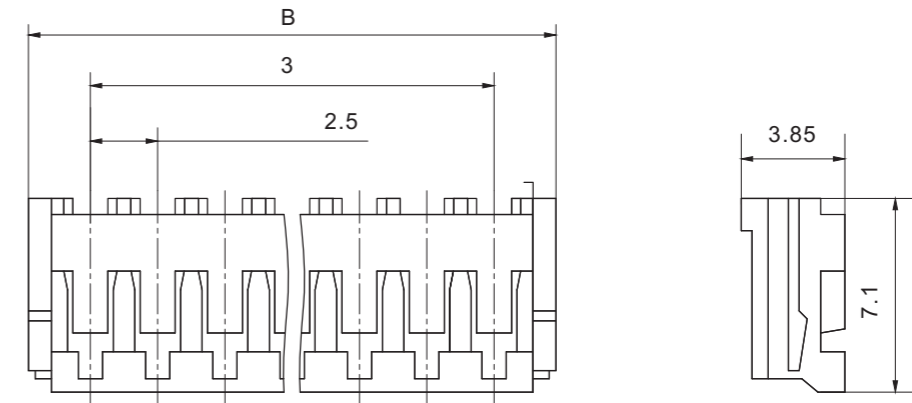
适用线规 (Applicable wires) : AWG28#~22#
 适应基板厚度 (Applicable PC board thickness) : 0.8~1.6 mm
 温度范围 (Temperature range) : -25℃~85℃
 额定电压 (Voltage rating) : 250V AC/DC
 额定电流 (Current rating) : 3A
 接触电阻 (Contact resistance) : ≤0.01Ω
 绝缘电阻 (Insulation resistance) : ≥1000MΩ
 耐压 (Withstand voltage) : 1000V AC/minute

端子 TERMINAL



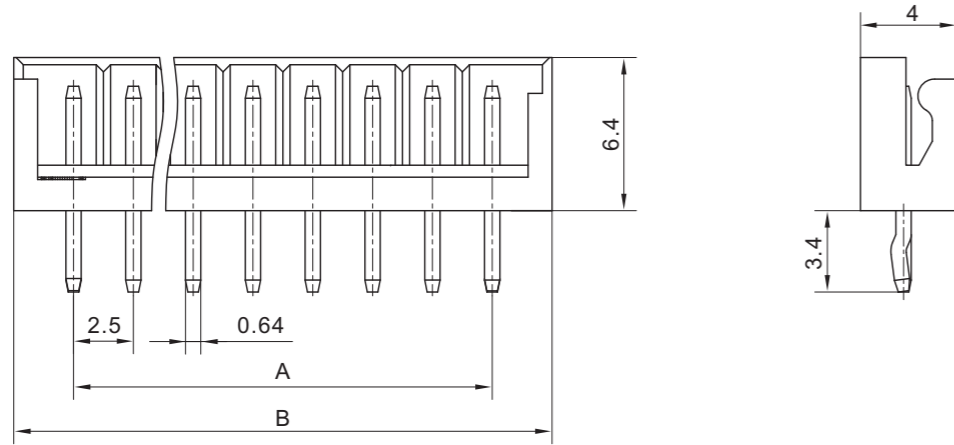
型号 Type	适用导线范围 Wire Range		导线外径 Wire ins.Dis
	mm ²	AWG#	
EH 插簧	0.08 ~ 0.33	28 ~ 22	1.2 ~ 1.6
材质·表面处理 Material and Finish			
磷青铜 Phos·bronze Tin·Plated			

阴连接器 HOUSING

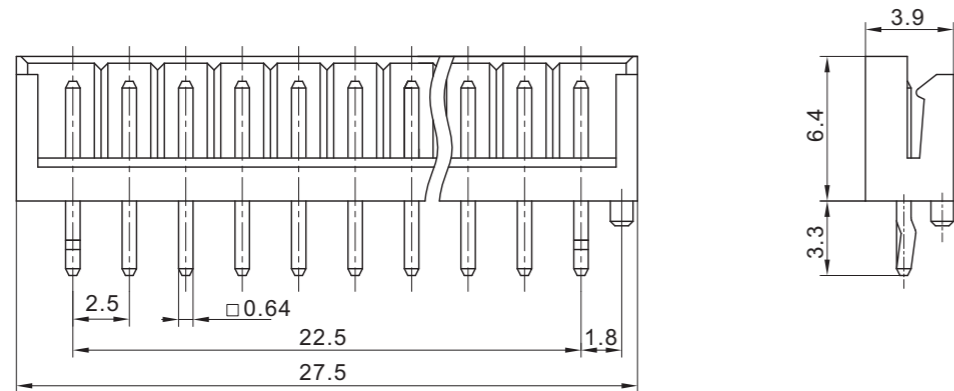


线数 Poles	型号 Type	尺寸 Dimensions (mm)		线数 Poles	型号 Type	尺寸 Dimensions (mm)	
		A	B			A	B
2	EH-2Y	2.5	7	9	EH-9Y	20	24.5
3	EH-3Y	5	9.5	10	EH-10Y	22.5	27
4	EH-4Y	7.5	12	11	EH-11Y	25	29.5
5	EH-5Y	10	14.5	12	EH-12Y	27.5	32
6	EH-6Y	12.5	17	13	EH-13Y	30	34.5
7	EH-7Y	15	19.5	14	EH-14Y	32.5	37
8	EH-8Y	17.5	22	15	EH-15Y	35	39.5
材质·表面处理 Material and Finish				PA66 UL94V-0·White			

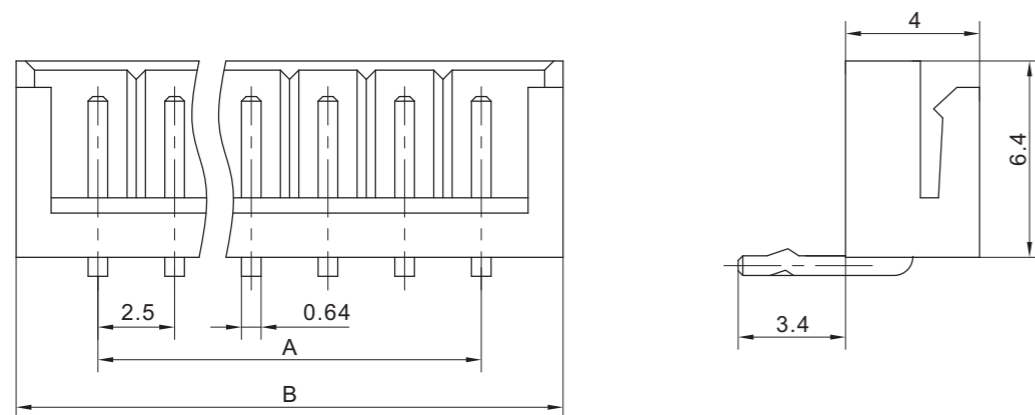
阳连接器 (直式) WAFER (180°)



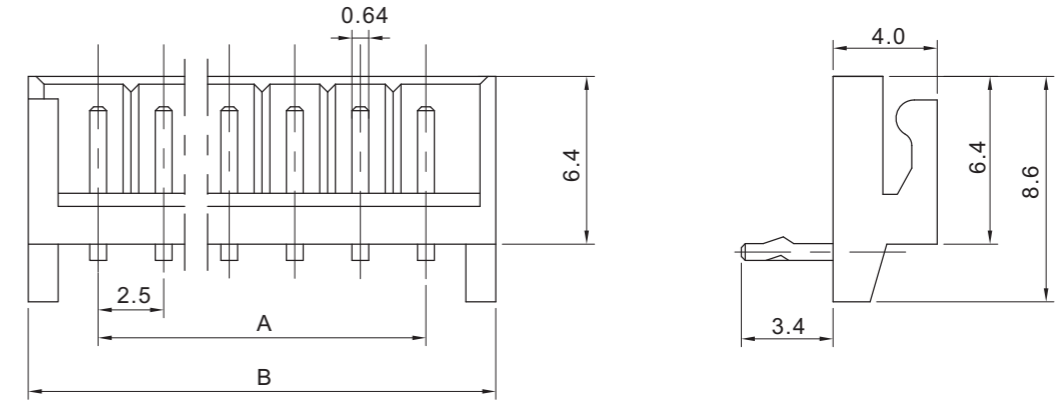
阳连接器 (直式定位柱) WAFER (180°)



阳连接器 (弯式) WAFER (90°)



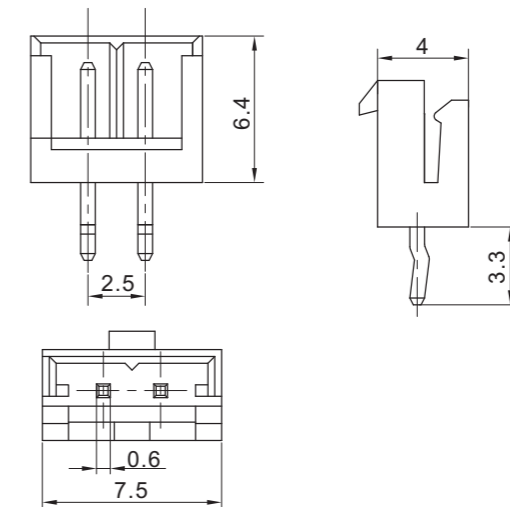
阳连接器 (弯式定位) WAFER (90°)



线数 Poles	型号 Type				尺寸 Dimensions (mm)		线数 Poles	型号 Type				尺寸 Dimensions (mm)	
	直式 (180°)	直式定位 柱 180°	弯式 (90°)	弯式定位 (90°)	A	B		直式 (180°)	直式定位 柱 180°	弯式定位 (90°)	弯式定位 (90°)	A	B
2	EH-2A	EH-2AD	EH-2AW	EH-2AWJ	2.5	7.5	9	EH-9A	EH-9AD	EH-9AW	EH-9AWJ	20	25
3	EH-3A	EH-3AD	EH-3AW	EH-3AWJ	5	10	10	EH-10A	EH-10AD	EH-10AW	EH-10AWJ	22.5	27.5
4	EH-4A	EH-4AD	EH-4AW	EH-4AWJ	7.5	12.5	11	EH-11A	EH-11AD	EH-11AW	EH-11AWJ	25	30
5	EH-5A	EH-5AD	EH-5AW	EH-5AWJ	10	15	12	EH-12A	EH-12AD	EH-12AW	EH-12AWJ	27.5	32.5
6	EH-6A	EH-6AD	EH-6AW	EH-6AWJ	12.5	17.5	13	EH-13A	EH-13AD	EH-13AW	EH-13AWJ	30	35
7	EH-7A	EH-7AD	EH-7AW	EH-7AWJ	15	20	14	EH-14A	EH-14AD	EH-14AW	EH-14AWJ	32.5	37.5
8	EH-8A	EH-8AD	EH-8AW	EH-8AWJ	17.5	22.5	15	EH-15A	EH-15AD	EH-15AW	EH-15AWJ	35	40

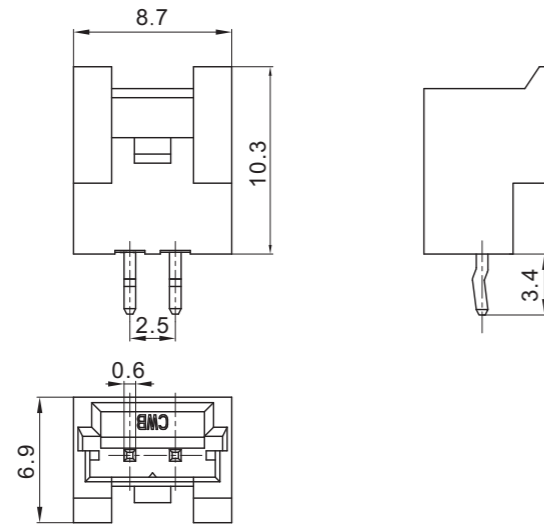
材质·表面处理 Material and Finish PA66 UL94V-0·White; 黄铜 镀锡 Brass Tin·Plated

阳连接器 (WAFER)



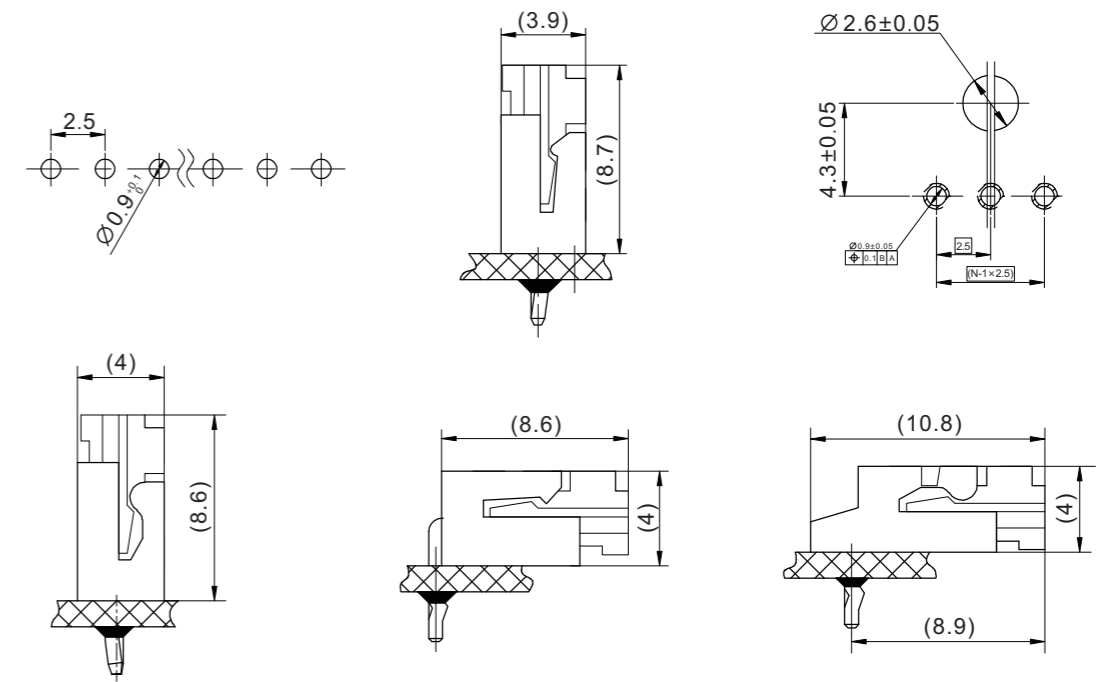
线数 Poles	型号 Type
2	EH-2A-S
材质·表面处理 Material and Finish	
PA66 UL94V-0 黄铜 镀锡 Brass Tin·Plated	

阳连接器 (WAFER)

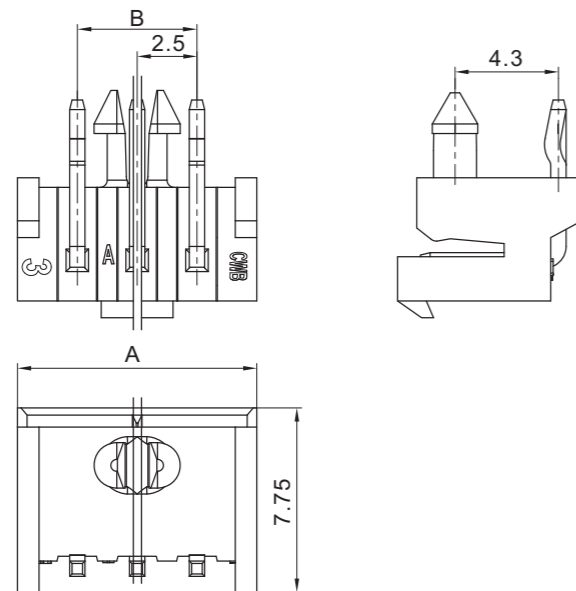


线数 Poles	型号 Type
2	EH-2ADS
材质 · 表面处理 Material and Finish	
PA66 UL94V-2 黄铜 镀锡 Brass Tin · Plated	

安装尺寸 MOUNTING MEASUREMENT



阳连接器 (WAFER)



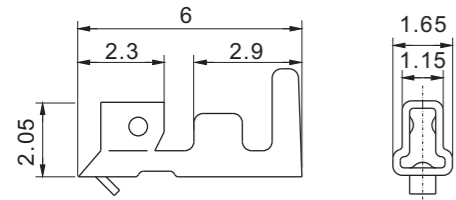
线数 Poles	型号 Type	尺寸 Dimensions (mm)	
		A	B
2	EH-2AWJDS	7.5	2.5
3	EH-3AWJDS	10	5
材质 · 表面处理 Material and Finish			
PA66 UL94V-0 · White 黄铜 镀锡 Brass Tin · Plated			



技术参数 (SPECIFICATIONS)

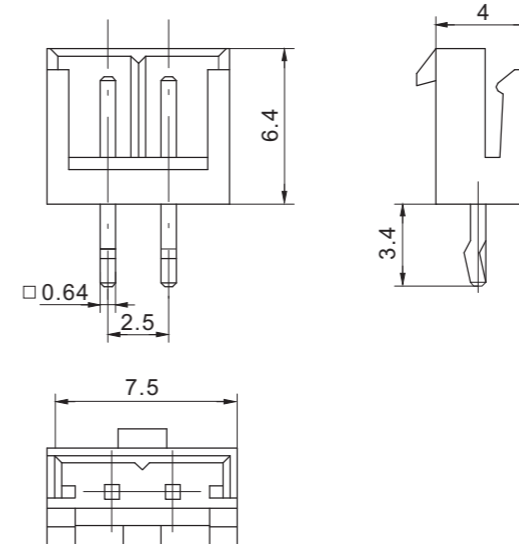
适用线规 (Applicable wires) : AWG30#~22#
 适应基板厚度 (Applicable PC board thickness) : 1.6mm
 温度范围 (Temperature range) : -25℃~85℃
 额定电压 (Voltage rating) : 250V AC/DC
 额定电流 (Current rating) : 3A
 接触电阻 (Contact resistance) : $\leq 0.01\Omega$
 绝缘电阻 (Insulation resistance) : $\geq 1000M\Omega$
 耐压 (Withstand voltage) : 1000V AC/minute

端子 TERMINAL



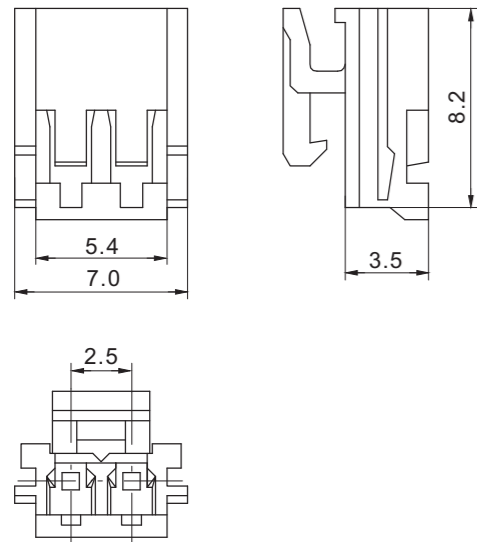
型号 Type	适用导线范围 Wire Range		导线外径 Wire ins.Dis
	mm ²	AWG#	
EH	0.05 ~ 0.33	30 ~ 22	1.0~1.9
材质 · 表面处理 Material and Finish			
磷青铜 Phos · bronze Tin · Plated			

阳连接器 (直式) WAFER (180 °)



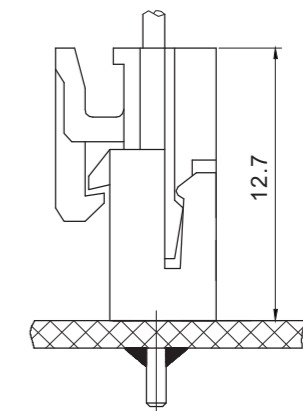
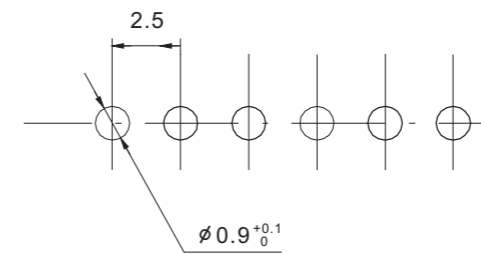
线数Poles	型号Type
2	EH-2A-S
材质 · 表面处理 Material and finish	
PA66 UL94V-0 · BBlack;黄铜 镀锡 Brass Tin · Plated	

阴连接器 HOUSING



线数Poles	型号Type
2	EH-2Y-S
材质 · 表面处理 Material and finish	
PA66 UL94V-0 · BBlack	

安装尺寸 MOUNTING MEASUREMENT



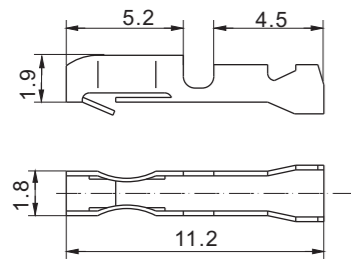


技术参数 (SPECIFICATIONS)

适用线规 (Applicable wires) : AWG28#~22#
 适应基板厚度 (Applicable PC board thickness) : 1.2~1.6mm
 温度范围 (Temperature range) : -25°C~85°C
 额定电压 (Voltage rating) : 250V AC/DC
 额定电流 (Current rating) : 3A
 接触电阻 (Contact resistance) : $\leq 0.01\Omega$
 绝缘电阻 (Insulation resistance) : $\geq 1000M\Omega$
 耐压 (Withstand voltage) : 1000V AC/minute

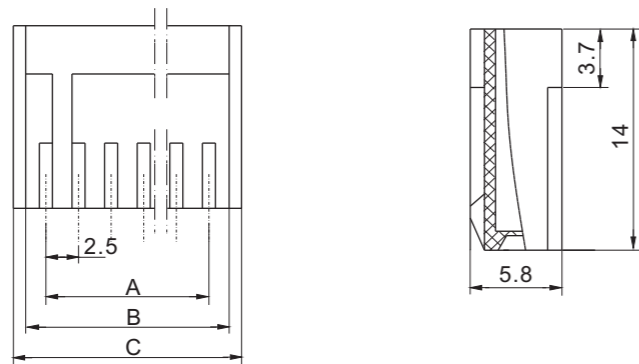
认证 (STANDARDS) : E200881

端子 TERMINAL



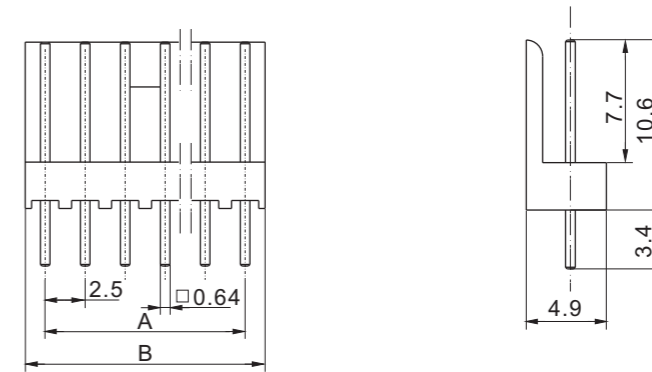
型号 Type	适用导线范围 Wire Range		导线外径 Wire ins.Dis
	mm ²	AWG#	
EI	0.08 ~ 0.33	28 ~ 22	1.2~1.9
材质 · 表面处理 Material and Finish			
磷青铜 Phos · bronze Tin · Plated			

阴连接器 HOUSING



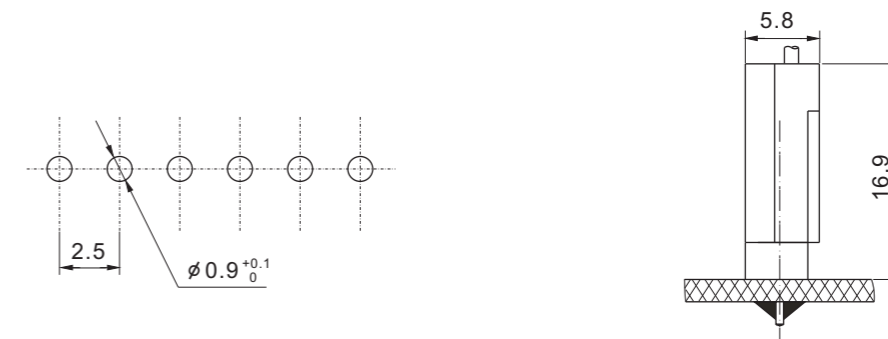
线数 Poles	型号 Type	尺寸 Dimensions(mm)			线数 Poles	型号 Type	尺寸 Dimensions(mm)		
		A	B	C			A	B	C
3	EI-3Y	5.0	8.1	10.6	8	EI-8Y	17.5	20.6	22.5
4	EI-4Y	7.5	10.6	13.1	9	EI-9Y	20.0	23.1	25.0
5	EI-5Y	12.5	13.1	15.6	10	EI-10Y	22.5	25.6	27.5
6	EI-6Y	10.0	15.6	18.1	11	EI-11Y	25.0	28.1	30.0
7	EI-7Y	15.0	18.1	20.6	12	EI-12Y	27.5	30.6	32.5
材质 · 表面处理 Material and Finish					PA66 UL94V-2 · White				

阳连接器 WAFER



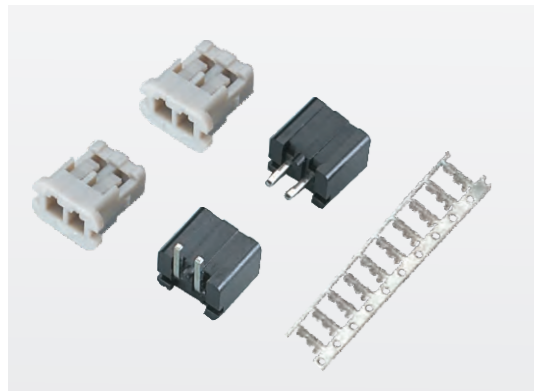
线数 Poles	型号 Type	尺寸 Dimensions(mm)		线数 Poles	型号 Type	尺寸 Dimensions(mm)	
		A	B			A	B
3	EI-3A	5.0	7.5	8	EI-8A	17.5	20.0
4	EI-4A	7.5	10.0	9	EI-9A	20.0	22.5
5	EI-5A	10.0	12.5	10	EI-10A	22.5	25.0
6	EI-6A	12.5	15.0	11	EI-11A	25.0	27.5
7	EI-7A	15.0	17.5	12	EI-12A	27.5	30.0
材质 · 表面处理 Material and Finish				PA66 UL94V-2 · White; 黄铜 镀锡 Brass Tin · Plated			

安装尺寸 MOUNTING MEASUREMENT



M63 孔座 & MEH 型条形连接器
M63 Housing & MEH Bar Connector

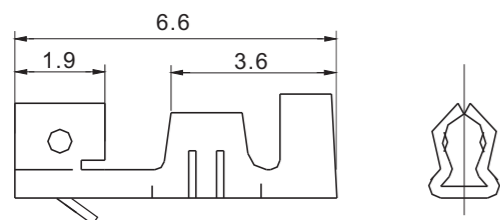
间距 (space) : 2.5mm



技术参数 (SPECIFICATIONS)

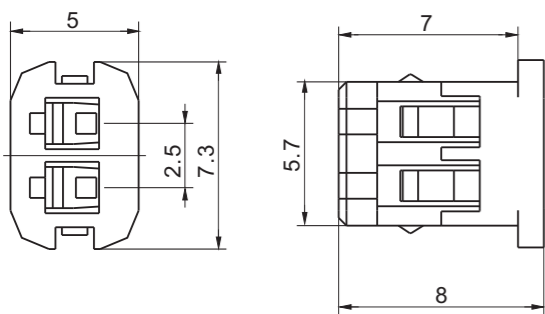
温度范围 (Temperature range) : -25°C~85°C
 额定电压 (Voltage rating) : 250V AC/DC
 额定电流 (Current rating) : 3A
 接触电阻 (Contact resistance) : ≤0.02Ω
 绝缘电阻 (Insulation resistance) : ≥1000MΩ
 耐压 (Withstand voltage) : 1000V AC/minute

端子 TERMINAL



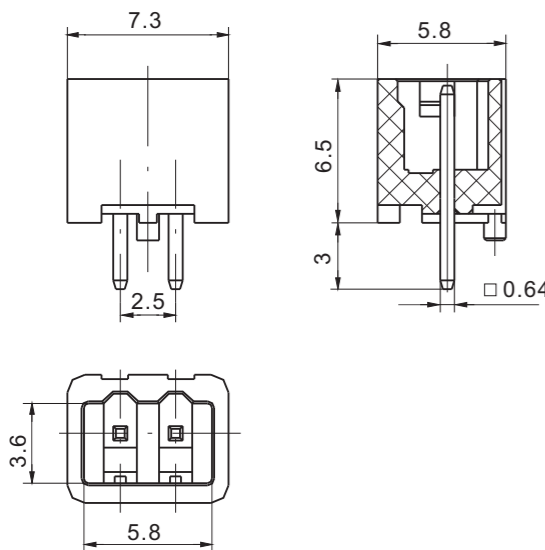
型号 Type	适用导线范围 Wire Range		导线外径 Wire ins.Dis
	mm ²	AWG#	
M63	0.08 ~ 0.2	28 ~ 24	1.9~2.2
材质·表面处理 Material and Finish			
磷青铜 Phos·bronze Tin·Plated			

阴连接器 HOUSING



线数 Poles	型号 Type
2	M63
材质·表面处理 Material and Finish	
PA66 UL94V-0 · Grey	

阳连接器 WAFER



线数 Poles	型号 Type
2	MEH-2A
材质·表面处理 Material and Finish	
PA66 UL94V-0 · Black	

SCN 型条形连接器
SCN Bar Connector

间距 (space) : 2.5mm

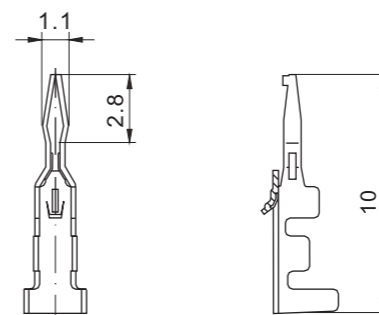
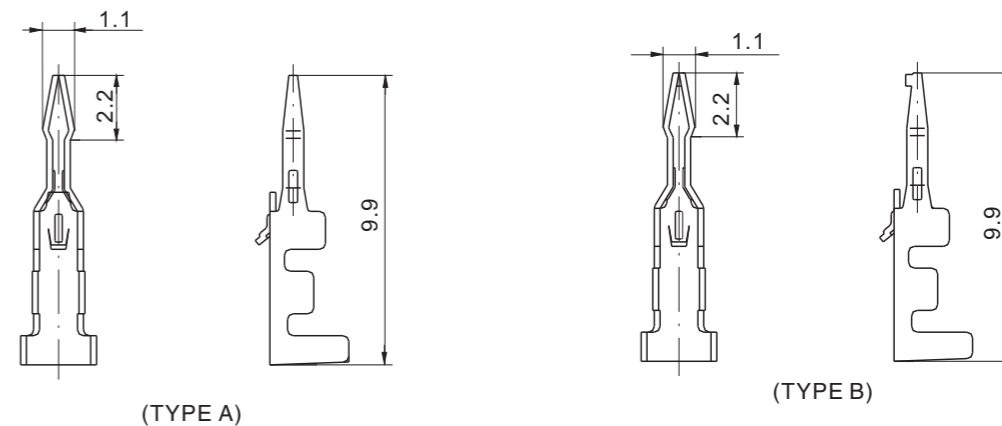


技术参数 (SPECIFICATIONS)

适用线规 (Applicable wires) : AWG28#~22#
 适应基板厚度 (Applicable PC board thickness) : 1.2~1.6mm
 温度范围 (Temperature range) : -25°C~85°C
 额定电压 (Voltage rating) : 250V AC/DC
 额定电流 (Current rating) : 3A
 绝缘电阻 (Insulation resistance) : ≥1000MΩ
 耐压 (Withstand voltage) : 1000V AC/minute

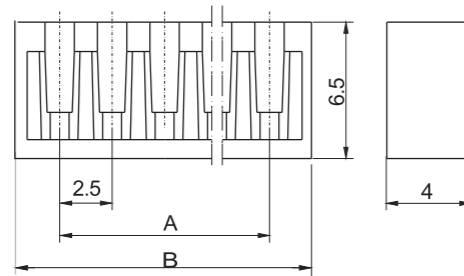
认证 (STANDARDS) : E200881

端子 TERMINAL



型号 Type	适用导线范围 Wire Range		导线外径 Wire ins.Dis
	mm ²	AWG#	
SCN	0.08 ~ 0.33	30 ~ 22	0.9~1.7
材质·表面处理 Material and Finish			
磷青铜 Phos·bronze Tin·Plated			

壳体 HOUSING

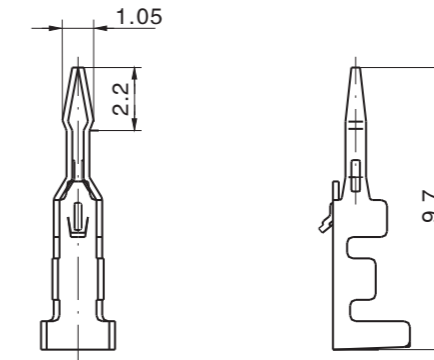


技术参数 (SPECIFICATIONS)

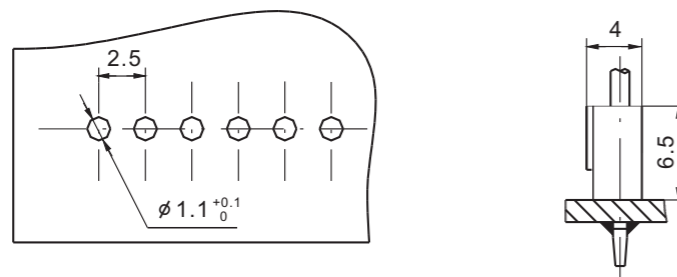
适用线规 (Applicable wires) : AWG28#~22#
 适应基板厚度 (Applicable PC board thickness) : 1.2~1.6mm
 温度范围 (Tempraturerange) : -25℃~85℃
 额定电压 (Voltage rating) : 250V AC/DC
 额定电流 (Current rating) : 2A
 绝缘电阻 (Insulation resistance) : ≥1000MΩ
 耐压 (Withstand voltage) : 1000V AC/minute

端子 TERMINAL

线数 Poles	型号 Type	尺寸Dimensions(mm)		线数 Poles	型号 Type	尺寸Dimensions(mm)	
		A	B			A	B
2	SCN-2A	2.5	6.5	9	SCN-9A	20.0	24.0
3	SCN-3A	5.0	9.0	10	SCN-10A	22.5	26.5
4	SCN-4A	7.5	11.5	11	SCN-11A	25.0	29.0
5	SCN-5A	10.0	14.0	12	SCN-12A	27.5	31.5
6	SCN-6A	12.5	16.5	13	SCN-13A	30.0	34.0
7	SCN-7A	15.0	19.0	14	SCN-14A	32.5	36.5
8	SCN-8A	17.5	21.5	15	SCN-15A	35.0	39.0
材质·表面处理 Material and Finish				PA66 UL94V-0 · White PA66 UL94V-2 · White			

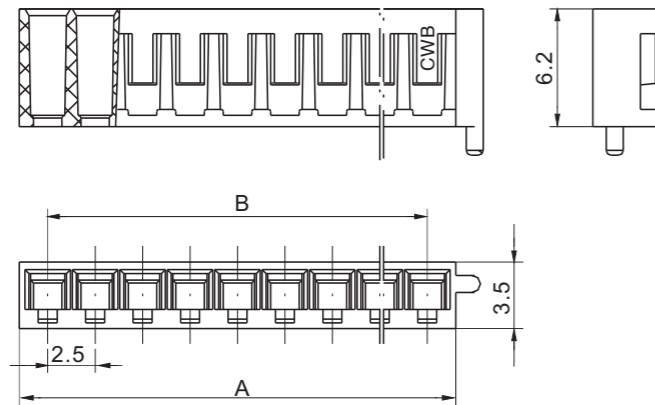


安装尺寸 MOUNTNG MEASUREMENT



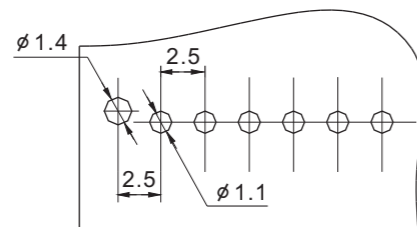
型号 Type	适用导线范围 Wire Range		导线外径 Wire ins.Dis
	mm ²	AWG#	
SCN	0.08 ~ 0.33	28 ~ 22	0.9~1.7
材质·表面处理 Material and Finish			
磷青铜 Phos · bronze Tin · Plated			

壳体 HOUSING



线数 Poles	型号 Type	尺寸 Dimensions(mm)	
		A	B
2	SCND-2A	5.5	2.5
3	SCND-3A	8.0	5.0
4	SCND-4A	10.5	7.5
5	SCND-5A	13.0	10.0
6	SCND-6A	15.5	12.5
7	SCND-7A	18.0	15.0
8	SCND-8A	20.5	17.5
9	SCND-9A	23.0	20.0
10	SCND-10A	25.5	22.5
11	SCND-11A	28.0	25.0
12	SCND-12A	30.5	27.5
13	SCND-13A	33.0	30.0
14	SCND-14A	35.5	32.5
15	SCND-15A	38.0	35.0
材质·表面处理 Material and finish		PA66 UL94V-2·White	

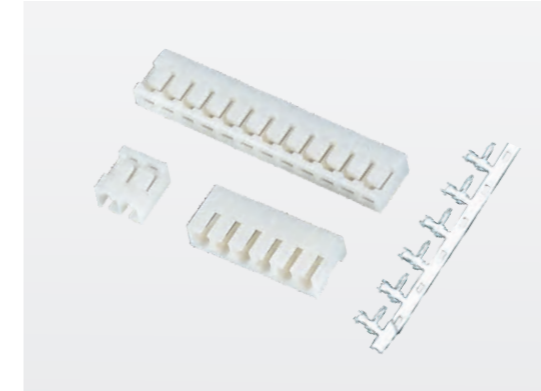
安装尺寸 MOUNTING MEASUREMENT



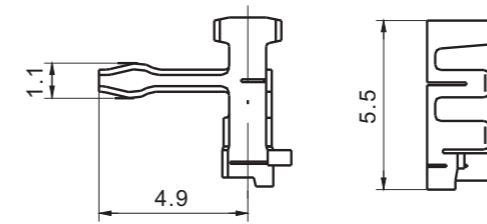
技术参数 (SPECIFICATIONS)

适用线规 (Applicable wires) : AWG28#~22#
 适应基板厚度 (Applicable PC board thickness) : 1.2~1.6mm
 温度范围 (Temperature range) : -25°C~85°C
 额定电压 (Voltage rating) : 250V AC/DC
 额定电流 (Current rating) : 2A
 绝缘电阻 (Insulation resistance) : ≥1000MΩ
 耐压 (Withstand voltage) : 1000V AC/minute

认证 (STANDARDS) : E200881

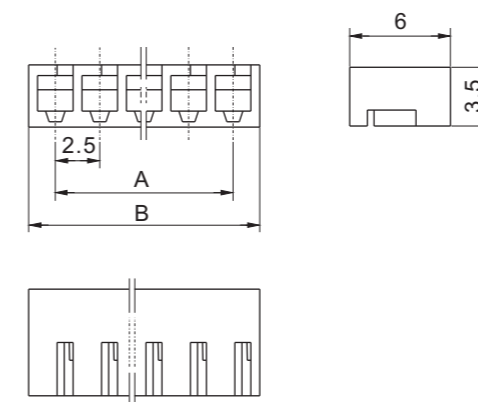


端子 TERMINAL



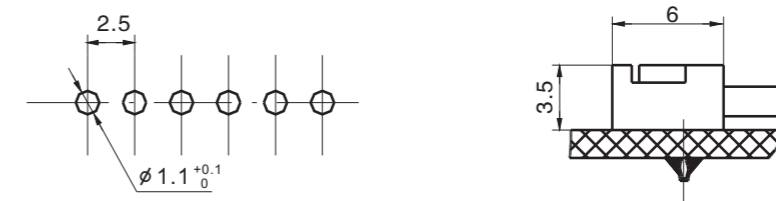
型号 Type	适用导线范围 Wire Range		导线外径 Wire ins.Dis
	mm	AWG#	
SCNW	0.08 ~ 0.33	28 ~ 22	0.9~1.7
材质·表面处理 Material and Finish			
磷青铜 Phos·bronze Tin·Plated			

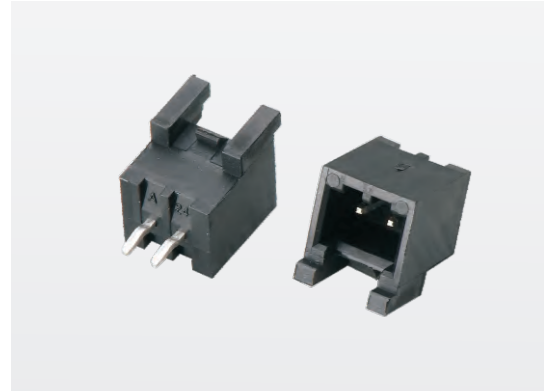
壳体 HOUSING



线数 Poles	型号 Type	尺寸 Dimensions(mm)		线数 Poles	型号 Type	尺寸 Dimensions(mm)	
		A	B			A	B
2	SCNW-2A	2.5	5.5	10	SCNW-10A	22.5	25.5
3	SCNW-3A	5.0	8.0	11	SCNW-11A	25.0	28.0
4	SCNW-4A	7.5	10.5	12	SCNW-12A	27.5	30.5
5	SCNW-5A	10.0	13.0	13	SCNW-13A	30.0	33.0
6	SCNW-6A	12.5	15.5	14	SCNW-14A	32.5	35.5
7	SCNW-7A	15.0	18.0	15	SCNW-15A	35.0	38.0
8	SCNW-8A	17.5	20.5	16	SCNW-16A	37.5	40.5
9	SCNW-9A	20.0	23.0				
材质·表面处理 Material and Finish							
PA66 UL94V-0 · White							

安装尺寸 MOUNTING MEASUREMENT

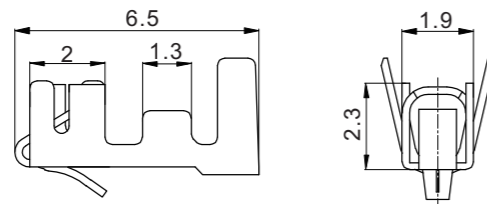




技术参数 (SPECIFICATIONS)

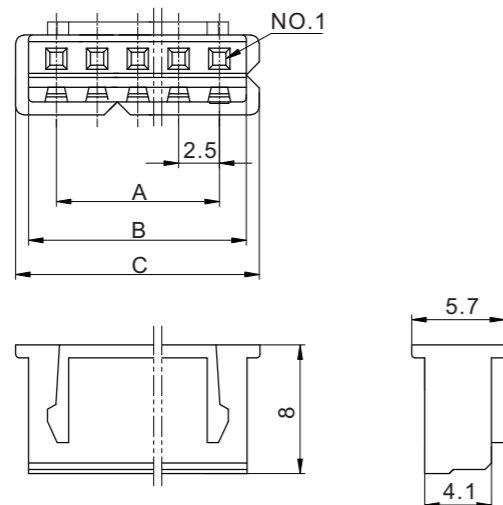
适用线规 (Applicable wires) : AWG28#~22#
 适应基板厚度 (Applicable PC board thickness) : 1.6 mm
 温度范围 (Temperature range) : -25°C~105°C
 额定电压 (Voltage rating) : 250V AC/DC
 额定电流 (Current rating) : 3A
 接触电阻 (Contact resistance) : ≤0.01Ω
 绝缘电阻 (Insulation resistance) : ≥1000MΩ
 耐电压 (Withstand voltage) : 1000V AC/minute
 认证 (STANDARDS) : E200881

端子 TERMINAL

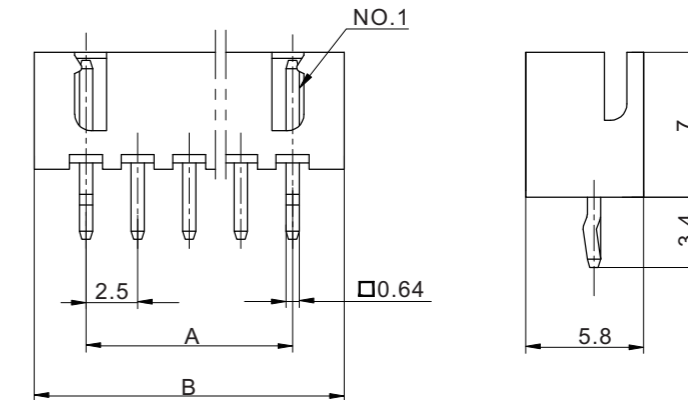


型号 Type	适用导线范围 Wire Range		导线外径 Wire ins.Dis
	mm ²	AWG#	
TJC3	0.08 ~ 0.326	28 ~ 22	1.15~1.8
材质·表面处理 Material and Finish			
磷青铜 Phos·bronze Tin·Plated			

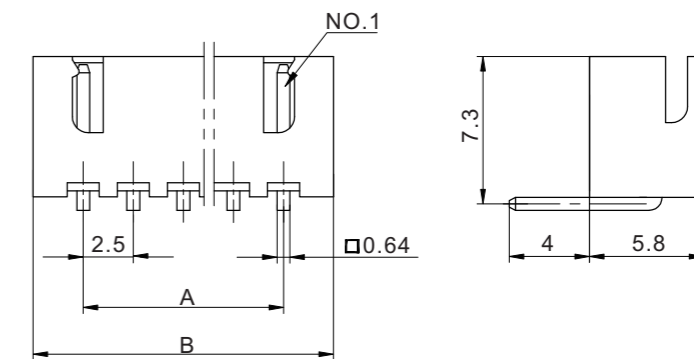
阴连接器 HOUSING



阳连接器 (直式) HEADER (180°)

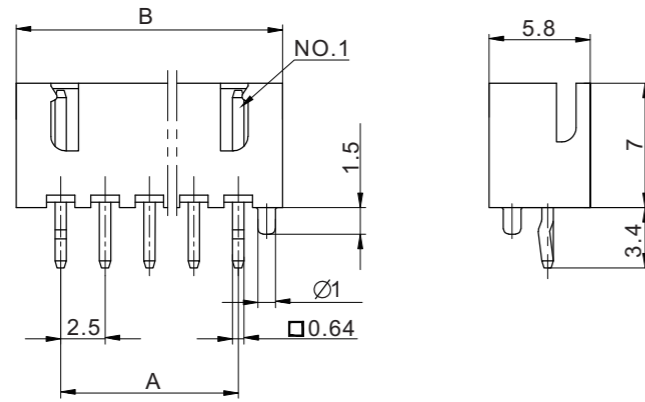


阳连接器 (弯式) HEADER (90°)



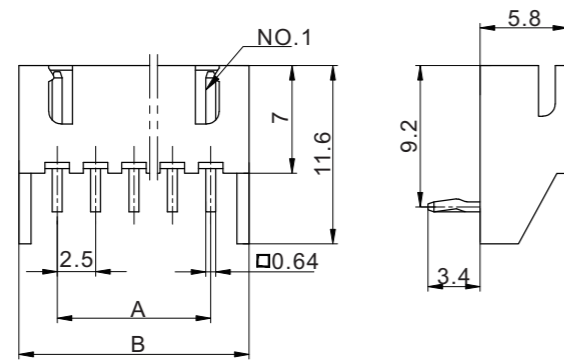
线数 Poles	型号 Type	尺寸 Dimensions(mm)			线数 Poles	型号 Type	尺寸 Dimensions(mm)		
		A	B	C			A	B	C
2	TJC3-2Y	1.5	3.4	4.5	9	TJC3-9Y	12.0	13.9	15.0
3	TJC3-3Y	3.0	4.9	6.0	10	TJC3-10Y	13.5	15.4	16.5
4	TJC3-4Y	4.5	6.4	7.5	11	TJC3-11Y	15.0	16.9	18.0
5	TJC3-5Y	6.0	7.9	9.0	12	TJC3-12Y	16.5	18.4	19.5
6	TJC3-6Y	7.5	9.4	10.5	13	TJC3-13Y	18.0	19.9	21.0
7	TJC3-7Y	9.0	10.9	12.0	14	TJC3-14Y	19.5	21.4	22.5
8	TJC3-8Y	10.5	12.4	13.5	15	TJC3-15Y	21.0	22.9	24.0
材质·表面处理 Material and Finish							PA66 UL94V_0-White		

阳连接器 (直式定位) HEADER (180°)

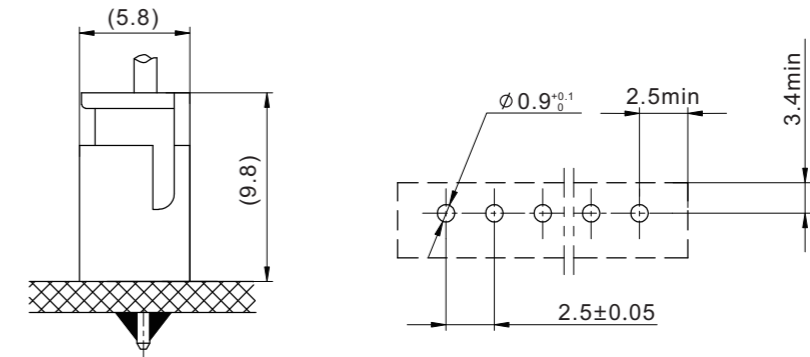


线数 Poles	型号 Type					尺寸 Dimensions(mm)	
	直式 (180°)	弯式 (90°)	直式定位 (180°)	弯式定位 (90°)		A	B
2	TJC3-2A	TJC3-2AW	TJC3-2AD	TJC3-2AWJ	TJC3-2AJ	2.5	7.5
3	TJC3-3A	TJC3-3AW	TJC3-3AD	TJC3-3AWJ	TJC3-3AJ	5	10
4	TJC3-4A	TJC3-4AW	TJC3-4AD	TJC3-4AWJ	TJC3-4AJ	7.5	12.5
5	TJC3-5A	TJC3-5AW	TJC3-5AD	TJC3-5AWJ	TJC3-5AJ	10	15
6	TJC3-6A	TJC3-6AW	TJC3-6AD	TJC3-6AWJ	TJC3-6AJ	12.5	17.5
7	TJC3-7A	TJC3-7AW	TJC3-7AD	TJC3-7AWJ	TJC3-7AJ	15	20
8	TJC3-8A	TJC3-8AW	TJC3-8AD	TJC3-8AWJ	TJC3-8AJ	17.5	22.5
9	TJC3-9A	TJC3-9AW	TJC3-9AD	TJC3-9AWJ	TJC3-9AJ	20	25
10	TJC3-10A	TJC3-10AW	TJC3-10AD	TJC3-10AWJ	TJC3-10AJ	22.5	27.5
11	TJC3-11A	TJC3-11AW	TJC3-11AD	TJC3-11AWJ	TJC3-11AJ	25	30
12	TJC3-12A	TJC3-12AW	TJC3-12AD	TJC3-12AWJ	TJC3-12AJ	27.5	32.5
13	TJC3-13A	TJC3-13AW	TJC3-13AD	TJC3-13AWJ	TJC3-13AJ	30	35
14	TJC3-14A	TJC3-14AW	TJC3-14AD	TJC3-14AWJ	TJC3-14AJ	32.5	37.5
15	TJC3-15A	TJC3-15AW	TJC3-15AD	TJC3-15AWJ	TJC3-15AJ	35	40
16	TJC3-16A	TJC3-16AW	TJC3-16AD	TJC3-16AWJ	TJC3-16AJ	37.5	42.5

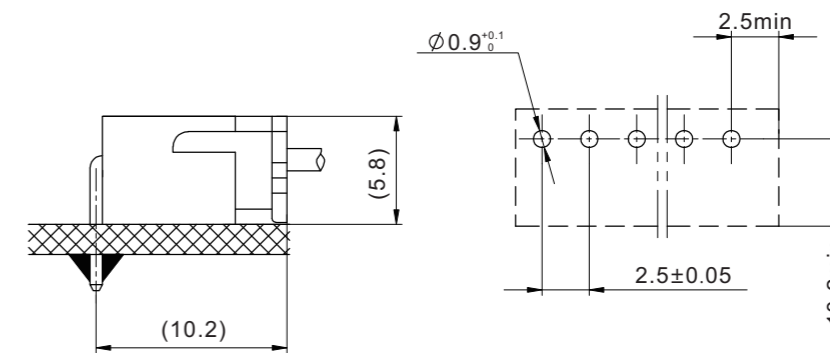
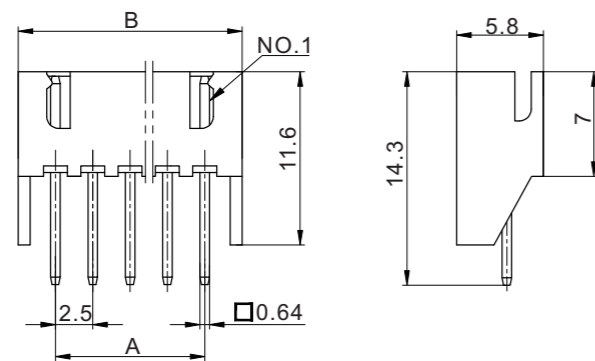
阳连接器 (弯式定位) HEADER (90°)

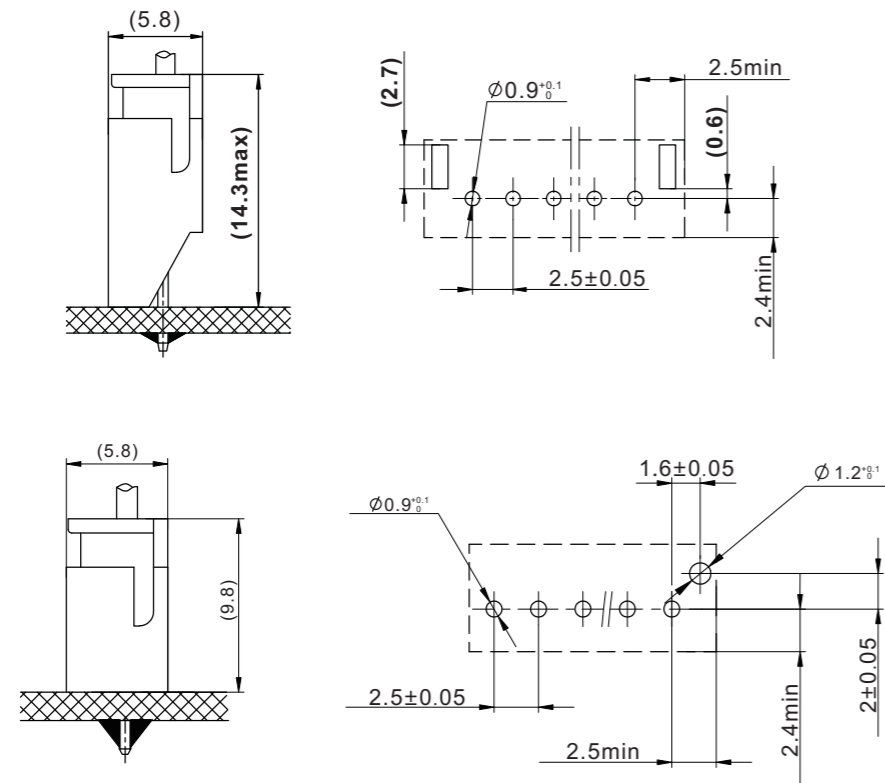


安装尺寸 MOUNTING MEASUREMENT

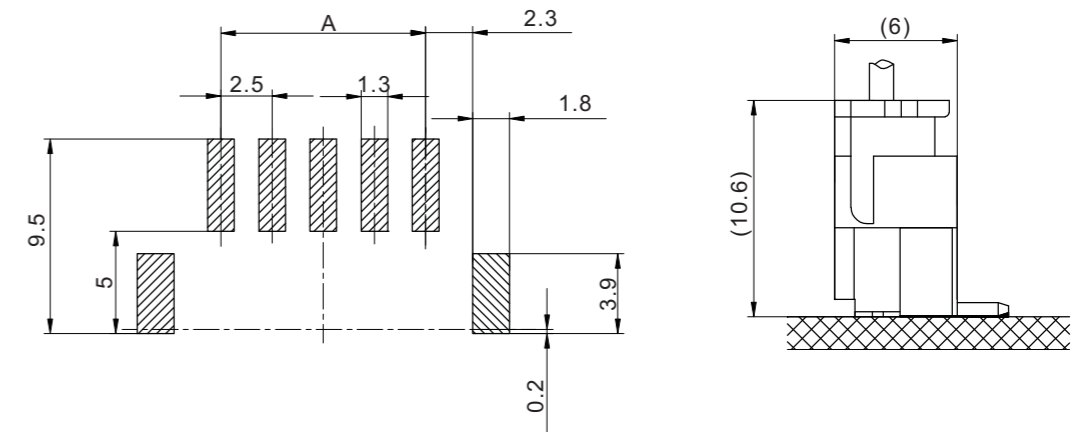


阳连接器 (直式定位) HEADER (180°)

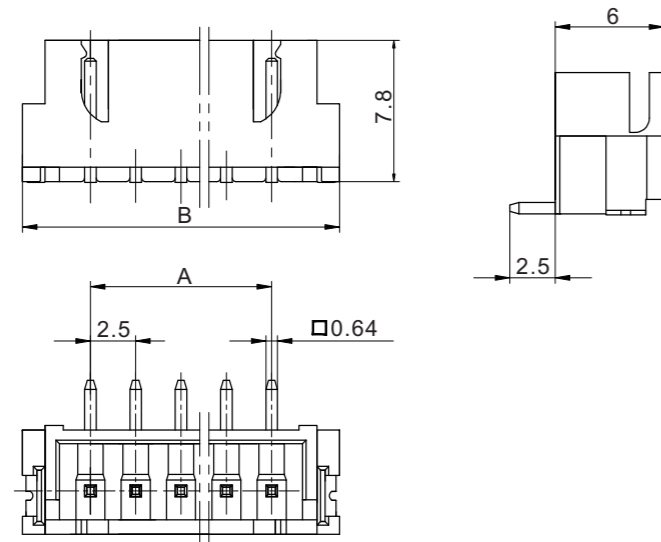




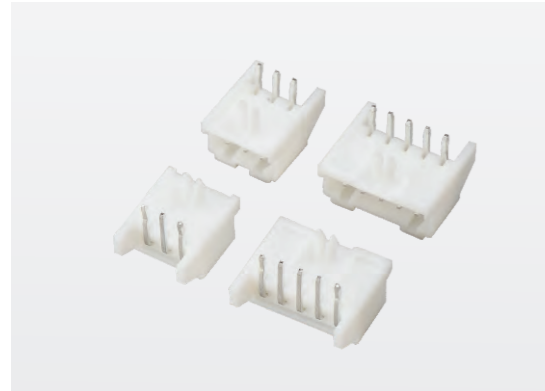
安装尺寸 MOUNTING MEASUREMENT



阳连接器 CONNECTOR



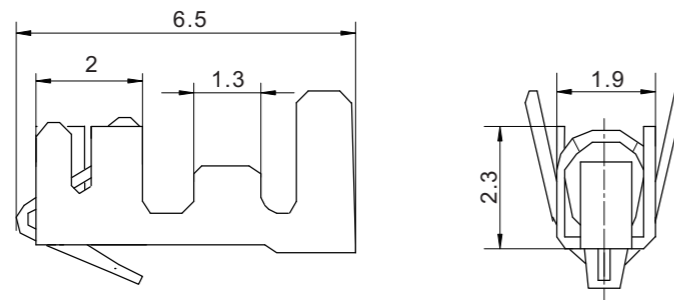
线数 Poles	型号 Type	尺寸 Dimensions(mm)		线数 Poles	型号 Type	尺寸 Dimensions(mm)	
		A	B			A	B
2	TJC3-2AB	2.5	10	9	TJC3-9AB	20	27.5
3	TJC3-3AB	5	12.5	10	TJC3-10AB	22.5	30
4	TJC3-4AB	7.5	15	11	TJC3-11AB	25	32.5
5	TJC3-5AB	10	17.5	12	TJC3-12AB	27.5	35
6	TJC3-6AB	12.5	20	13	TJC3-13AB	30	37.5
7	TJC3-7AB	15	22.5	14	TJC3-14AB	32.5	40
8	TJC3-8AB	17.5	25	15	TJC3-15AB	35	42.5



技术参数 (SPECIFICATIONS)

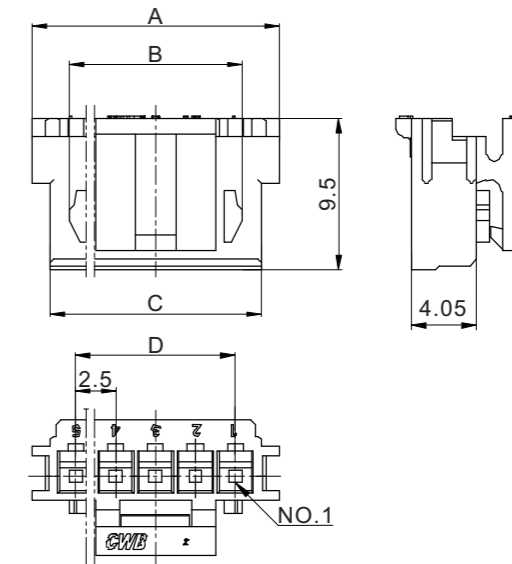
适用线规 (Applicable wires) : AWG28#~22#
 适应基板厚度 (Applicable PC board thickness) : 1.6 mm
 温度范围 (Temperature range) : -25°C~105°C
 额定电压 (Voltage rating) : 250V AC/DC
 额定电流 (Current rating) : 3A
 接触电阻 (Contact resistance) : $\leq 0.01 \Omega$
 绝缘电阻 (Insulation resistance) : $\geq 1000 M\Omega$
 耐电压 (Withstand voltage) : 1000V AC/minute

端子 TERMINAL

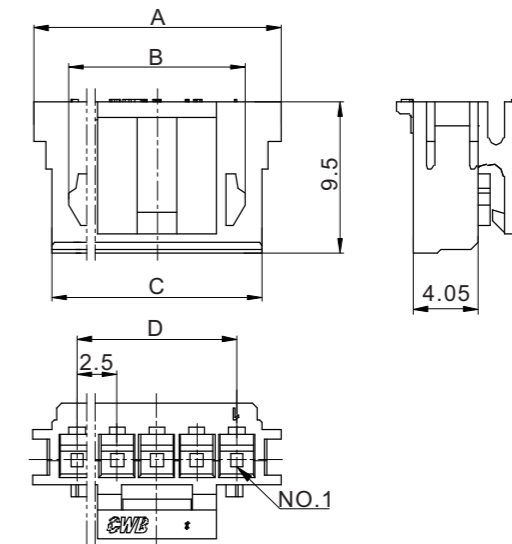


型号 Type	适用导线范围 Wire Range		导线外径 Wire ins.Dis
	mm ²	AWG#	
TJC3	0.08 ~ 0.326	28 ~ 22	1.15 ~ 1.8
材质 · 表面处理 Material and Finish			
磷青铜 Phos · bronze Tin · Plated			

阴连接器 HOUSING

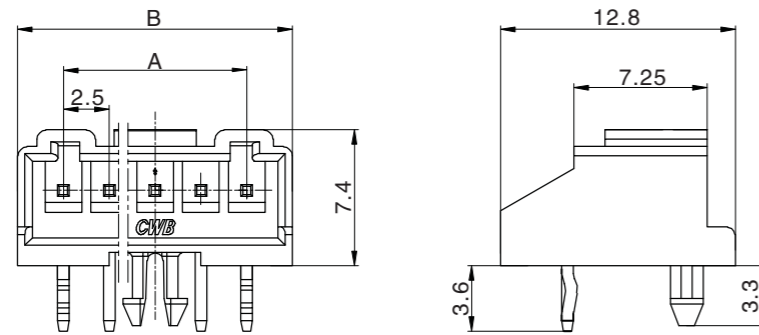


线数 Poles	型号 Type	尺寸Dimensions (mm)			
		A	B	C	C
3	TJC25030-3Y	10.4	6.1	8.2	5.0
5	TJC25030-5Y	15.5	10.8	13.2	10.0
材质 · 表面处理 Material and Finish		PA66 UL94V-0 · White			



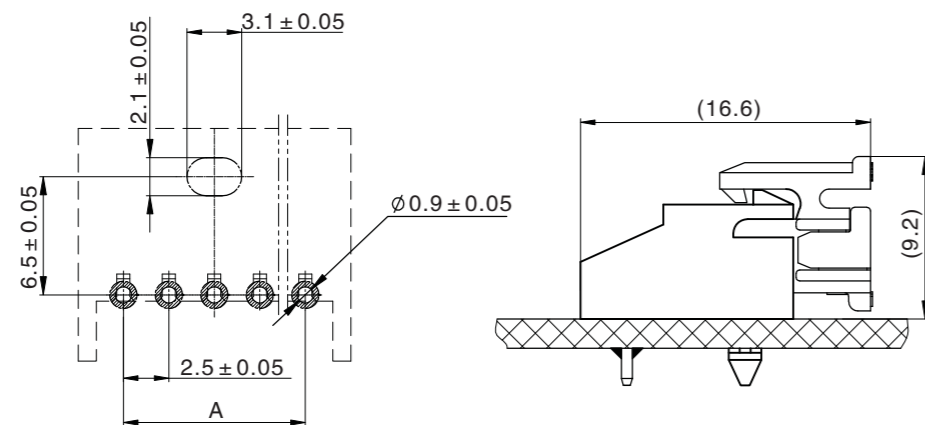
线数 Poles	型号 Type	尺寸Dimensions (mm)	
		A	B
6	TJC25019-6AWJ	12.5	17.5
7	TJC25019-7AWJ	15.0	20.0
8	TJC25019-8AWJ	17.5	22.5
9	TJC25019-9AWJ	20.0	25.0
10	TJC25019-10AWJ	22.5	27.5
11	TJC25019-11AWJ	25.0	30.0
材质·表面处理 Material and Finish		PA66 UL94V-0·White	

连接器 CONNECTOR

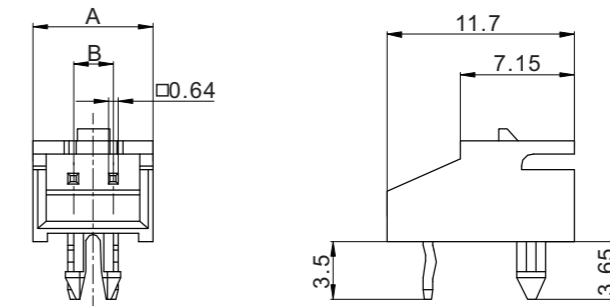


线数 Poles	型号 Type	尺寸Dimensions (mm)	
		A	B
3	TJC25019-3AWJ-1	5.0	10.0
5	TJC25019-5AWJ-1	10.0	15.0
材质·表面处理 Material and Finish		PA66 UL94V-0·White	

TJC25019-AWJ-1 安装尺寸 MOUNTING MEASUREMENT

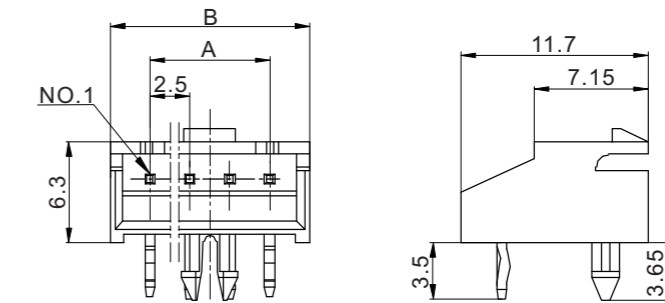


阳连接器 (直式) WAFER (180°)



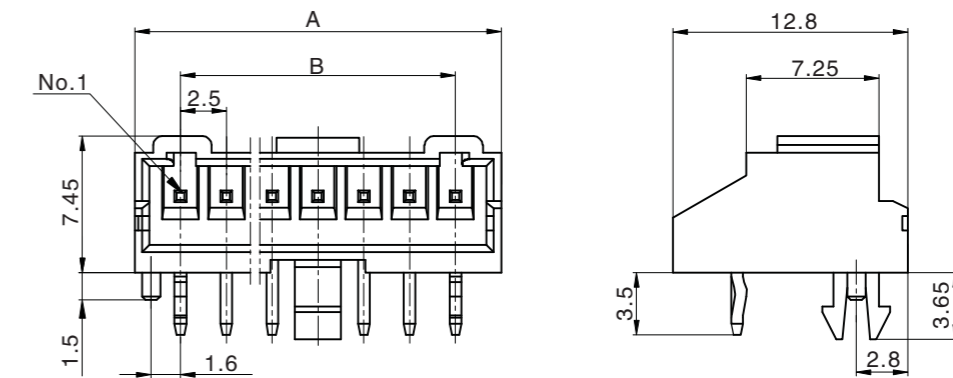
线数 Poles	型号 Type	尺寸Dimensions (mm)	
		A	B
2	TJC25019-2AWJ	7.5	2.5
材质·表面处理 Material and Finish		PA66 UL94V-0·White	

阳连接器 (直式) WAFER (180°)



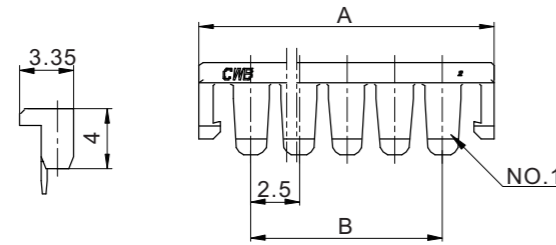
线数 Poles	型号 Type	尺寸Dimensions (mm)	
		A	B
3	TJC25019-3AWJ	10.0	5.0
4	TJC25019-4AWJ	12.5	7.5
5	TJC25019-5AWJ	25.0	10.0
材质·表面处理 Material and Finish		PA66 UL94V-0·White	

连接器 CONNECTOR

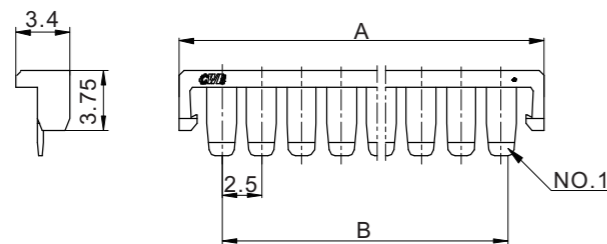


线数 Poles	型号 Type	尺寸Dimensions (mm)			
		A	B	C	D
4	TJC25030-4Y	13.0	8.5	10.7	7.5
6	TJC25030-6Y	18.0	13.5	15.7	12.5
7	TJC25030-7Y	20.5	16.0	18.2	15.0
8	TJC25030-8Y	23.5	18.5	20.7	17.5
9	TJC25030-9Y	25.5	21.0	23.2	20.0
材质·表面处理 Material and Finish		PA66 UL94V-0·White			

锁紧片 Lock plate

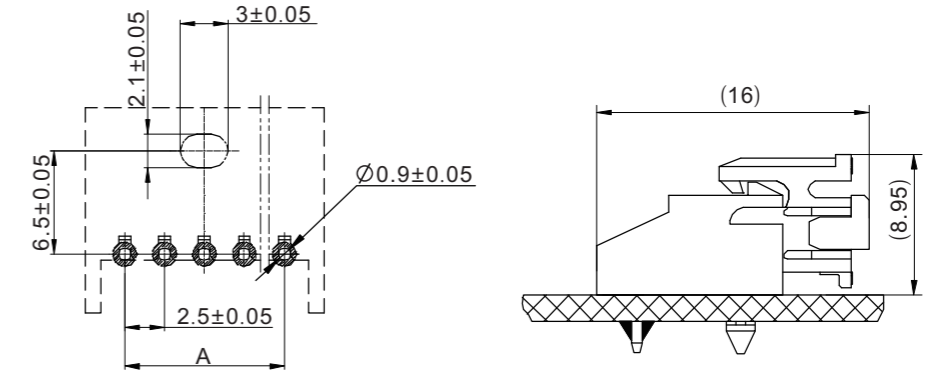


线数 Poles	型号 Type	尺寸Dimensions (mm)	
		A	B
3	TJC25030-3YS	10.4	5.0
5	TJC25030-5YS	15.4	10.0
材质·表面处理 Material and Finish		PA66 UL94V-0·White	

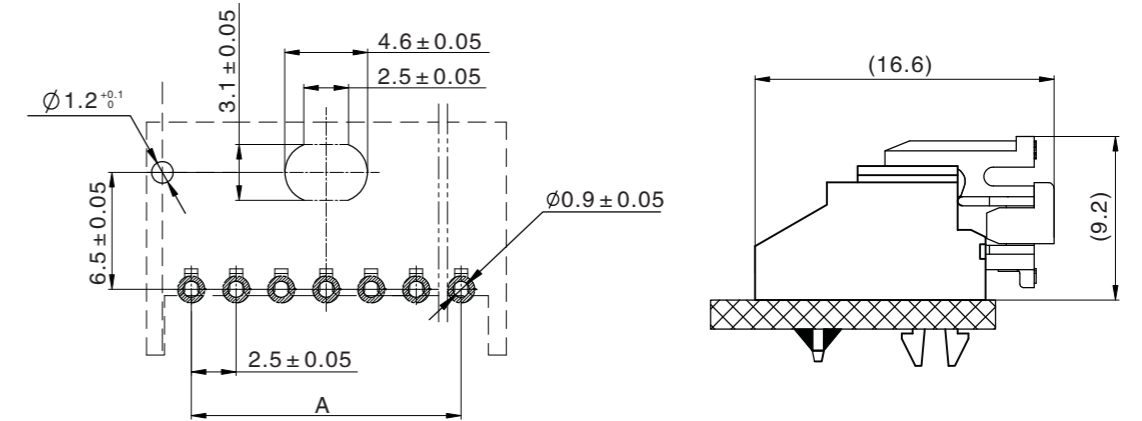


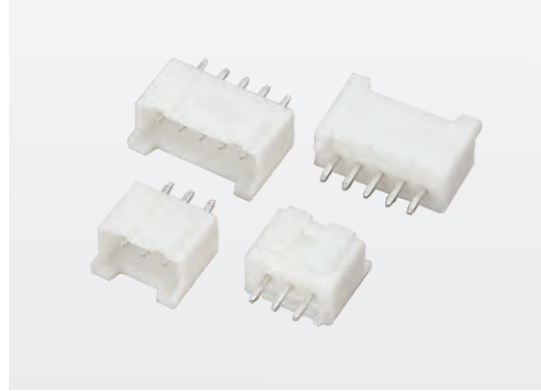
线数 Poles	型号 Type	尺寸Dimensions (mm)	
		A	B
3	TJC25030-4YS	12.9	7.5
4	TJC25030-6YS	17.9	12.5
7	TJC25030-7YS	20.4	15.0
8	TJC25030-8YS	22.9	17.5
9	TJC25030-9YS	25.4	20.0
材质·表面处理 Material and Finish		PA66 UL94V-0·White	

TJC25019-3AWJ~5AWJ安装尺寸 MOUNTING MEASUREMENT



TJC25019-6AWJ~11AWJ安装尺寸 MOUNTING MEASUREMENT

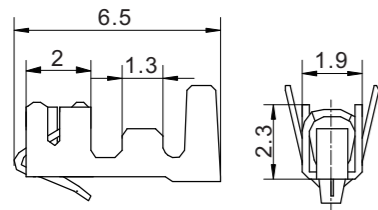




技术参数 (SPECIFICATIONS)

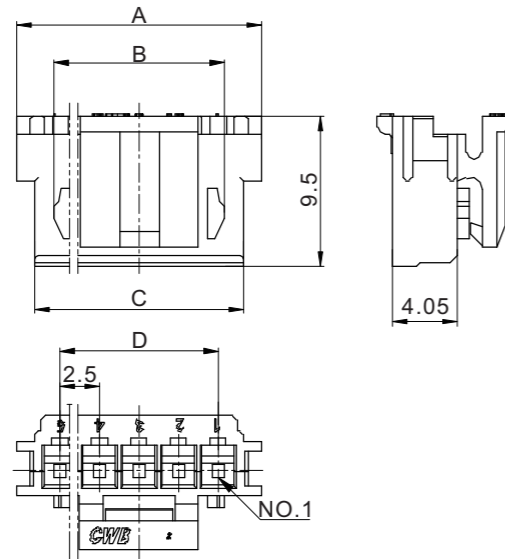
适用线规 (Applicable wires) : AWG28#~22#
 适应基板厚度 (Applicable PC board thickness) : 1.6 mm
 温度范围 (Temperature range) : -25°C~105°C
 额定电压 (Voltage rating) : 250V AC/DC
 额定电流 (Current rating) : 3A
 接触电阻 (Contact resistance) : ≤0.01Ω
 绝缘电阻 (Insulation resistance) : ≥1000MΩ
 耐电压 (Withstand voltage) : 1000V AC/minute

端子 TERMINAL

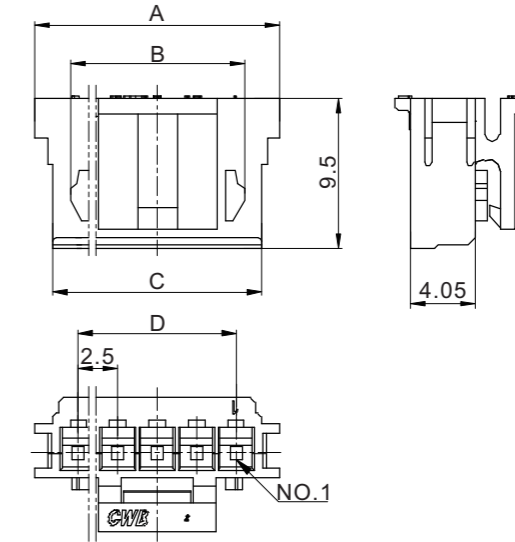


型号 Type	适用导线范围 Wire Range		导线外径 Wire ins.Dis
	mm ²	AWG#	
TJC3	0.08 ~ 0.326	28 ~ 22	1.15 ~ 1.8
材质·表面处理 Material and Finish			
磷青铜 Phos·bronze Tin·Plated			

阴连接器 HOUSING

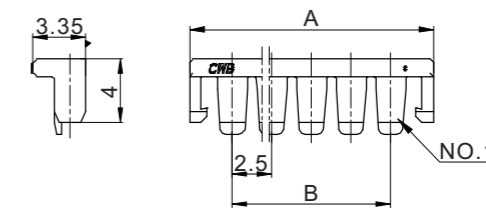


线数 Poles	型号 Type	尺寸Dimensions (mm)			
		A	B	C	C
3	TJC25030-3Y	10.4	6.1	8.2	5.0
5	TJC25030-5Y	15.5	10.8	13.2	10.0
材质·表面处理 Material and Finish		PA66 UL94V-0·White			

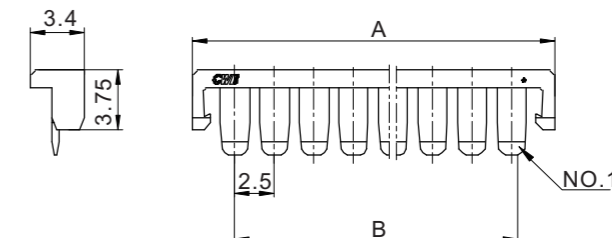


线数 Poles	型号 Type	尺寸Dimensions (mm)			
		A	B	C	D
4	TJC25030-4Y	13.0	8.5	10.7	7.5
6	TJC25030-6Y	18.0	13.5	15.7	12.5
7	TJC25030-7Y	20.5	16.0	18.2	15.0
8	TJC25030-8Y	23.5	18.5	20.7	17.5
9	TJC25030-9Y	25.5	21.0	23.2	20.0
材质·表面处理 Material and Finish		PA66 UL94V-0·White			

锁紧片 Lock plate

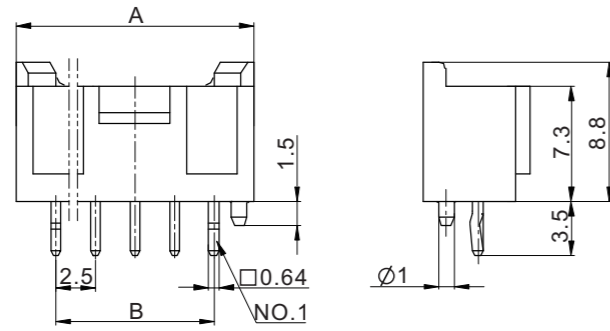


线数 Poles	型号 Type	尺寸Dimensions (mm)	
		A	B
3	TJC25030-3YS	10.4	5.0
5	TJC25030-5YS	15.4	10.0
材质·表面处理 Material and Finish		PA66 UL94V-0·White	



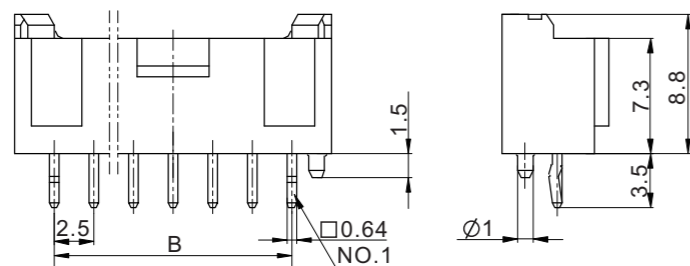
线数 Poles	型号 Type	尺寸Dimensions (mm)	
		A	B
3	TJC25030-4YS	12.9	7.5
4	TJC25030-6YS	17.9	12.5
7	TJC25030-7YS	20.4	15.0
8	TJC25030-8YS	22.9	17.5
9	TJC25030-9YS	25.4	20.0
材质·表面处理 Material and Finish		PA66 UL94V-0·White	

阳连接器 (直式) WAFER (180°)



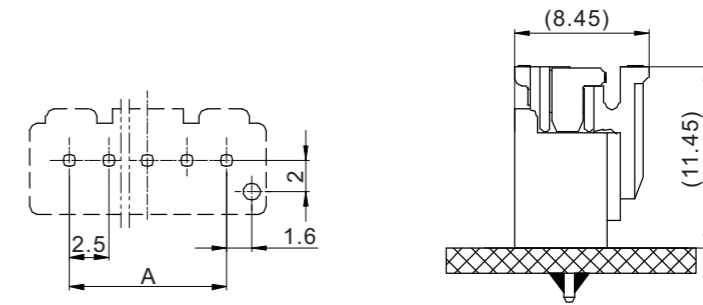
线数 Poles	型号 Type	尺寸Dimensions (mm)	
		A	B
3	TJC25025-3A	10	5
4	TJC25025-4A	12.5	7.5
5	TJC25025-5A	15	10
材质·表面处理 Material and Finish		PA66 UL94V-0·White	

阳连接器 (直式) WAFER (180°)

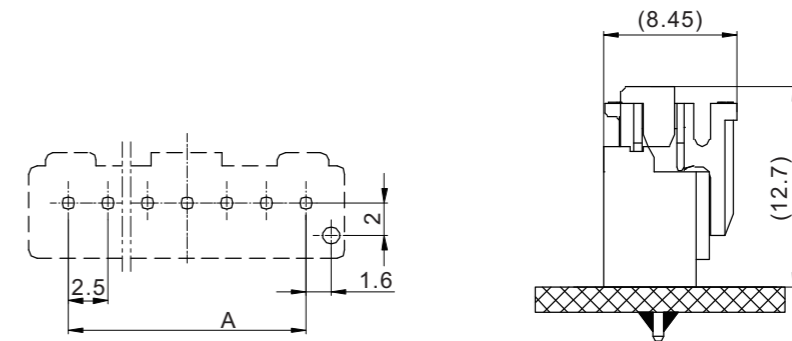


线数 Poles	型号 Type	尺寸Dimensions (mm)	
		A	B
6	TJC25025-6A	17.5	12.5
7	TJC25025-7A	20.0	15.0
8	TJC25025-8A	22.5	17.5
9	TJC25025-9A	25.0	20.0
10	TJC25025-10A	27.5	22.5
11	TJC25025-11A	30.0	25.0
12	TJC25025-12A	32.5	27.5
材质·表面处理 Material and Finish		PA66 UL94V-0·White	

TJC25025-3A~5A 安装尺寸 MOUNTING MEASUREMENT




TJC25025-4A、6A~12A 安装尺寸 MOUNTING MEASUREMENT

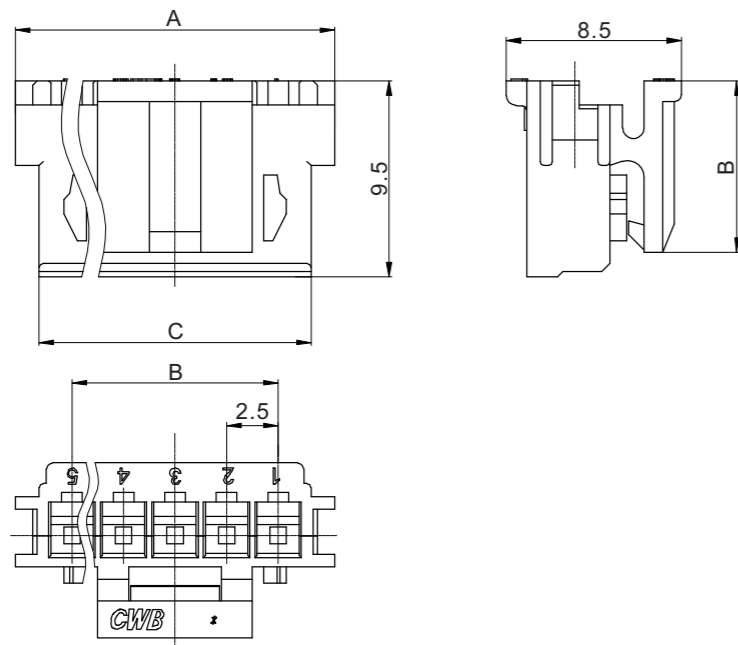




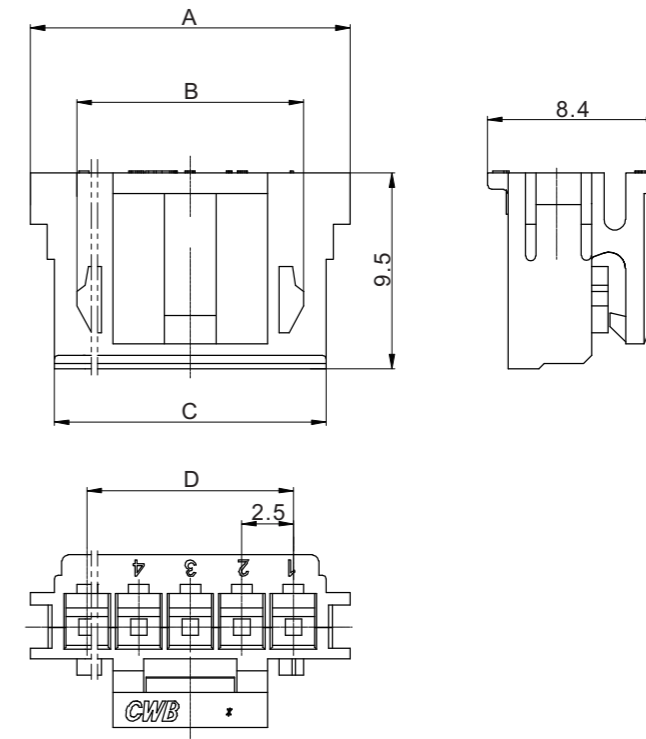
技术参数 (SPECIFICATIONS)

温度范围 (Temperature range) : -25°C~+85°C
 额定电压 (Voltage rating) : 250V AC/DC
 额定电流 (Current rating) : 3A
 接触电阻 (Contact resistance) : $\leq 0.01\Omega$
 绝缘电阻 (Insulation resistance) : $\geq 1000M\Omega$
 耐电压 (Withstand voltage) : 1000V AC/minute
 认证 (STANDARDS) :  E200881

端子Contact (TJC3插簧)
阴连接器 HOUSING

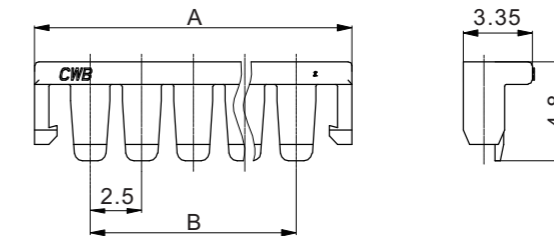


线数 Poles	型号 Type	尺寸Dimensions (mm)			
		A	B	C	C
3	TJC25030-3Y	10.4	6.1	8.2	5.0
5	TJC25030-5Y	15.5	10.8	13.2	10.0
材质 · 表面处理 Material and Finish		PA66 UL94V-0 · White			

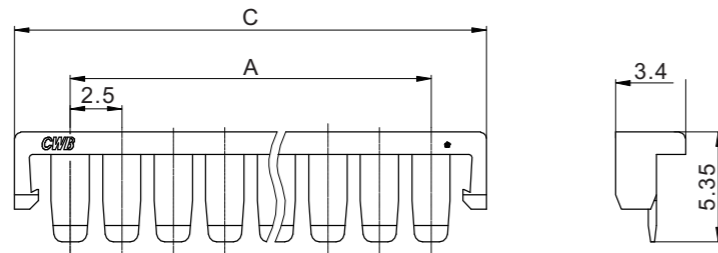


线数 Poles	型号 Type	尺寸Dimensions (mm)			
		A	B	C	D
4	TJC25030-4Y	13.0	8.5	10.7	7.5
6	TJC25030-6Y	18.0	13.5	15.7	12.5
7	TJC25030-7Y	20.5	16.0	18.2	15.0
8	TJC25030-8Y	23.5	18.5	20.7	17.5
9	TJC25030-9Y	25.5	21.0	23.2	20.0
材质 · 表面处理 Material and Finish		PA66 UL94V-0 · White			

锁紧片 Lock plate



线数 Poles	型号 Type	尺寸Dimensions (mm)	
		A	B
3	TJC25030-3YS	10.4	5.0
5	TJC25030-5YS	15.4	10.0
材质 · 表面处理 Material and Finish		PA66 UL94V-0 · White	




线数 Poles	型号 Type	尺寸Dimensions (mm)			
		A	B	C	D
4	TJC25030-4Y	13.0	8.5	10.7	7.5
6	TJC25030-6Y	18.0	13.5	15.7	12.5
7	TJC25030-7Y	20.5	16.0	18.2	15.0
8	TJC25030-8Y	23.5	18.5	20.7	17.5
9	TJC25030-9Y	25.5	21.0	23.2	20.0
材质·表面处理 Material and Finish		PA66 UL94V-0 · White			

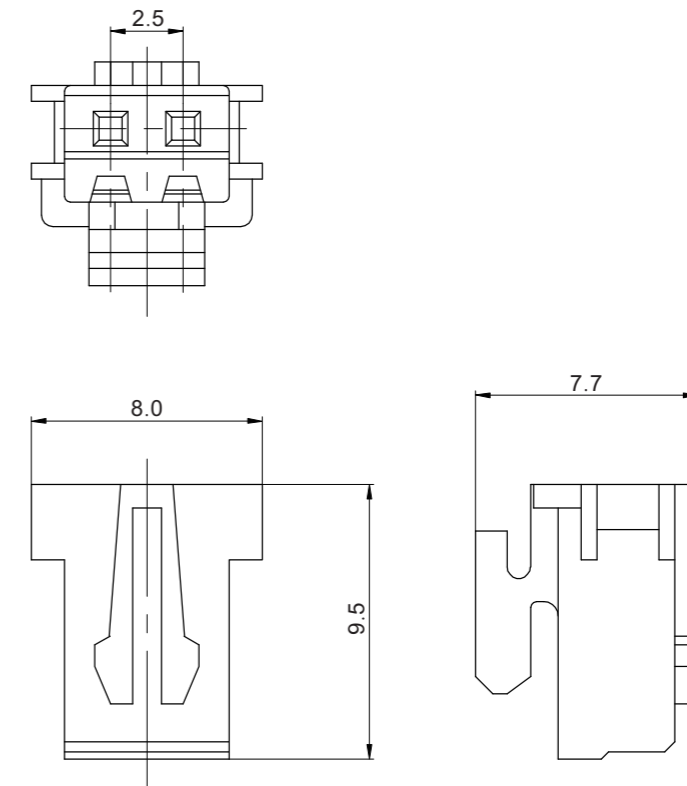


技术参数 (SPECIFICATIONS)

温度范围 (Temperature range) : -25°C~+85°C
 额定电压 (Voltage rating) : 250V AC/DC
 额定电流 (Current rating) : 3A
 接触电阻 (Contact resistance) : $\leq 0.01 \Omega$
 绝缘电阻 (Insulation resistance) : $\geq 1000 M\Omega$
 耐电压 (Withstand voltage) : 1000V AC/minute

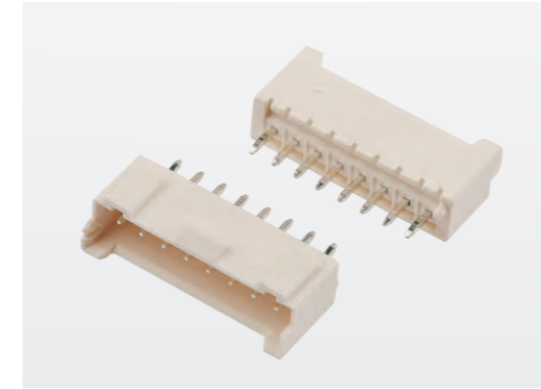
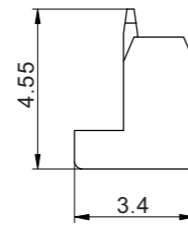
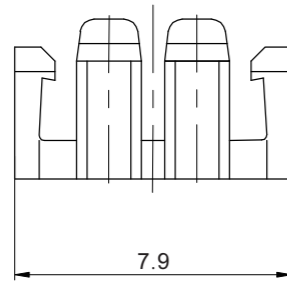
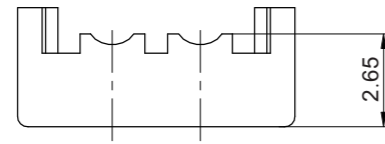
认证 (STANDARDS) :  E200881

端子Contact (TJC3插簧)
阴连接器 Housing



线数Poles	型号 Type
2	TJC25038-2Y
材质·表面处理 Material and Finish PA66 UL94V-0 · White	

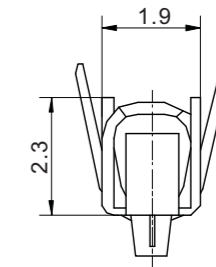
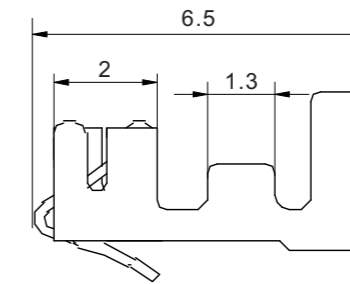
锁紧片 Lock plate



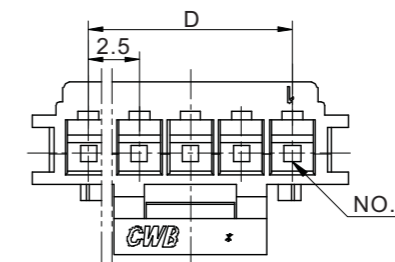
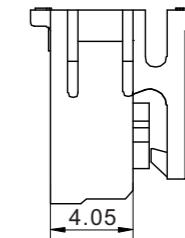
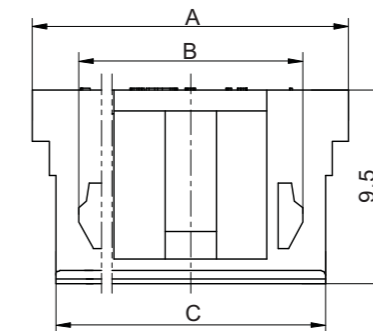
技术参数 (SPECIFICATIONS)

- 适用线规 (Applicable wires) : AWG28#~22#
- 适应基板厚度 (Applicable PC board thickness) : 1.6 mm
- 温度范围 (Temperature range) : -25°C~105°C
- 额定电压 (Voltage rating) : 250V AC/DC
- 额定电流 (Current rating) : 3A
- 接触电阻 (Contact resistance) : $\leq 0.01 \Omega$
- 绝缘电阻 (Insulation resistance) : $\geq 1000M\Omega$
- 耐电压 (Withstand voltage) : 1000V AC/minute

端子 TERMINAL

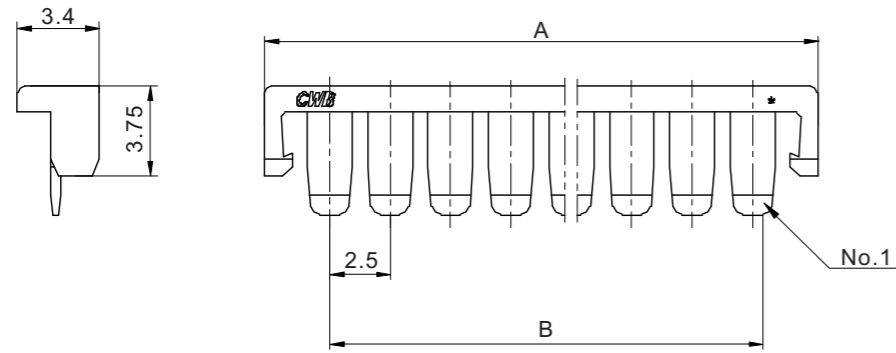


型号 Type	适用导线范围 Wire Range		导线外径 Wire ins.Dis
	mm ²	AWG#	
TJC3	0.08 ~ 0.326	28 ~ 22	1.15 ~ 1.8
材质·表面处理 Material and Finish			
磷青铜 Phos·bronze Tin·Plated			



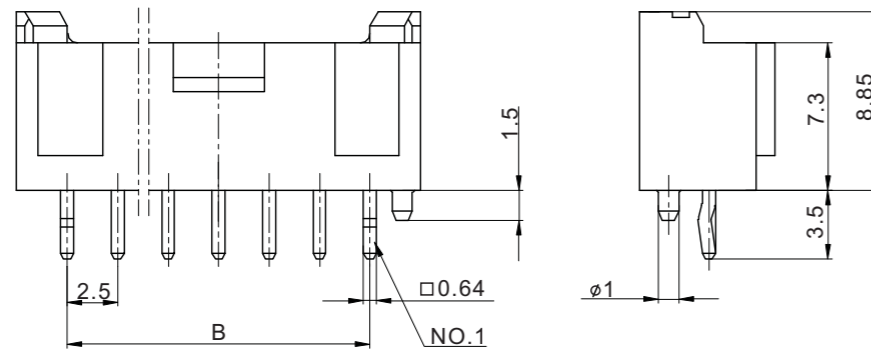
线数 Poles	型号 Type	尺寸Dimensions (mm)	
		A	B
6	TJC25030-6Y	17.9	12.5
7	TJC25030-7Y	20.4	15.0
8	TJC25030-8Y	22.9	17.5
材质·表面处理 Material and Finish		PA66 UL94V-0·White	

锁紧片 Lock plate



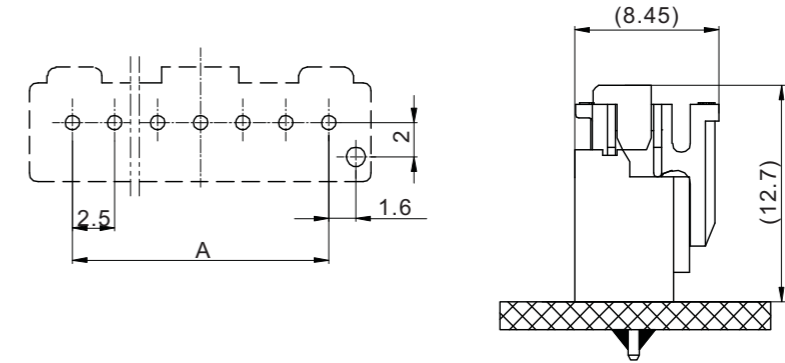
线数 Poles	型号 Type	尺寸Dimensions (mm)	
		A	B
6	TJC25030-6YS	17.9	12.5
7	TJC25030-7YS	20.4	15.0
8	TJC25030-8YS	22.9	17.5
材质·表面处理 Material and Finish		PA66 UL94V-0·White	

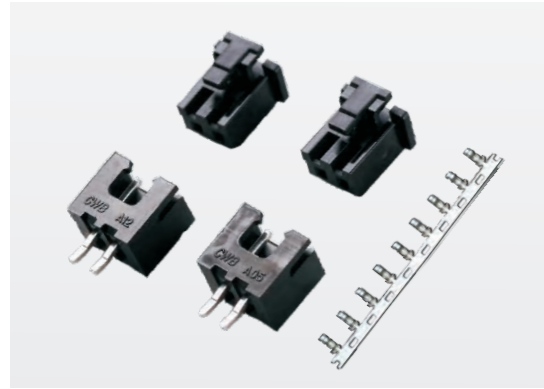
阳连接器 (直式) WAFER (180°)



线数 Poles	型号 Type	尺寸Dimensions (mm)	
		A	B
6	TJC25048-6A	17.5	12.5
7	TJC25048-7A	20	15
8	TJC25048-8A	22.5	17.5
材质·表面处理 Material and Finish		PA66 UL94V-0·White	

TJC25048-6A~8A 安装尺寸 MOUNTING MEASUREMENT

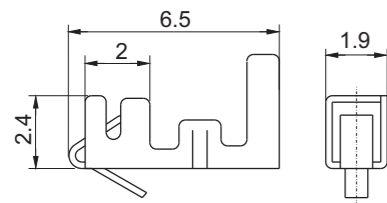




技术参数 (SPECIFICATIONS)

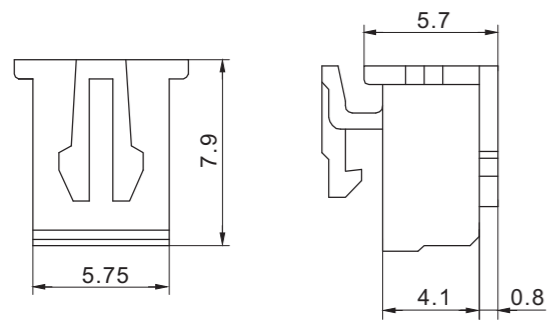
适用线规 (Applicable wires) : AWG28#~22#
 适应基板厚度 (Applicable PC board thickness) : 1.2~1.6mm
 温度范围 (Temprature range) : -25°C~85°C
 额定电压 (Voltage rating) : 250V AC/DC
 额定电流 (Current rating) : 3A
 接触电阻 (Contact resistance) : ≤0.01Ω
 绝缘电阻 (Insulation resistance) : ≥1000MΩ
 耐压 (Withstand voltage) : 1000V AC/minute

端子 TERMINAL

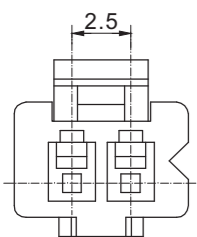


型号 Type	适用导线范围 Wire Range		导线外径 Wire ins.Dis
	mm ²	AWG#	
TJC3	0.08 ~ 0.33	28 ~ 22	1.2 ~ 1.9
材质 · 表面处理 Material and Finish			
磷青铜 Phos · bronze Tin · Plated			

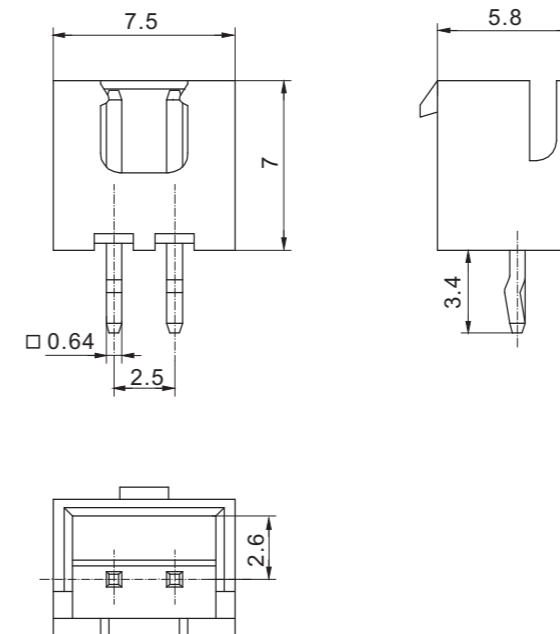
阴连接器 HOUSING



线数Poles	型号Type
2	TJC3-2Y-S
材质 · 表面处理 Material and finish	
PA66 UL94V-0 · BLACK	

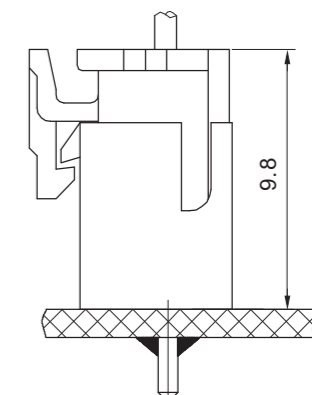
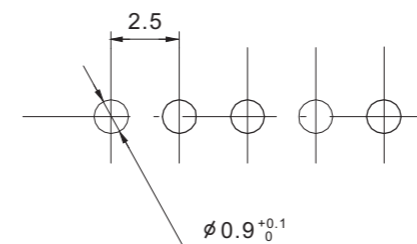


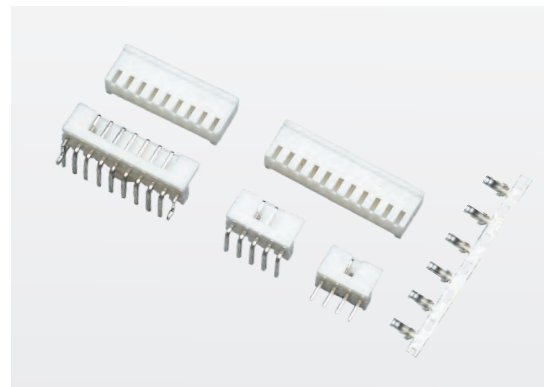
阳连接器 (直式) WAFER (180 °)



线数Poles	型号Type
2	TJC3-2A-S
材质 · 表面处理 Material and finish	
PA66 UL94V-0 · Black; 黄铜 镀锡 Brass Tin · Plated	

安装尺寸 MOUNTING MEASUREMENT



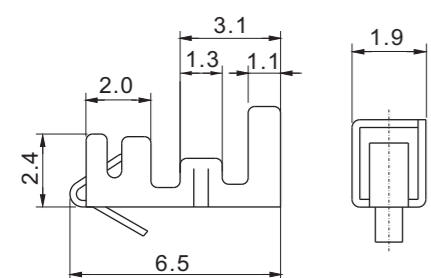


技术参数 (SPECIFICATIONS)

适用线规 (Applicable wires) : AWG28#~22#
 适应基板厚度 (Applicable PC board thickness) : 1.6mm
 温度范围 (Temprature range) : -25°C~85°C
 额定电压 (Voltage rating) : 250V AC/DC
 额定电流 (Current rating) : 3A
 接触电阻 (Contact resistance) : ≤0.01Ω
 绝缘电阻 (Insulation resistance) : ≥1000MΩ
 耐压 (Withstand voltage) : 1000V AC/minute

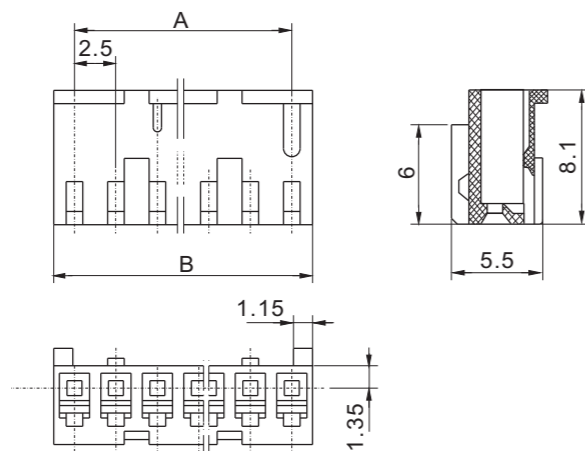
认证 (STANDARDS) : E200881

端子 TERMINAL



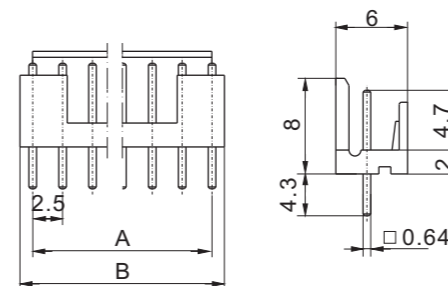
型号 Type	适用导线范围 Wire Range		导线外径 Wire ins.Dis
	mm ²	AWG#	
TJC3	0.08 ~ 0.33	28 ~ 22	1.2 ~ 1.9
材质·表面处理 Material and Finish			
磷青铜 Phos·bronze Tin·Plated			

阴连接器 HOUSING

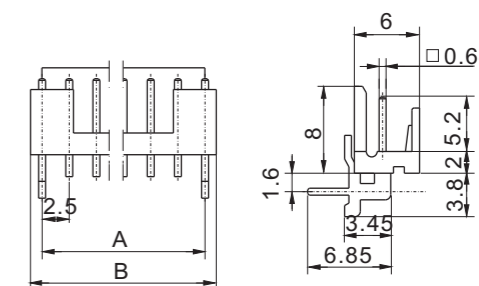


线数 Poles	型号 Type	尺寸 Dimensions(mm)		线数 Poles	型号 Type	尺寸 Dimensions(mm)	
		A	B			A	B
2	TJC9-2Y	2.5	5.0	9	TJC9-9Y	20.0	22.5
3	TJC9-3Y	5.0	7.5	10	TJC9-10Y	22.5	25.0
4	TJC9-4Y	7.5	10.0	11	TJC9-11Y	25.0	27.5
5	TJC9-5Y	10.0	12.5	12	TJC9-12Y	27.5	30.0
6	TJC9-6Y	12.5	15.0	13	TJC9-13Y	30.0	32.5
7	TJC9-7Y	15.0	17.5	14	TJC9-14Y	32.5	35.0
8	TJC9-8Y	17.5	20.0	15	TJC9-15Y	35.0	37.5
材质·表面处理 Material and Finish				PA66 UL94V-0 · White			

阳连接器 (直式) WAFER (180°)

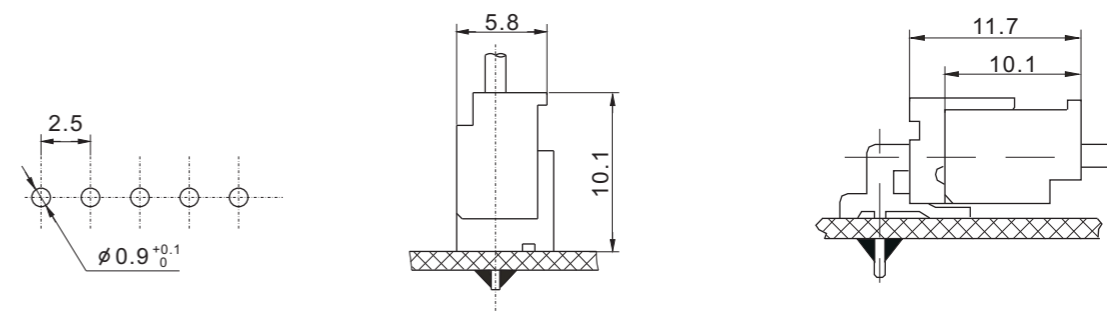


阳连接器 (弯式) WAFER (90°)



线数 Poles	型号 Type		尺寸 Dimensions(mm)	
	直式 (180°)	弯式 (90°)	A	B
2	TJC9-2A	TJC9-2AW	2.5	5.0
3	TJC9-3A	TJC9-3AW	5.0	7.5
4	TJC9-4A	TJC9-4AW	7.5	10.0
5	TJC9-5A	TJC9-5AW	10.0	12.5
6	TJC9-6A	TJC9-6AW	12.5	15.0
7	TJC9-7A	TJC9-7AW	15.0	17.5
8	TJC9-8A	TJC9-8AW	17.5	20.0
9	TJC9-9A	TJC9-9AW	20.0	22.5
10	TJC9-10A	TJC9-10AW	22.5	25.0
11	TJC9-11A	TJC9-11AW	25.0	27.5
12	TJC9-12A	TJC9-12AW	27.5	30.0
13	TJC9-13A	TJC9-13AW	30.0	32.5
14	TJC9-14A	TJC9-14AW	32.5	35.0
15	TJC9-15A	TJC9-15AW	35.0	37.5
材质·表面处理 Material and Finish		PA66 UL94V-0 · White ; 黄铜 镀锡 Brass Tin · Plated		

安装尺寸 MOUNTING MEASUREMENT



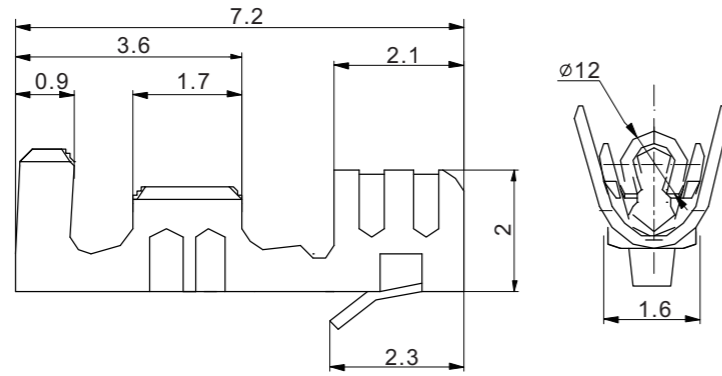


技术参数 (SPECIFICATIONS)

适用线规 (Applicable wires) : AWG28#~22#
 适应基板厚度 (Applicable PC board thickness) : 1.6 mm
 温度范围 (Temperature range) : -40°C~+105°C
 额定电压 (Voltage rating) : 250V AC/DC
 额定电流 (Current rating) : 3A
 接触电阻 (Contact resistance) : $\leq 0.01\Omega$
 绝缘电阻 (Insulation resistance) : $\geq 1000M\Omega$
 耐电压 (Withstand voltage) : 1500V AC/minute

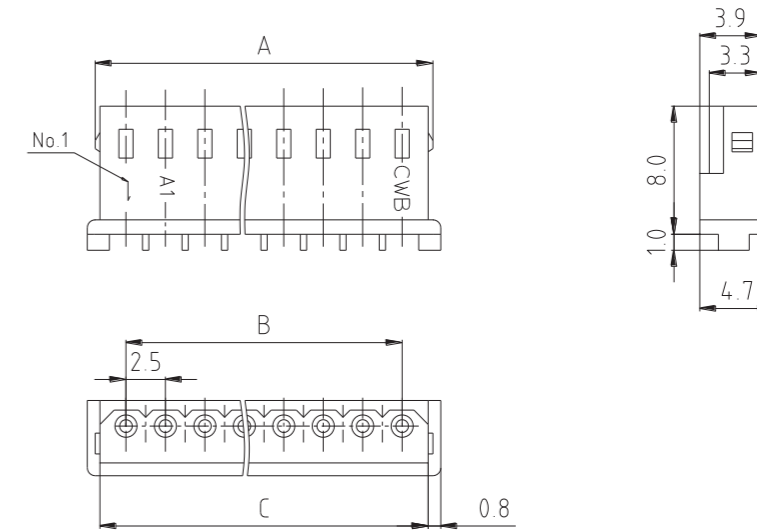
认证 (STANDARDS) :  E200881

端子 TERMINAL



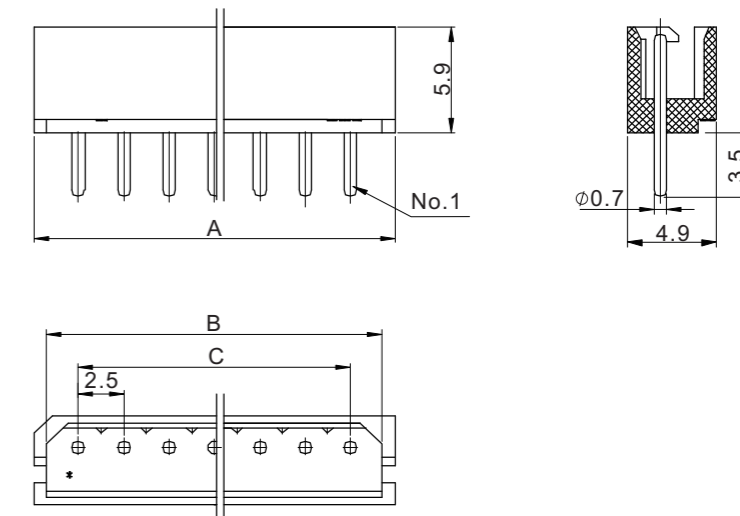
型号 Type	适用导线范围 Wire Range		导线外径 Wire ins.Dis
	mm ²	AWG#	
TJC14	0.08097 ~ 0.3256	28 ~ 22	1.2 ~ 1.6
材质 · 表面处理 Material and Finish			
磷青铜 Phos · bronze Tin · Plated			

阴连接器 HOUSING

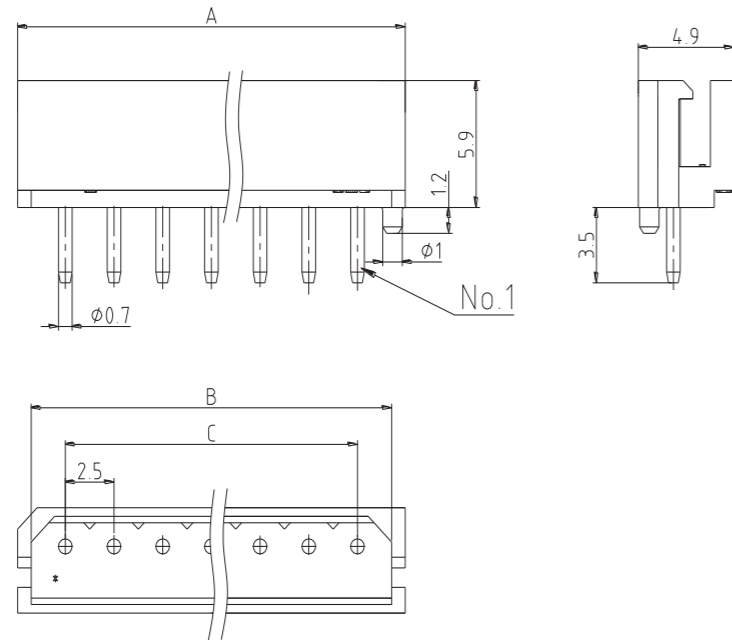


线数 Poles	型号 Type	尺寸 Dimensions (mm)			线数 Poles	型号 Type	尺寸 Dimensions (mm)		
		A	B	C			A	B	C
2	TJC14-2Y	6.4	2.5	5.8	9	TJC14-9Y	23.9	20.0	23.3
3	TJC14-3Y	8.9	5.0	8.3	10	TJC14-10Y	26.4	22.5	25.8
4	TJC14-4Y	11.4	7.5	10.8	11	TJC14-11Y	28.9	25.0	28.3
5	TJC14-5Y	13.9	10.0	13.3	12	TJC14-12Y	31.4	27.5	30.8
6	TJC14-6Y	16.4	12.5	15.8	13	TJC14-13Y	33.9	30.0	33.3
7	TJC14-7Y	18.9	15.0	18.3	14	TJC14-14Y	36.4	32.5	35.8
8	TJC14-8Y	21.4	17.5	20.8	15	TJC14-15Y	38.9	35.0	38.3
材质 · 表面处理 Material and Finish				PA66 UL94V_0 · White					

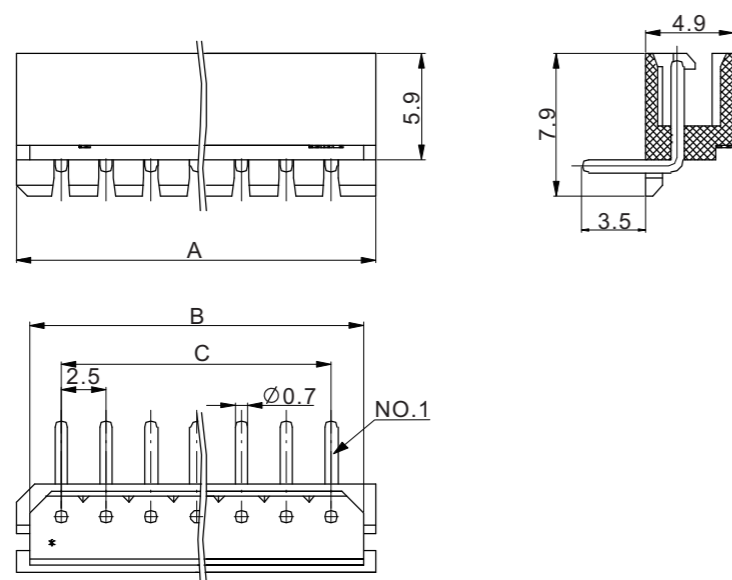
阳连接器 (直式) WAFER (180°)



阳连接器 (直式定位) WAFER (180°)



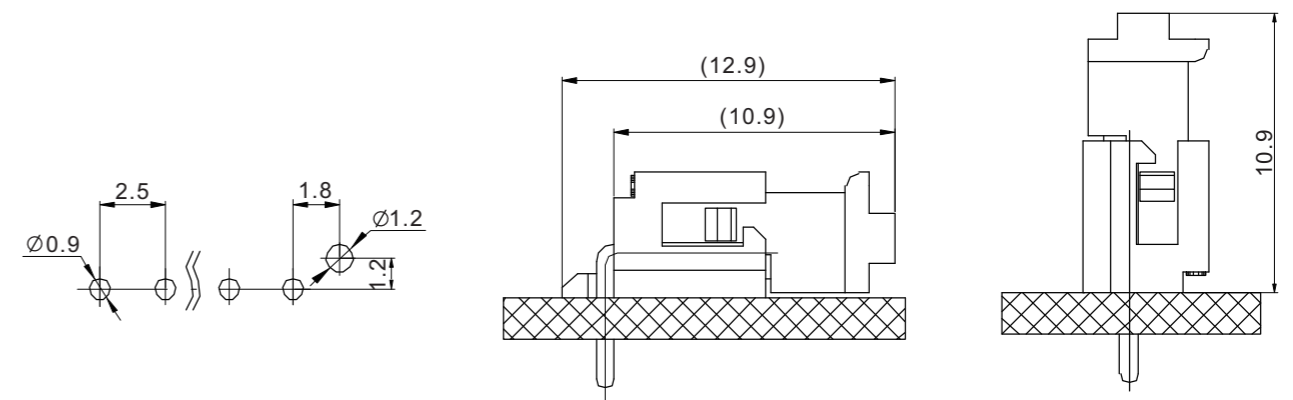
阳连接器 (弯式) WAFER (90°)



线数 Poles	型号 Type			尺寸 Dimensions (mm)			线数 Poles	型号 Type			尺寸 Dimensions (mm)		
	直式 (180°)	弯式 (90°)	弯式定位 (90°)	A	B	C		直式 (180°)	弯式 (90°)	弯式定位 (90°)	A	B	C
2	TJC14-2A	TJC14-2AW	TJC14-2AD	7.5	6.0	2.5	9	TJC14-9A	TJC14-9AW	TJC14-9AD	25.0	23.5	20.0
3	TJC14-3A	TJC14-3AW	TJC14-3AD	10.0	8.5	5.0	10	TJC14-10A	TJC14-10AW	TJC14-10AD	27.5	26.0	22.5
4	TJC14-4A	TJC14-4AW	TJC14-4AD	12.5	11.0	7.5	11	TJC14-11A	TJC14-11AW	TJC14-11AD	30.0	28.5	25.0
5	TJC14-5A	TJC14-5AW	TJC14-5AD	15.0	13.5	10.0	12	TJC14-12A	TJC14-12AW	TJC14-12AD	32.5	31.0	27.5
6	TJC14-6A	TJC14-6AW	TJC14-6AD	17.5	16.0	12.5	13	TJC14-13A	TJC14-13AW	TJC14-13AD	35.0	33.4	30.0
7	TJC14-7A	TJC14-7AW	TJC14-7AD	20.0	18.5	15.0	14	TJC14-14A	TJC14-14AW	TJC14-14AD	37.5	36.0	32.5
8	TJC14-8A	TJC14-8AW	TJC14-8AD	22.5	21.0	17.5	15	TJC14-15A	TJC14-15AW	TJC14-15AD	40.0	38.5	35.0

材质·表面处理 Material and Finish PA66 UL94V_0 · White; Brass Tin · Plated

安装尺寸 MOUNTING MEASUREMENT



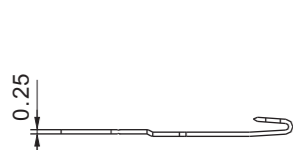


技术参数 (SPECIFICATIONS)

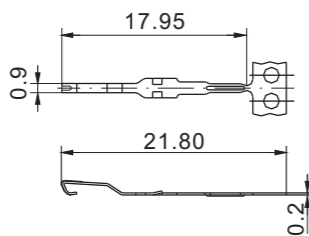
温度范围 (Temperature range):-25 °C ~ 85 °C
 额定电压 (Voltage rating): 250V AC/DC
 额定电流 (Current rating): 1A
 接触电阻 (Contact resistance) : ≤ 0.01 Ω
 绝缘电阻 (Insulation resistance): ≥ 800M Ω
 耐压 (Withstand voltage):500V AC/minute

端子TERMNAL

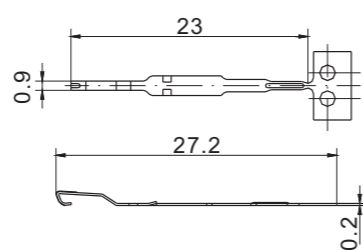
TJC22插针



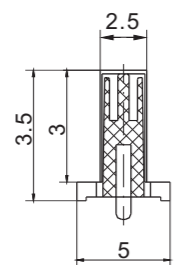
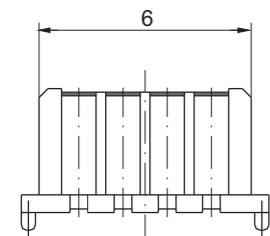
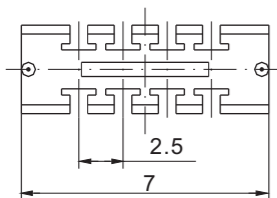
TJC22插簧 (小)



TJC22插簧 (大)

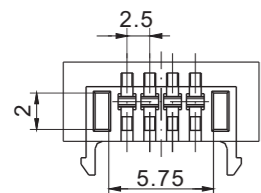
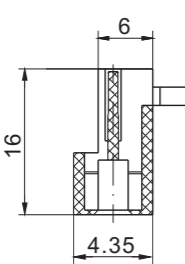
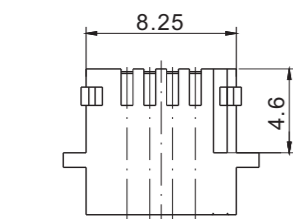


阳连接器 WAFER



线数 Poles	型号 Type
8	TJC22-8A
材质·表面处理 Material and Finish PBT UL94V-0 · Black	

阴连接器 HOUSING



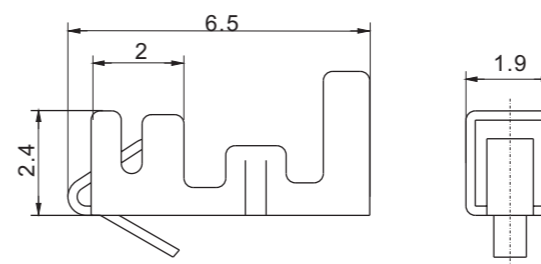
线数 Poles	型号 Type
8	TJC22-8Y
材质·表面处理 Material and Finish PBT UL94V-0 · Black	



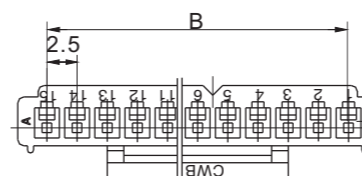
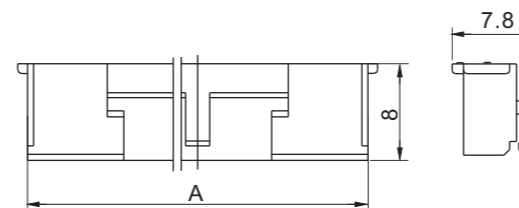
技术参数 (SPECIFICATIONS)

温度范围(Temperature range):-25°C~85°C
 额定电压 (Voltage rating) : 250V AC/DC
 额定电流 (Current rating) : 3A
 接触电阻 (Contact resistance) : ≤0.01Ω
 绝缘电阻 (Insulation resistance) : ≥1000MΩ
 耐压 (Withstand voltage) : 1000V AC/minute

端子 TERMINAL

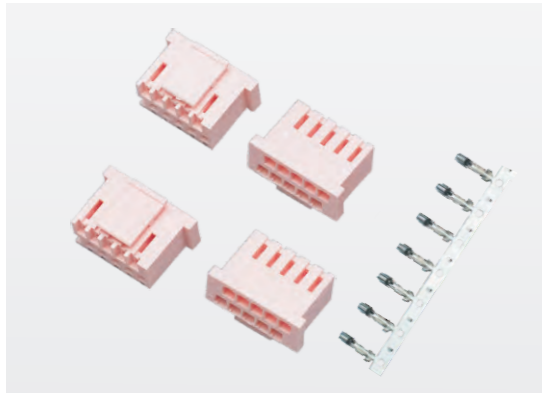


阴连接器 HOUSING



型号 Type	适用导线范围 Wire Range		导线外径 Wire ins.Dis
	mm ²	AWG#	
TJC3	0.08 ~ 0.33	28 ~ 22	1.2~1.9
材质·表面处理 Material and Finish 磷青铜 Phos·bronze Tin·Plated			

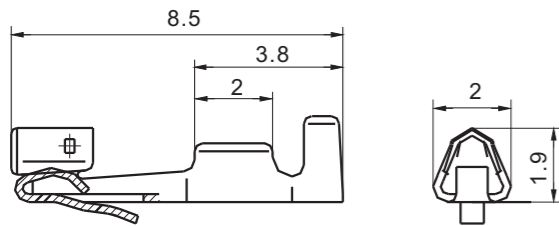
线数 Poles	型号 Type	尺寸 Dimensions(mm)	
		A	B
4	TJC26-4Y	10.7	7.5
5	TJC26-5Y	13.2	10.0
6	TJC26-6Y	15.7	12.5
7	TJC26-7Y	18.2	15.0
8	TJC26-8Y	20.7	17.5
9	TJC26-9Y	23.2	20.0
10	TJC26-10Y	25.7	22.5
11	TJC26-11Y	28.2	25.0
12	TJC26-12Y	30.7	27.5
13	TJC26-13Y	33.2	30.0
14	TJC26-14Y	35.7	32.5
15	TJC26-15Y	38.2	35.0
材质·表面处理 Material and finish PA66 UL94V-2 · White			



技术参数 (SPECIFICATIONS)

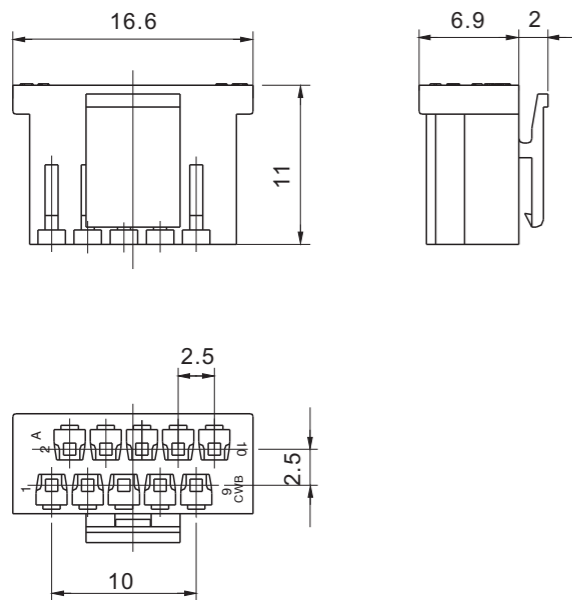
温度范围 (Temperature range) : -25°C~85°C
 额定电压 (Voltage rating) : 250V AC/DC
 额定电流 (Current rating) : 3A

端子 TERMINAL

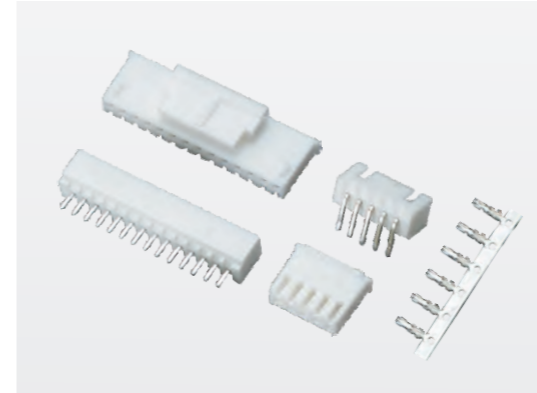


型号 Type	适用导线范围 Wire Range		导线外径 Wire ins.Dis
	mm ²	AWG#	
TJC31	0.08 ~ 0.33	28 ~ 22	1.2~1.9
材质 · 表面处理 Material and Finish			
磷青铜 Phos · bronze Tin · Plated			

阴连接器 HOUSING



线数 Poles	型号 Type
8	TJC31-2*5Y
材质 · 表面处理 Material and Finish	
PA66 UL94V-0 · Light Red	

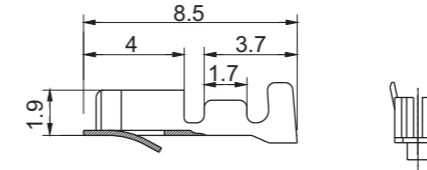


技术参数 (SPECIFICATIONS)

适用线规 (Applicable wires) : AWG28#~22#
 适应基板厚度 (Applicable PC board thickness) : 1.2~1.6mm
 温度范围 (Temperature range) : -25°C~85°C
 额定电压 (Voltage rating) : 250V AC/DC
 额定电流 (Current rating) : 3A
 接触电阻 (Contact resistance) : ≤0.01Ω
 绝缘电阻 (Insulation resistance) : ≥1000MΩ
 耐压 (Withstand voltage) : 1000V AC/minute

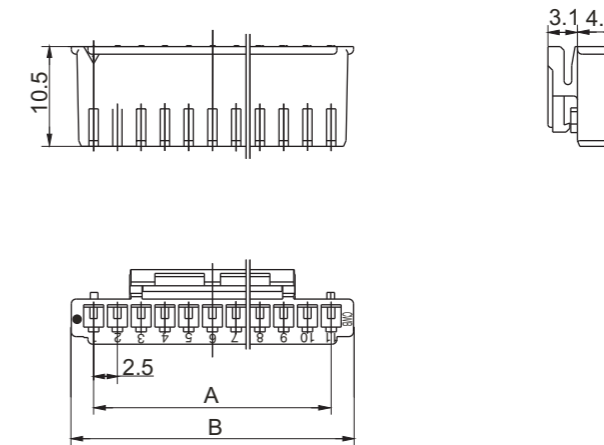
认证 (STANDARDS) : E200881

端子 TERMINAL



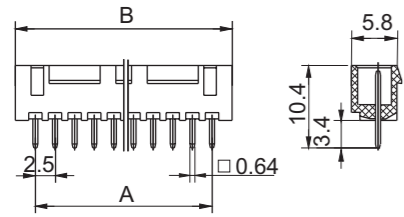
型号 Type	适用导线范围 Wire Range		导线外径 Wire ins.Dis
	mm ²	AWG#	
TJC2508	0.08 ~ 0.33	28 ~ 22	1.2~1.9
材质 · 表面处理 Material and Finish			
磷青铜 Phos · bronze Tin · Plated			

阴连接器 HOUSING

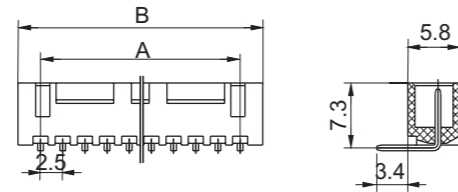


线数 Poles	型号 Type	尺寸Dimensions(mm)		线数 Poles	型号 Type	尺寸Dimensions(mm)	
		A	B			A	B
2	TJC2508-2Y	2.5	7.3	9	TJC2508-9Y	20.0	24.8
3	TJC2508-3Y	5.0	9.8	10	TJC2508-10Y	22.5	27.3
4	TJC2508-4Y	7.5	12.3	11	TJC2508-11Y	25.0	29.8
5	TJC2508-5Y	10.0	14.8	12	TJC2508-12Y	27.5	32.3
6	TJC2508-6Y	12.5	17.3	13	TJC2508-13Y	30.0	34.8
7	TJC2508-7Y	15.0	20.8	14	TJC2508-14Y	32.5	37.3
8	TJC2508-8Y	17.5	22.3	15	TJC2508-15Y	35.0	39.8
材质 · 表面处理 Material and Finish						PA66 UL94V-0 · White	

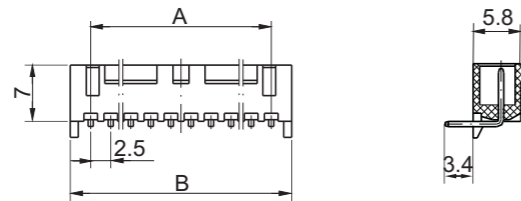
阳连接器 (直式) WAFER (180°)



阳连接器 (弯式) WAFER (90°)

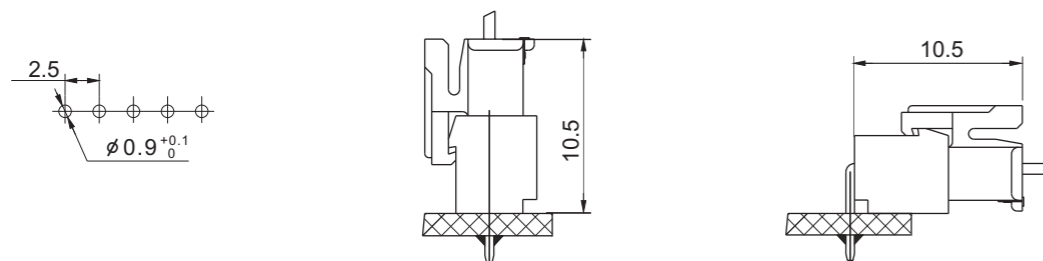


阳连接器 (弯式定位) WAFER (90°)



线数 Poles	型号 Type			尺寸Dimensions(mm)	
	直式 (180°)	弯式 (90°)	弯式定位 (90°)	A	B
2	TJC2508-2A	TJC2508-2AW	TJC2508-2AWJ	2.5	7.5
3	TJC2508-3A	TJC2508-3AW	TJC2508-3AWJ	5.0	10.0
4	TJC2508-4A	TJC2508-4AW	TJC2508-4AWJ	7.5	12.5
5	TJC2508-5A	TJC2508-5AW	TJC2508-5AWJ	10.0	15.0
6	TJC2508-6A	TJC2508-6AW	TJC2508-6AWJ	12.5	17.5
7	TJC2508-7A	TJC2508-7AW	TJC2508-7AWJ	15.0	20.0
8	TJC2508-8A	TJC2508-8AW	TJC2508-8AWJ	17.5	22.5
9	TJC2508-9A	TJC2508-9AW	TJC2508-9AWJ	20.0	25.0
10	TJC2508-10A	TJC2508-10AW	TJC2508-10AWJ	22.5	27.5
11	TJC2508-11A	TJC2508-11AW	TJC2508-11AWJ	25.0	30.0
12	TJC2508-12A	TJC2508-12AW	TJC2508-12AWJ	27.5	32.5
13	TJC2508-13A	TJC2508-13AW	TJC2508-13AWJ	30.0	35.0
14	TJC2508-14A	TJC2508-14AW	TJC2508-14AWJ	32.5	37.5
15	TJC2508-15A	TJC2508-15AW	TJC2508-15AWJ	35.0	40.0
材质·表面处理 Material and Finish					
PA66 UL94V-0 · White; 黄铜 镀锡 Brass Tin · Plated					

安装尺寸 MOUNTING MEASUREMENT

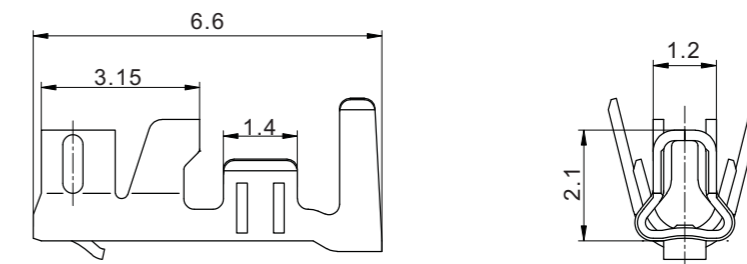


技术参数 (SPECIFICATIONS)

适用线规 (Applicable wires) : AWG30#~24#
 适应基板厚度 (Applicable PC board thickness) : 1.2~1.6 mm
 温度范围 (Temperature range) : -25°C~+85°C
 额定电压 (Voltage rating) : 250V AC/DC
 额定电流 (Current rating) : 3A
 接触电阻 (Contact resistance) : ≤0.01Ω
 绝缘电阻 (Insulation resistance) : ≥1000MΩ
 耐压 (Withstand voltage) : 1000V AC/minute

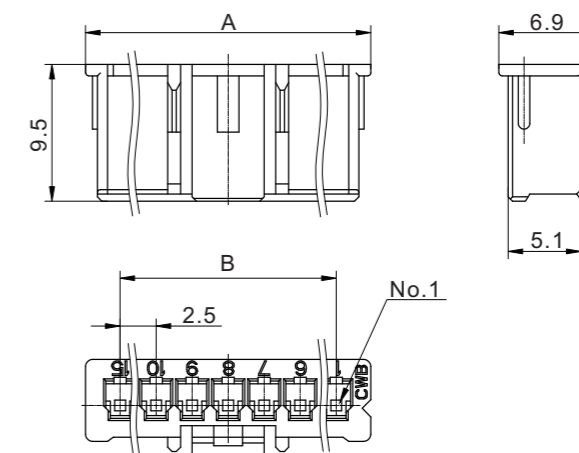
认证 (STANDARDS) : E200881

端子 Contact

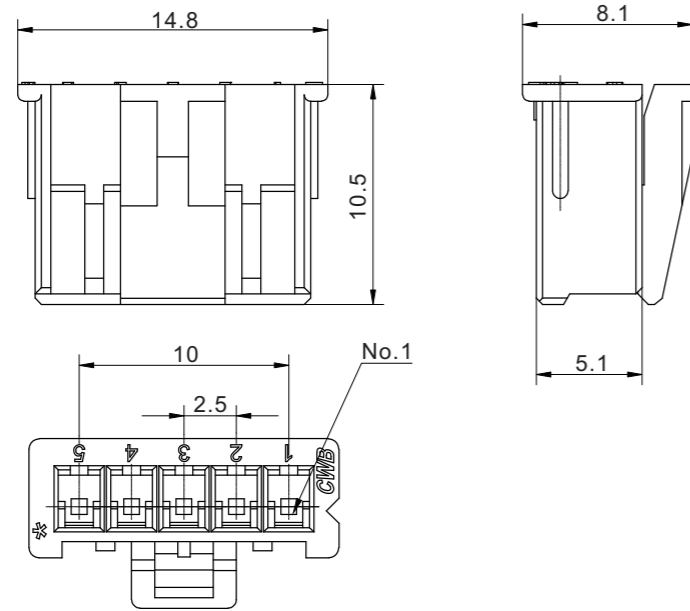


型号 Type	适用导线范围 Wire Range		导线外径 Wire ins.Dis
	mm ²	AWG#	
TJC2509	0.08 ~ 0.32	22 ~ 28	1.2 ~ 1.6
材质·表面处理 Material and Finish			
磷青铜 Phos·bronze Tin·Plating			

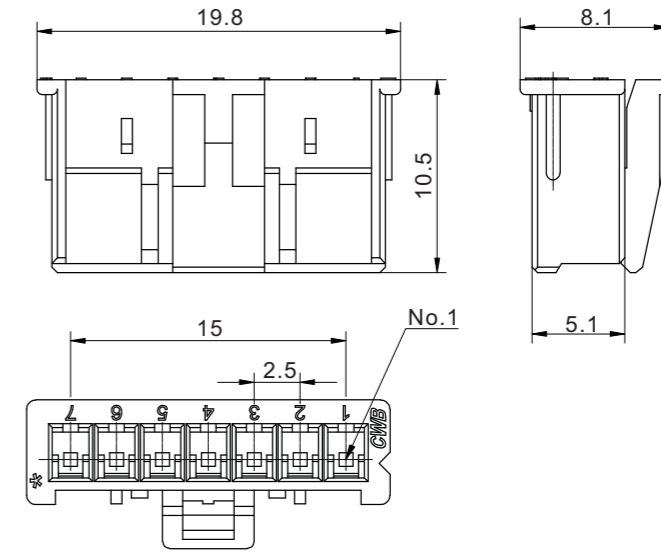
阴连接器 HOUSING



线数 Poles	型号 Type	尺寸 Dimensions (mm)		线数 Poles	型号 Type	尺寸 Dimensions (mm)	
		A	B			A	B
2	TJC2509-2Y	7.3	2.5	9	TJC2509-9Y	24.8	20.0
3	TJC2509-3Y	9.8	5.0	10	TJC2509-10Y	27.3	22.5
4	TJC2509-4Y	12.3	7.5	11	TJC2509-11Y	29.8	25.0
5	TJC2509-5Y	14.8	10.0	12	TJC2509-12Y	32.3	27.5
6	TJC2509-6Y	17.3	12.5	13	TJC2509-13Y	34.8	30.0
7	TJC2509-7Y	19.8	15.0	14	TJC2509-14Y	37.3	32.5
8	TJC2509-8Y	22.3	17.5	15	TJC2509-15Y	39.8	35.0
材质 · 表面处理 Material and Finish				PA66 UL94V-0			

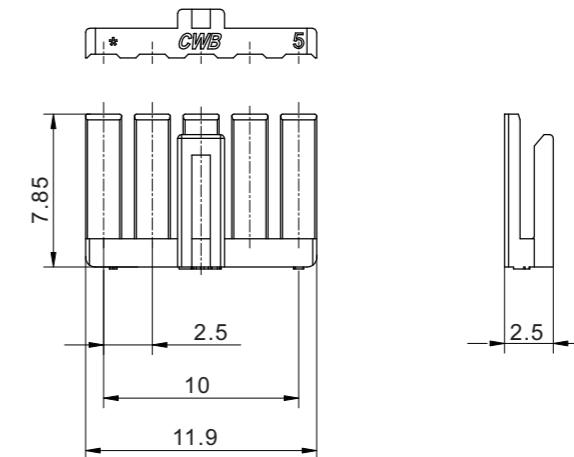


线数 Poles	型号 Type
5	TJC2509B-5Y
材质 · 表面处理 Material and Finish PA66 UL94V-0	

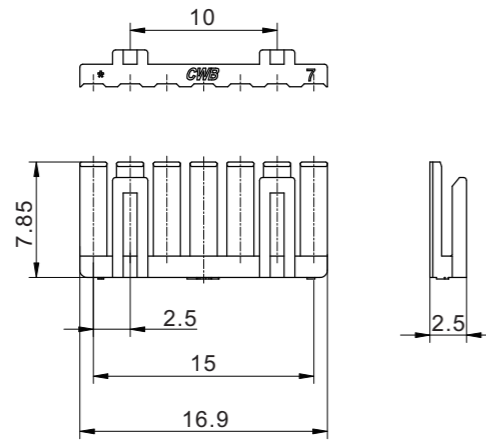


线数 Poles	型号 Type
7	TJC2509B-7Y
材质 · 表面处理 Material and Finish PA66 UL94V-0	

锁紧片 Lock plate

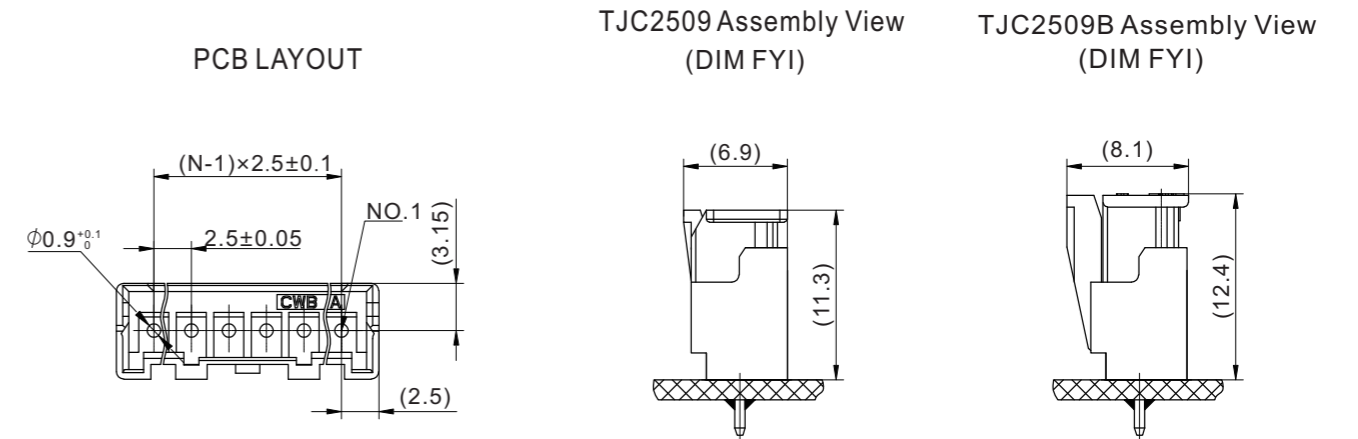


线数 Poles	型号 Type
5	TJC2509B-5YS
材质 · 表面处理 Material and Finish PA66 UL94V-0	

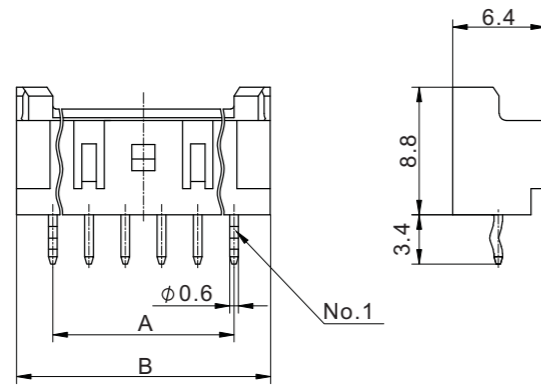


线数 Poles	型号 Type
7	TJC2509B-7YS
材质 · 表面处理 Material and Finish PA66 UL94V-0	

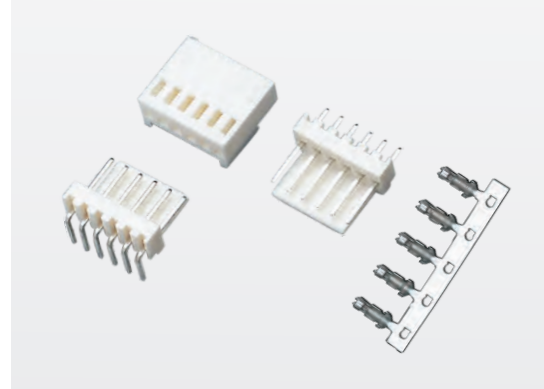
安装尺寸 MOUNTING MEASUREMENT



阳连接器 Header (180°)



线数 Poles	型号 Type	尺寸 Dimensions (mm)		线数 Poles	型号 Type	尺寸 Dimensions (mm)	
		A	B			A	B
2	TJC2509-2A	7.5	2.5	9	TJC2509-9A	25.0	20.0
3	TJC2509-3A	10.0	5.0	10	TJC2509-10A	27.5	22.5
4	TJC2509-4A	12.5	7.5	11	TJC2509-11A	30.0	25.0
5	TJC2509-5A	15.0	10.0	12	TJC2509-12A	32.5	27.5
6	TJC2509-6A	17.5	12.5	13	TJC2509-13A	35.0	30.0
7	TJC2509-7A	20.0	15.0	14	TJC2509-14A	37.5	32.5
8	TJC2509-8A	22.5	17.5	15	TJC2509-15A	40.0	35.0
材质 · 表面处理 Material and Finish PA66 UL94V-0		黄铜 镀锡 Brass Tin · Plating					

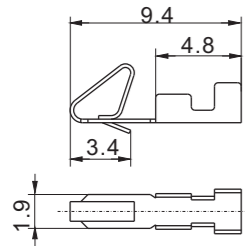


技术参数 (SPECIFICATIONS)

适用线规 (Applicable wires) : AWG28#~22#
 适应基板厚度 (Applicable PC board thickness) : 1.6mm
 温度范围 (Temprature range) : -25℃~85℃
 额定电压 (Voltage rating) : 250V AC/DC
 额定电流 (Current rating) : 3A
 接触电阻 (Contact resistance) : ≤0.01Ω
 绝缘电阻 (Insulation resistance) : ≥1000MΩ
 耐压 (Withstand voltage) : 1000V AC/minute

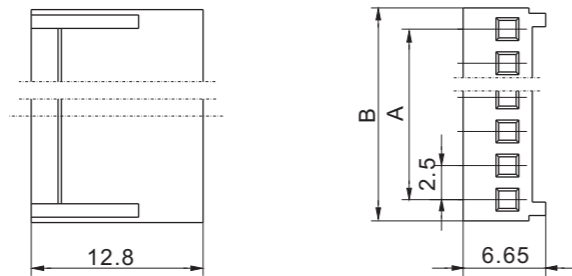
认证 (STANDARDS) : E200881

端子 TERMINAL



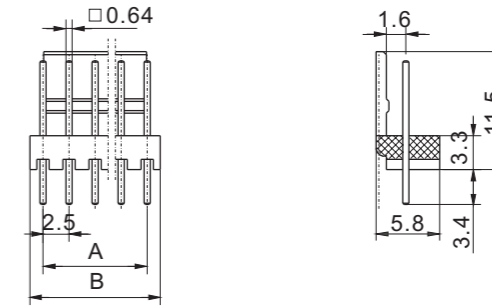
型号 Type	适用导线范围 Wire Range		导线外径 Wire ins.Dis
	mm ²	AWG#	
TJC2510	0.08 ~ 0.33	28 ~ 22	1.0~1.7
材质·表面处理 Material and Finish			
磷青铜 Phos·bronze Tin·Plated			

阴连接器 HOUSING

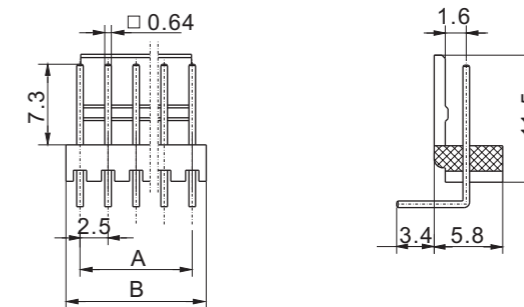


线数 Poles	型号 Type	尺寸Dimensions(mm)		线数 Poles	型号 Type	尺寸Dimensions(mm)	
		A	B			A	B
2	TJC2510-2Y	2.5	5.5	12	TJC2510-12Y	27.5	30.5
3	TJC2510-3Y	5.0	8.0	13	TJC2510-13Y	30.0	33.0
4	TJC2510-4Y	7.5	10.5	14	TJC2510-14Y	32.5	35.5
5	TJC2510-5Y	10.0	13.0	15	TJC2510-15Y	35.0	38.0
6	TJC2510-6Y	12.5	15.5	16	TJC2510-16Y	37.5	40.5
7	TJC2510-7Y	15.0	18.0	17	TJC2510-17Y	40.0	43.0
8	TJC2510-8Y	17.5	20.5	18	TJC2510-18Y	42.5	45.5
9	TJC2510-9Y	20.0	23.5	19	TJC2510-19Y	45.0	48.0
10	TJC2510-10Y	22.5	25.5	20	TJC2510-20Y	47.5	50.0
11	TJC2510-11Y	25.0	28.0				
材质·表面处理 Material and Finish				PA66 UL94V-0 · White			

阳连接器 (直式) WAFER (180°)

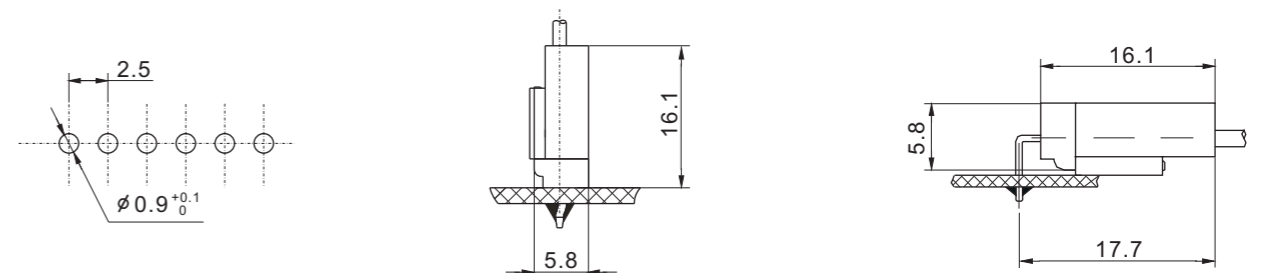


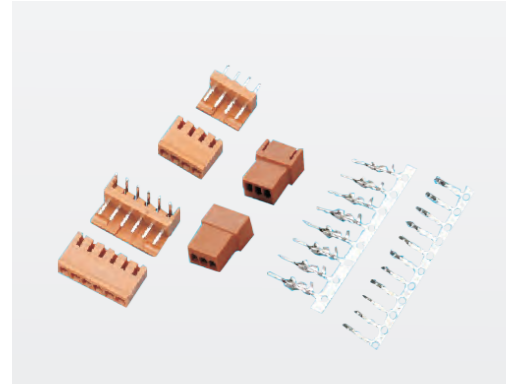
阳连接器 (弯式) WAFER (90°)



线数 Poles	型号 Type		尺寸Dimensions(mm)		线数 Poles	型号 Type		尺寸Dimensions(mm)	
	直式 (180°)	弯式 (90°)	A	B		直式 (180°)	弯式 (90°)	A	B
2	TJC2510-2A	TJC2510-2AW	2.5	5.0	12	TJC2510-12A	TJC2510-12AW	27.5	30.0
3	TJC2510-3A	TJC2510-3AW	5.0	7.5	13	TJC2510-13A	TJC2510-13AW	30.0	32.5
4	TJC2510-4A	TJC2510-4AW	7.5	10.0	14	TJC2510-14A	TJC2510-14AW	32.5	35.0
5	TJC2510-5A	TJC2510-5AW	10.0	12.5	15	TJC2510-15A	TJC2510-15AW	35.0	37.5
6	TJC2510-6A	TJC2510-6AW	12.5	15.0	16	TJC2510-16A	TJC2510-16AW	37.5	40.0
7	TJC2510-7A	TJC2510-7AW	15.0	17.5	17	TJC2510-17A	TJC2510-17AW	40.0	42.5
8	TJC2510-8A	TJC2510-8AW	17.5	20.0	18	TJC2510-18A	TJC2510-18AW	42.5	45.0
9	TJC2510-9A	TJC2510-9AW	20.0	22.5	19	TJC2510-19A	TJC2510-19AW	45.0	47.5
10	TJC2510-10A	TJC2510-10AW	22.5	25.0	20	TJC2510-20A	TJC2510-20AW	47.5	50.0
11	TJC2510-11A	TJC2510-11AW	25.0	27.5					
材质·表面处理 Material and Finish				PA66 UL94V-0 · White; 黄铜 镀锡 Brass Tin · Plated					


安装尺寸 MOUNTING MEASUREMENT



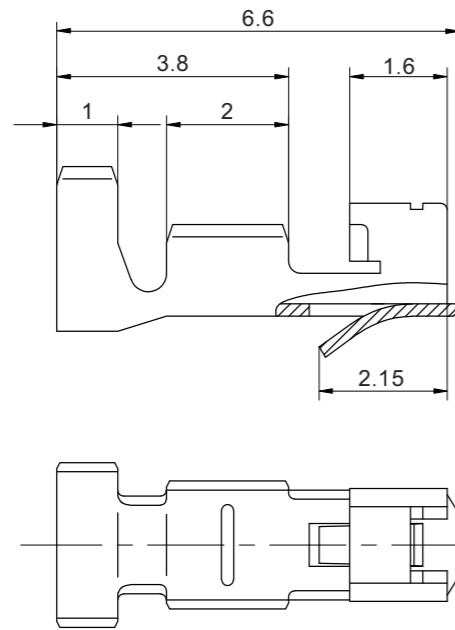


技术参数 (SPECIFICATIONS)

适用线规 (Applicable wires) : AWG28#~22#
 适应基板厚度 (Applicable PC board thickness) : 1.2 ~ 1.6 mm
 温度范围 (Temperature range) : -25°C~85°C
 额定电压 (Voltage rating) : 250V AC/DC
 额定电流 (Current rating) : 3A
 接触电阻 (Contact resistance) : $\leq 0.01\Omega$
 绝缘电阻 (Insulation resistance) : $\geq 1000M\Omega$
 耐压 (Withstand voltage) : 800V AC/minute

认证 (STANDARDS) :  E200881

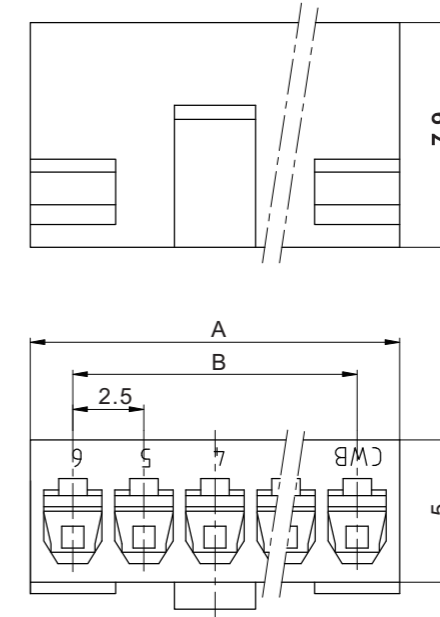
端子 TERMINAL



型号 Type	适用导线范围 Wire Range		导线外径 Wire ins.Dis
	mm ²	AWG#	
TJC2511	0.08 ~ 0.3	28 ~ 22	1.2 ~ 1.6
材质 · 表面处理 Material and Finish			
磷青铜 Phos · bronze Tin · Plated			

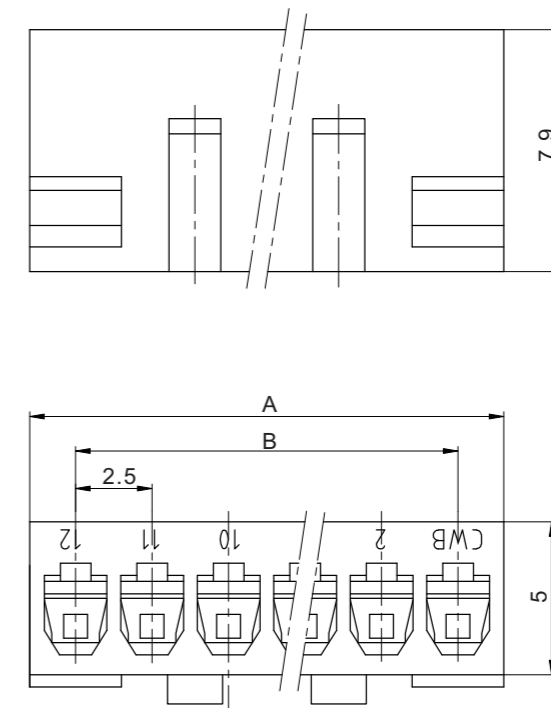
阴连接器 HOUSING

TJC2511-2~6Y

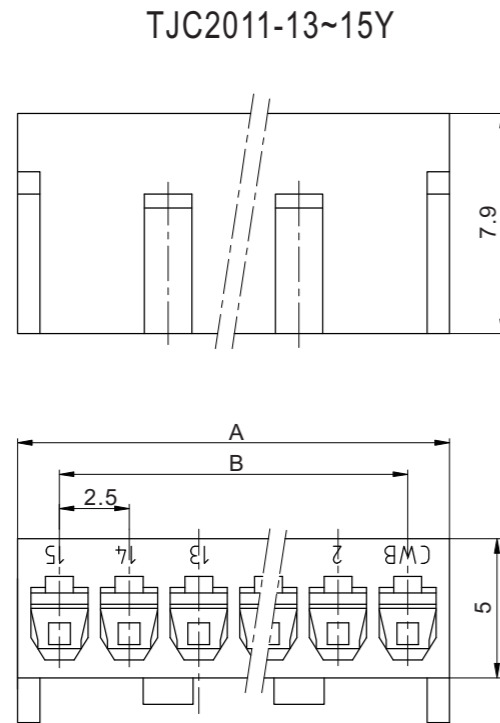


阴连接器 HOUSING

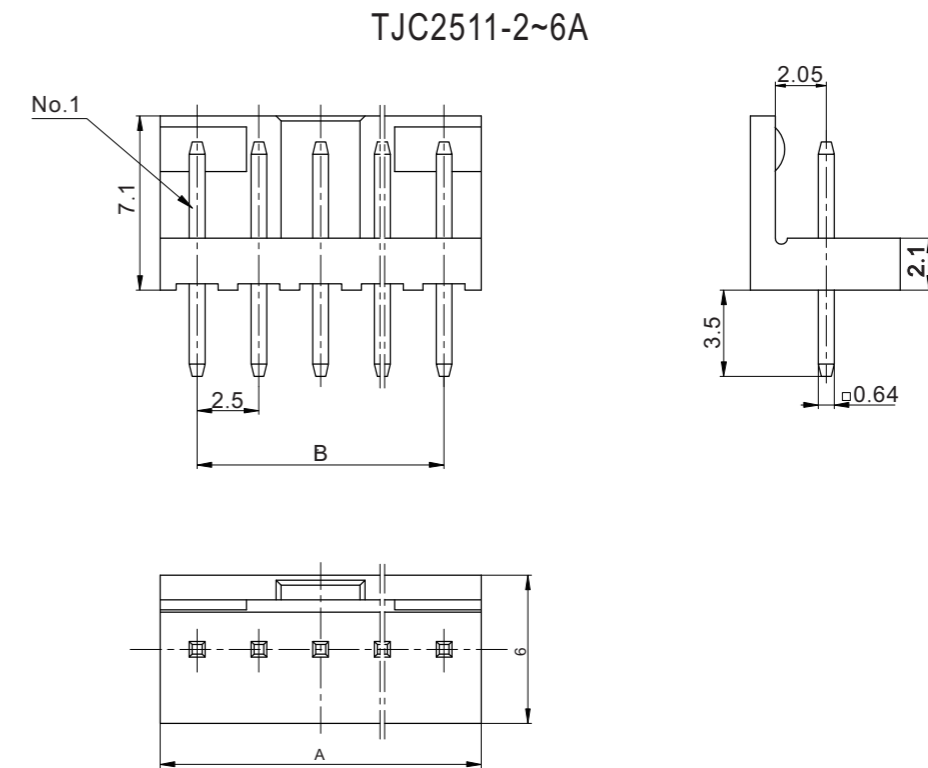
TJC2511-7~12Y



阴连接器 HOUSING



阳连接器 (直式) WAFER (180°)

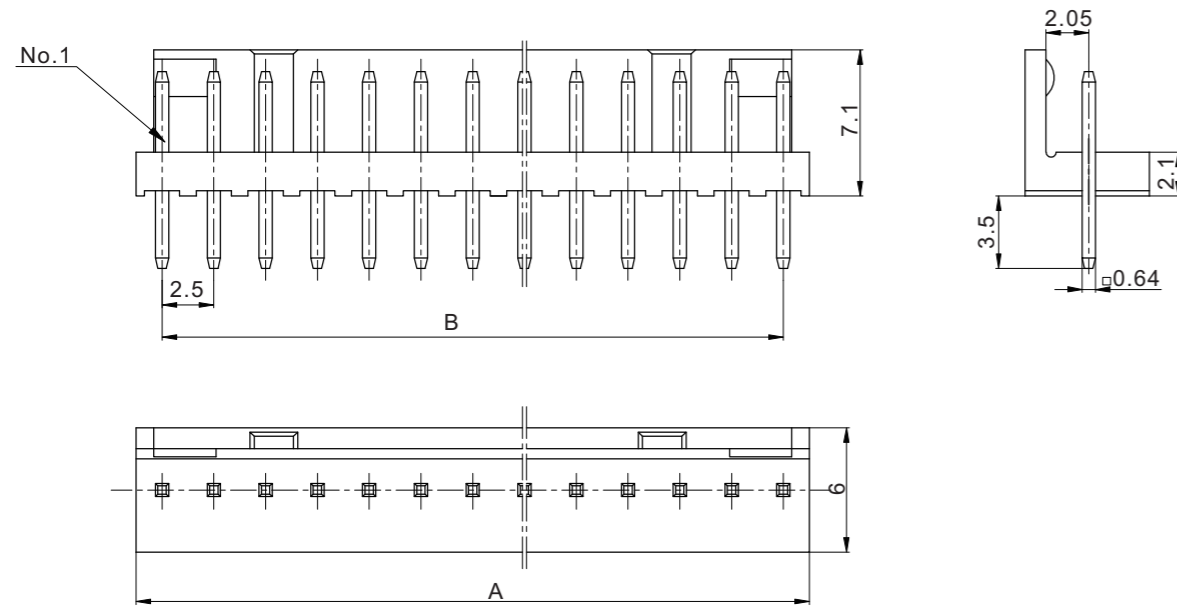


阳连接器 (直式) WAFER (180°)

线数 Poles	型号 Type	尺寸 Dimensions (mm)	
		A	B
2	TJC2511-2Y	5.5	2.5
3	TJC2511-3Y	8.0	5.0
4	TJC2511-4Y	10.5	7.5
5	TJC2511-5Y	13.0	10.0
6	TJC2511-6Y	15.5	12.5
7	TJC2511-7Y	18.0	15.0
8	TJC2511-8Y	20.5	17.5
9	TJC2511-9Y	23.0	20.0
10	TJC2511-10Y	25.5	22.5
11	TJC2511-11Y	28.0	25.0
12	TJC2511-12Y	30.5	27.5
13	TJC2511-13Y	33.0	30.0
14	TJC2511-14Y	35.5	32.5
15	TJC2511-15Y	38.0	35.0
材质 · 表面处理 Material and Finish		PA66 UL94V_0 White	

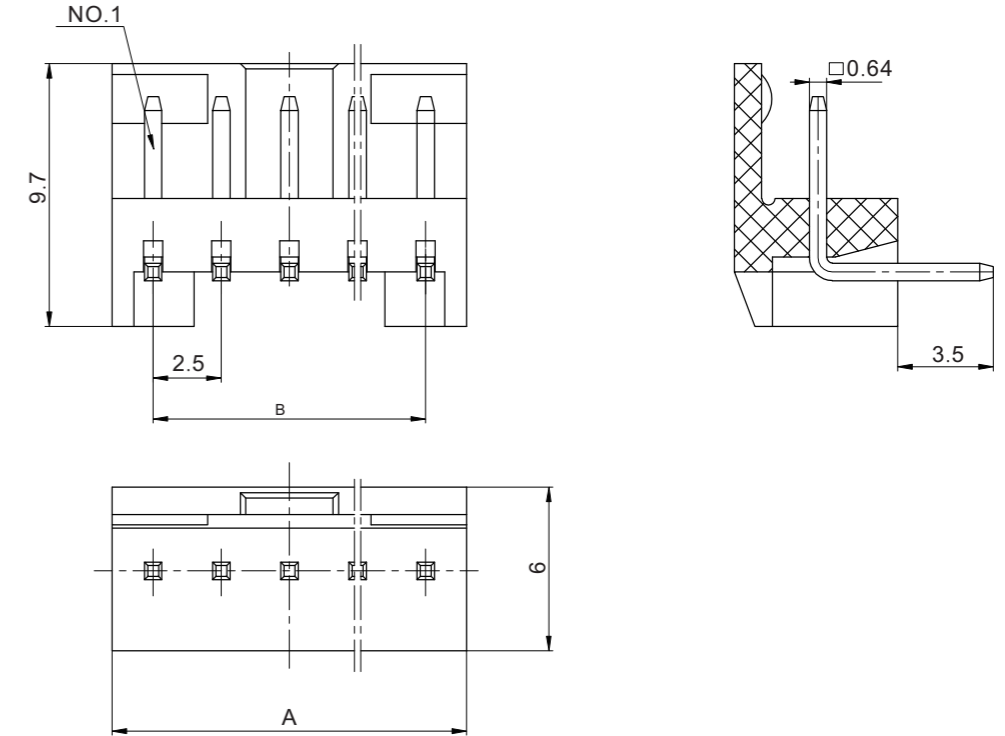
阳连接器 (直式) WAFER (180°)

TJC2511-13~15A



阳连接器 (弯式) WAFER (90°)

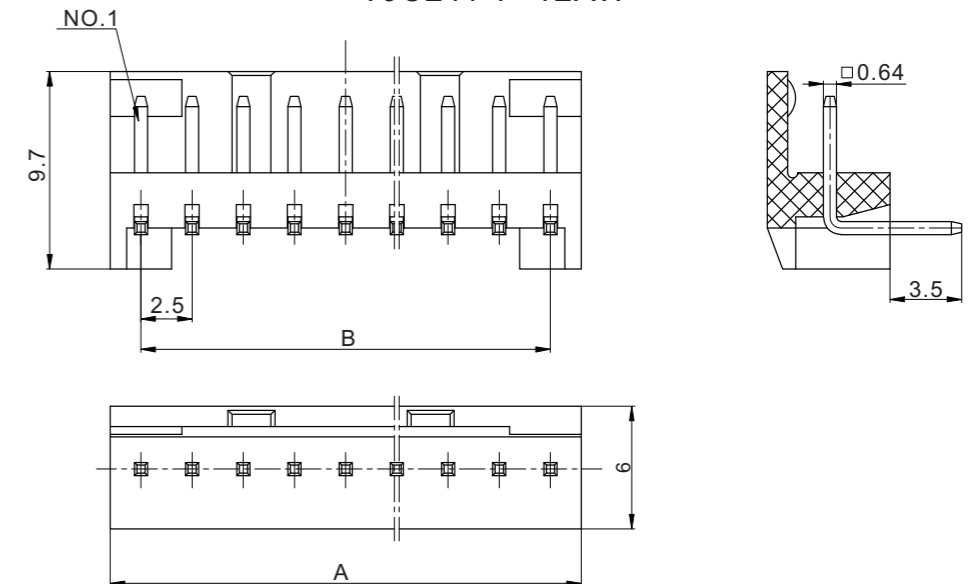
TJC2511-2~6AW



线数 Poles	型号 Type	尺寸 Dimensions (mm)	
		A	B
2	TJC2511-2A	5.0	2.5
3	TJC2511-3A	7.5	5.0
4	TJC2511-4A	10.0	7.5
5	TJC2511-5A	12.5	10.0
6	TJC2511-6A	15.0	12.5
7	TJC2511-7A	17.5	15.0
8	TJC2511-8A	20.0	17.5
9	TJC2511-9A	22.5	20.0
10	TJC2511-10A	25.0	22.5
11	TJC2511-11A	27.5	25.0
12	TJC2511-12A	30.0	27.5
13	TJC2511-13A	32.5	30.0
14	TJC2511-14A	35.0	32.5
15	TJC2511-15A	37.5	35.0
材质·表面处理 Material and Finish		PA66 UL94V_0 White; Brass Tin Plated	

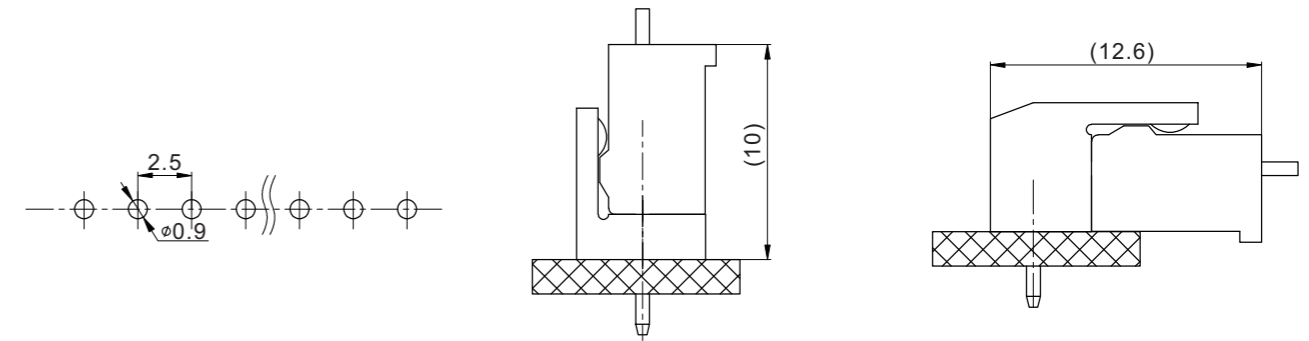
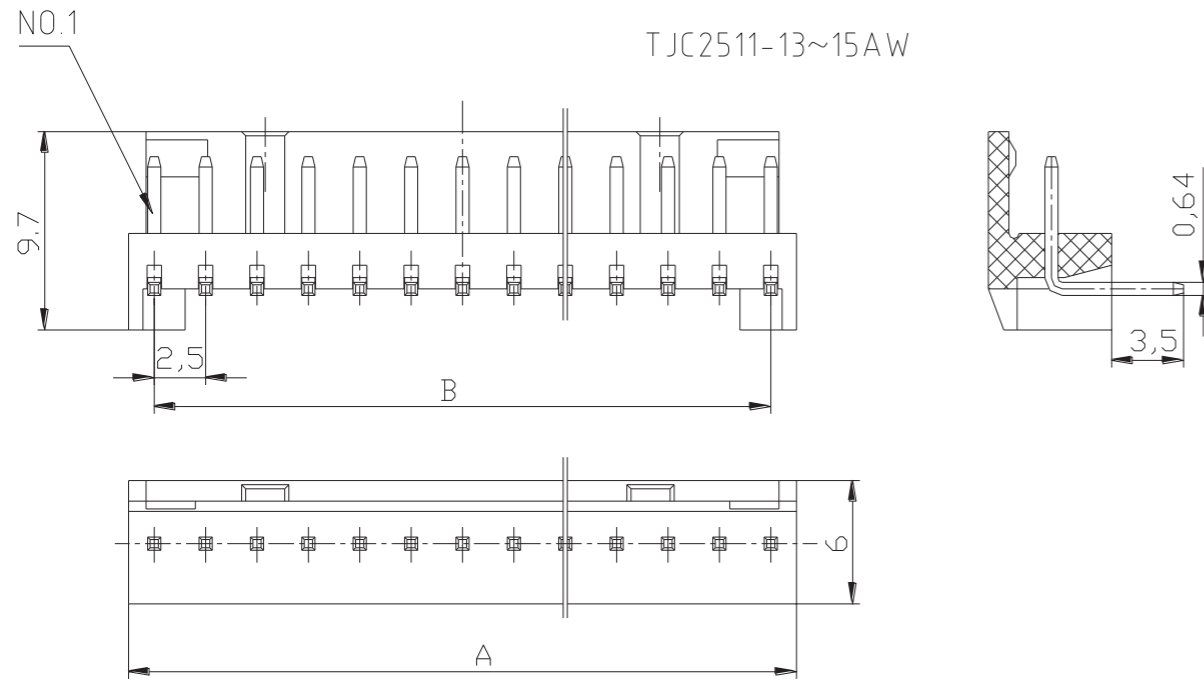
阳连接器 (弯式) WAFER (90°)

TJC211-7~12AW

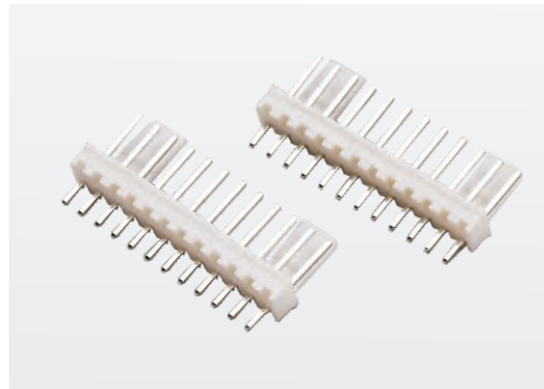


阳连接器 (弯式) WAFER (90°)

安装尺寸 MOUNTING MEASUREMENT



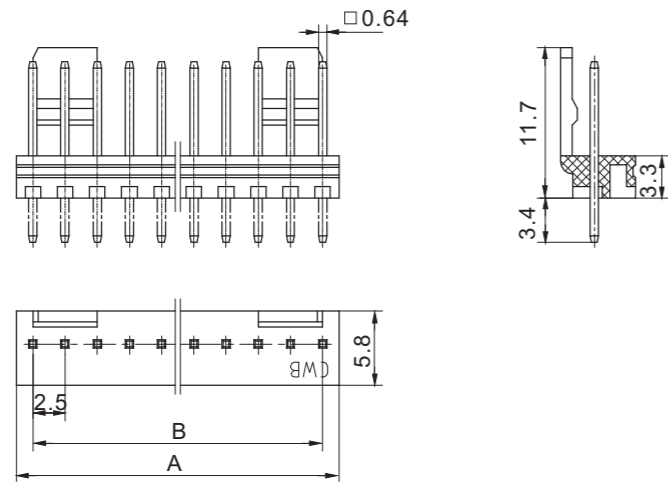
线数 Poles	型号 Type	尺寸 Dimensions (mm)	
		A	B
2	TJC2511-2AW	5.0	2.5
3	TJC2511-3AW	7.5	5.0
4	TJC2511-4AW	10.0	7.5
5	TJC2511-5AW	12.5	10.0
6	TJC2511-6AW	15.0	12.5
7	TJC2511-7AW	17.5	15.0
8	TJC2511-8AW	20.0	17.5
9	TJC2511-9AW	22.5	20.0
10	TJC2511-10AW	25.0	22.5
11	TJC2511-11AW	27.5	25.0
12	TJC2511-12AW	30.0	27.5
13	TJC2511-13AW	32.5	30.0
14	TJC2511-14AW	35.0	32.5
15	TJC2511-15AW	37.5	35.0
材质 · 表面处理 Material and Finish		PA66 UL94V_0 White; Brass Tin Plated	



技术参数 (SPECIFICATIONS)

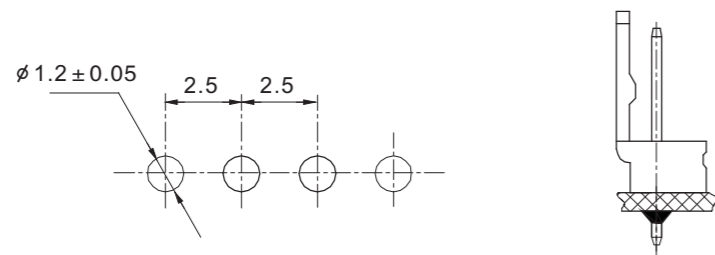
适应基板厚度 (Applicable PC board thickness) : 1.2mm~1.6mm
 温度范围 (Temprature range) : -40℃~105℃
 额定电压 (Voltage rating) : 250V AC/DC
 额定电流 (Current rating) : 3A
 耐压 (Withstand voltage) : 1000V AC/minute

阳连接器 (直式) WAFER (180°)



线数 Poles	型号 Type	尺寸Dimensions(mm)		线数 Poles	型号 Type	尺寸Dimensions(mm)		线数 Poles	型号 Type	尺寸Dimensions(mm)	
	直式(180°)	A	B		直式(180°)	A	B		直式(180°)	A	B
2	TJC25013-2A	5.0	2.5	9	TJC25013-9A	22.5	20.0	16	TJC25013-16A	40.0	37.5
3	TJC25013-3A	7.5	5.0	10	TJC25013-10A	25.0	22.5	17	TJC25013-17A	42.5	40.0
4	TJC25013-4A	10.0	7.5	11	TJC25013-11A	27.5	25.0	18	TJC25013-18A	45.0	42.5
5	TJC25013-5A	12.5	10.0	12	TJC25013-12A	30.0	27.5	19	TJC25013-19A	47.5	45.0
6	TJC25013-6A	15.0	12.5	13	TJC25013-13A	32.5	30.0	20	TJC25013-20A	50.0	47.5
7	TJC25013-7A	17.5	15.0	14	TJC25013-14A	35.0	32.5				
8	TJC25013-8A	20.0	17.5	15	TJC25013-15A	37.5	35.0				
材质·表面处理 Material and Finish		PA66 UL94V-0 · Nature; 黄铜 镀锡 Brass Tin · Plated									

安装尺寸 MOUNTING MEASUREMENT

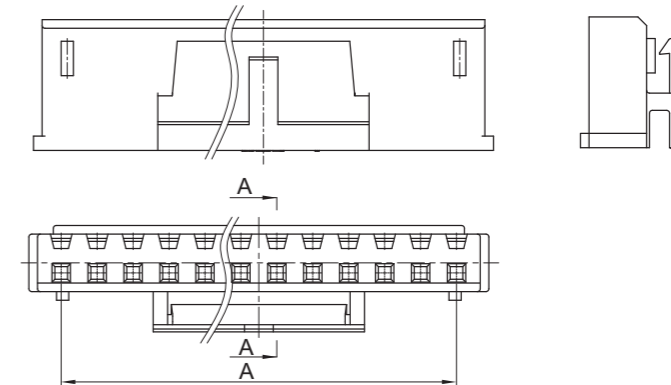


技术参数 (SPECIFICATIONS)

适用线规 (Applicable wires) : AWG28#~AWG22#
 适应基板厚度 (Applicable PC board thickness) : 1.2~1.6 mm
 温度范围 (Temperature range) : -25℃~+85℃
 额定电压 (Voltage rating) : 250V AC/DC
 额定电流 (Current rating) : 3A
 接触电阻 (Contact resistance) : ≤0.01Ω
 绝缘电阻 (Insulation resistance) : ≥1000MΩ
 耐压 (Withstand voltage) : 1000V AC/minute

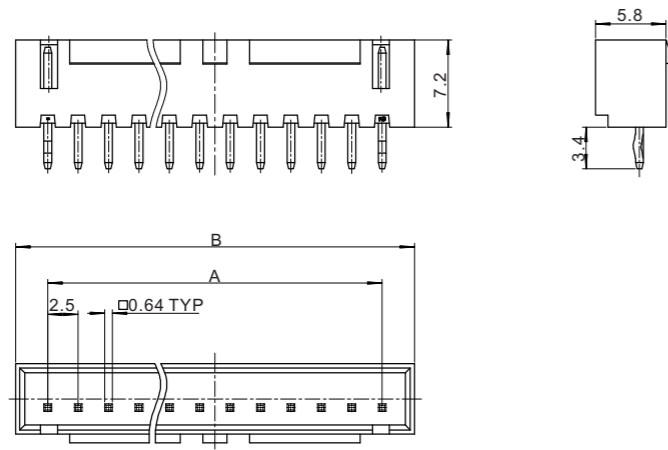
认证 (STANDARDS) : E200881

**端子Contact (TJC3插簧)
阴连接器 HOUSING**



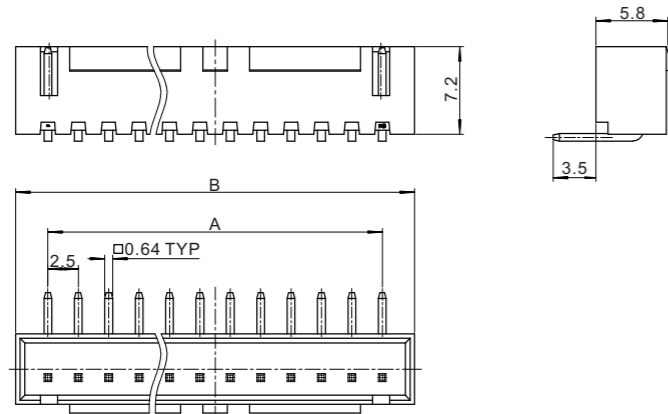
线数 Poles	型号 Type	尺寸 Dimensions (mm)			
		A	B	C	D
2	TJC25020-2Y	2.5	5.8	7.0	/
3	TJC25020-3Y	5.0	8.3	9.5	/
4	TJC25020-4Y	7.5	10.8	12.0	7.3
5	TJC25020-5Y	10.0	13.3	14.5	9.8
6	TJC25020-6Y	12.5	15.8	17.0	12.3
7	TJC25020-7Y	15.0	18.3	19.5	14.8
8	TJC25020-8Y	17.5	20.8	22.0	17.3
9	TJC25020-9Y	20.0	23.3	24.5	19.8
10	TJC25020-10Y	22.5	25.8	27.0	22.3
11	TJC25020-11Y	25.0	28.3	29.5	24.8
12	TJC25020-12Y	27.5	30.8	32.0	27.3
材料·表面处理 Material Finish		Pa66 UL94V-0 ·White			

阳连接器(180°)Wafer



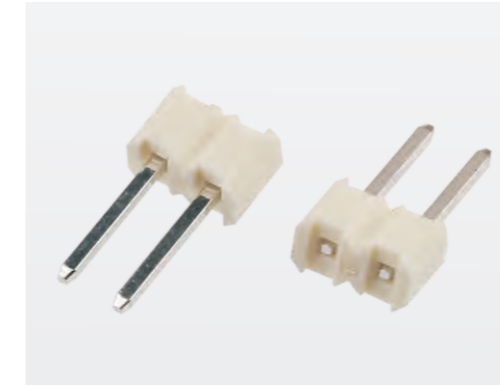
TJC25020-nA

阳连接器(90°)Wafer




TJC25020-nAW

线数 Poles	型号 Type		尺寸 Dimensions (mm)	
			A	B
2	TJC25020-2A	TJC25020-2AW	2.5	5.8
3	TJC25020-3A	TJC25020-3AW	5.0	8.3
4	TJC25020-4A	TJC25020-4AW	7.5	10.8
5	TJC25020-5A	TJC25020-5AW	10.0	13.3
6	TJC25020-6A	TJC25020-6AW	12.5	15.8
7	TJC25020-7A	TJC25020-7AW	15.0	18.3
8	TJC25020-8A	TJC25020-8AW	17.5	20.8
9	TJC25020-9A	TJC25020-9AW	20.0	23.3
10	TJC25020-10A	TJC25020-10AW	22.5	25.8
11	TJC25020-11A	TJC25020-11AW	25.0	28.3
12	TJC25020-12A	TJC25020-12AW	27.5	30.8
材质·表面处理 Material Finish Pa66 UL94V-O·White; 黄铜 Brass Tin·Plating				

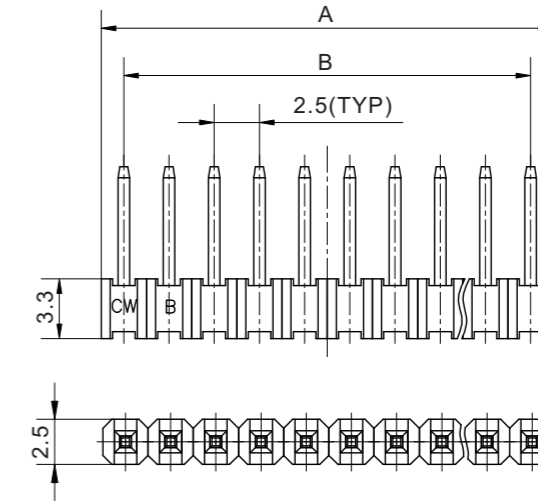


技术参数 (SPECIFICATIONS)

温度范围 (Temperature range) : -25°C~+85°C
 额定电压 (Voltage rating) : 250V AC/DC
 额定电流 (Current rating) : 2A
 绝缘电阻 (Insulation resistance) : ≥1000MΩ
 耐压 (Withstand voltage) : 800V AC/minute

认证 (STANDARDS) :  E200881


阳连接器 Wafer



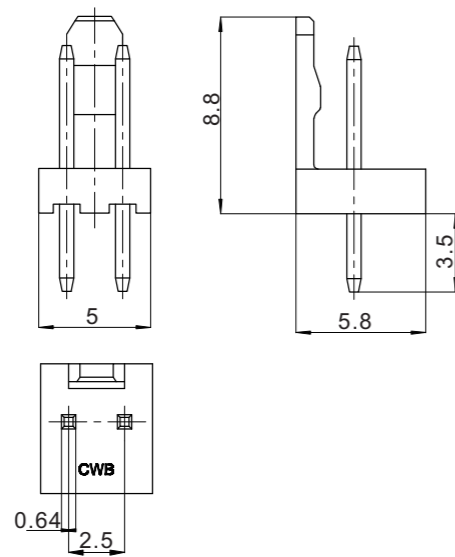
线数 Poles	型号 Type	尺寸 Dimensions (mm)		线数 Poles	型号 Type	尺寸 Dimensions (mm)	
		A	B			A	B
2	TJC25027-2A	5.0	2.5	12	TJC25027-2A	30.0	27.5
3	TJC25027-2A	7.5	5.0	13	TJC25027-2A	32.5	30.0
4	TJC25027-2A	10.0	7.5	14	TJC25027-2A	35.0	32.5
5	TJC25027-2A	12.5	10.0	15	TJC25027-2A	37.5	35.0
6	TJC25027-2A	15.0	12.5	16	TJC25027-2A	40.0	37.5
7	TJC25027-2A	17.5	15.0	17	TJC25027-2A	42.5	40.0
8	TJC25027-2A	20.0	17.5	18	TJC25027-2A	45.0	42.5
9	TJC25027-2A	22.5	20.0	19	TJC25027-2A	47.5	45.0
10	TJC25027-2A	25.0	22.5	20	TJC25027-2A	50.0	47.5
11	TJC25027-2A	27.5	25.0				
材质·表面处理 Material and Finish						PA6T	
						UL94V_0; 黄铜 Brass Au·Plating	



技术参数 (SPECIFICATIONS)

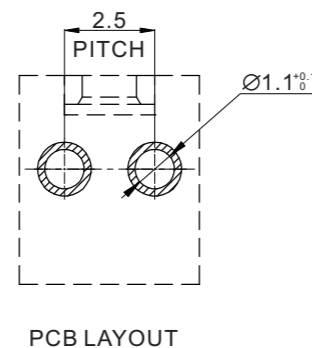
温度范围 (Temperature range) : -25°C~+85°C
 额定电压 (Voltage rating) : 250V AC/DC
 额定电流 (Current rating) : 3A
 接触电阻 (Contact resistance) : ≤0.02Ω
 绝缘电阻 (Insulation resistance) : ≥1000MΩ
 耐压 (Withstand voltage) : 1000V AC/minute
 认证 (STANDARDS) :  E200881

阳连接器 Wafer




线数 Poles	型号 Type
2	TJC25032-2A
材质·表面处理 Material and Finish PA66 UL94V-0 黄铜 镀锡 Brass Tin·Plating	

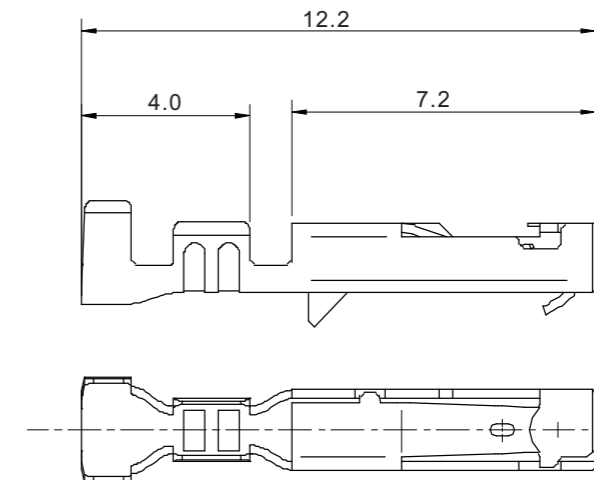
安装尺寸 MOUNTING MEASUREMENT



技术参数 (SPECIFICATIONS)

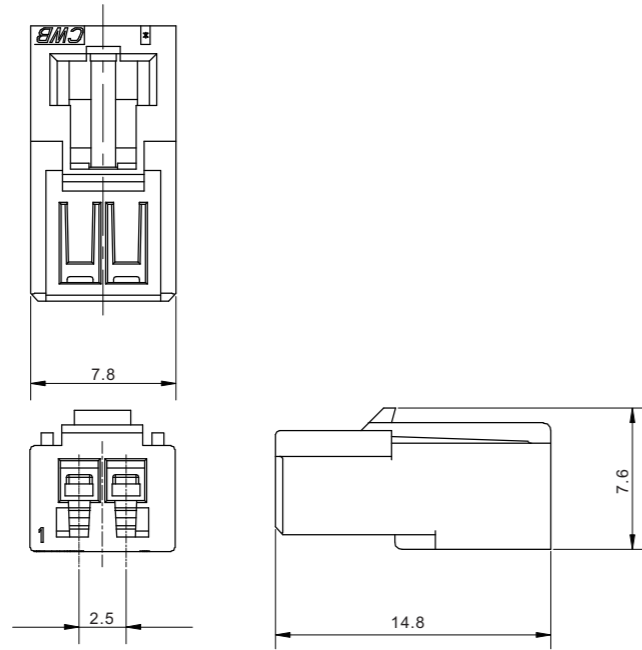
适用线规 (Applicable wires) : AWG28#~22#
 温度范围 (Temperature range) : -40°C~+105°C
 额定电压 (Voltage rating) : 250V AC/DC
 额定电流 (Current rating) : 3A
 接触电阻 (Contact resistance) : ≤0.02Ω
 绝缘电阻 (Insulation resistance) : ≥1000MΩ
 耐压 (Withstand voltage) : 1000V AC/minute
 认证 (STANDARDS) :  E200881

端子 Contact



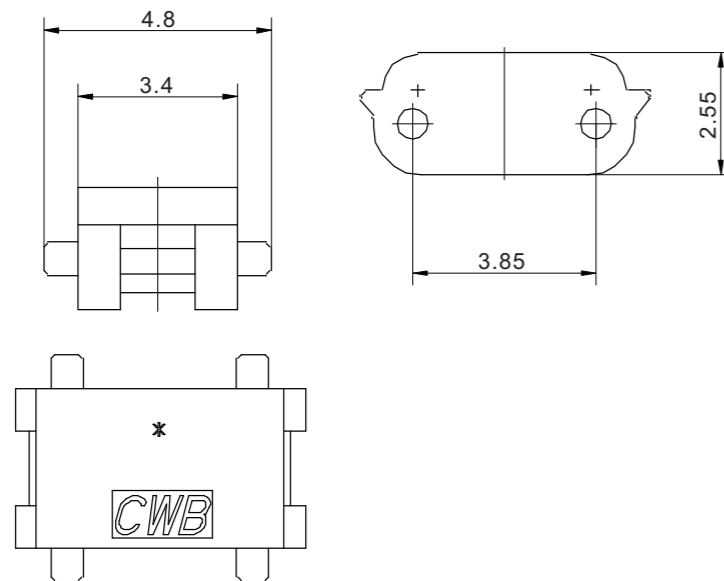
型号 Type	适用导线范围 Wire Range		导线外径 Wire ins.Dis
	mm ²	AWG#	
TJC25035	0.08 ~ 0.33	28 ~ 22	1.2 ~ 1.6
材质·表面处理 Material and Finish 磷青铜 Phos·bronze Tin·Plating			

阴连接器 HOUSING

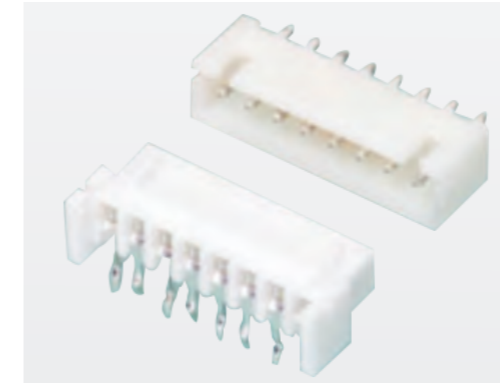


线数 Poles	型号 Type
2	TJC25035-2Y
材质·表面处理 Material and Finish PA66 UL94V-0·White	


锁紧片 Lock plate



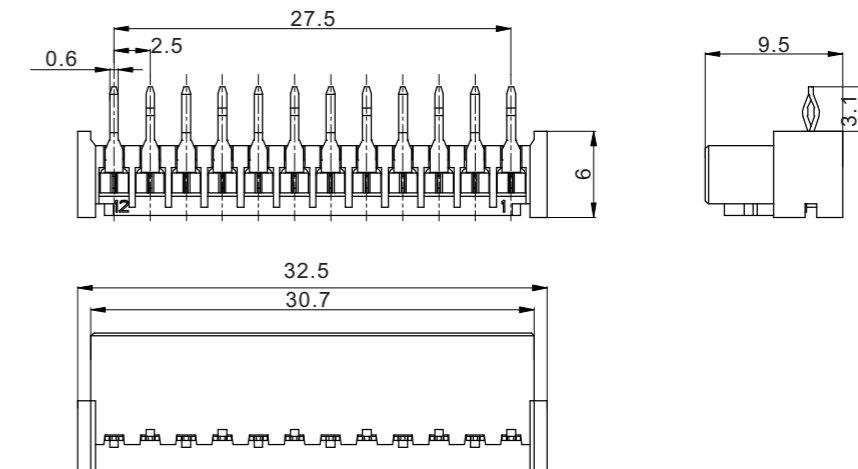
线数 Poles	型号 Type
2	TJC25035-2YS
材质·表面处理 Material and Finish PBT UL94V-0·White	



技术参数 (SPECIFICATIONS)

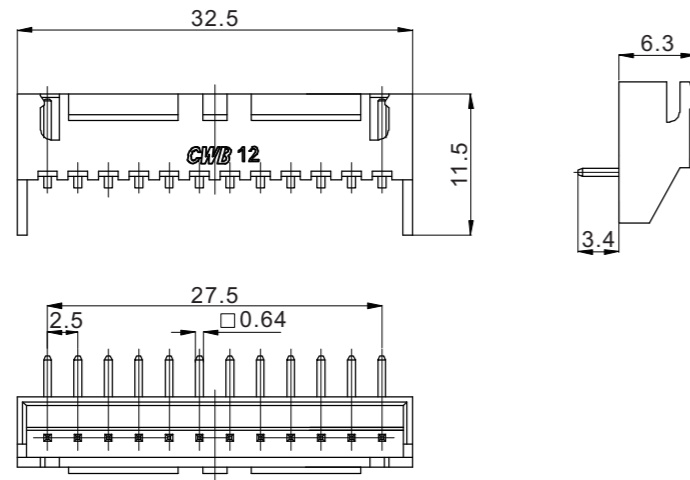
温度范围 (Temperature range) : -25℃~+85℃
 额定电压 (Voltage rating) : 250V AC/DC
 额定电流 (Current rating) : 3A
 接触电阻 (Contact resistance) : ≤0.03Ω
 绝缘电阻 (Insulation resistance) : ≥100MΩ
 耐电压 (Withstand voltage) : 1000V AC/minute
 认证 (STANDARDS) :  E200881

阴连接器Housing



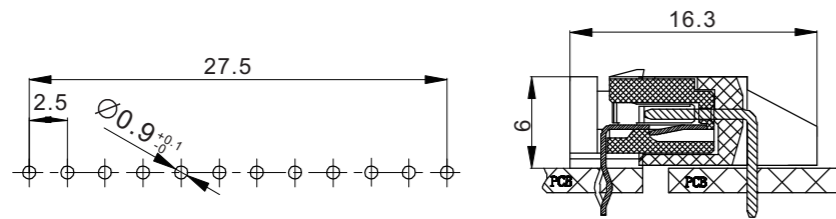
线数 Poles	型号Type
12	TJC25040-12Y
材质·表面处理 Material and Finish PA66 UL94V-0 磷青铜 镀锡 Phos·bronze Tin·Plating	

阳连接器Wafer



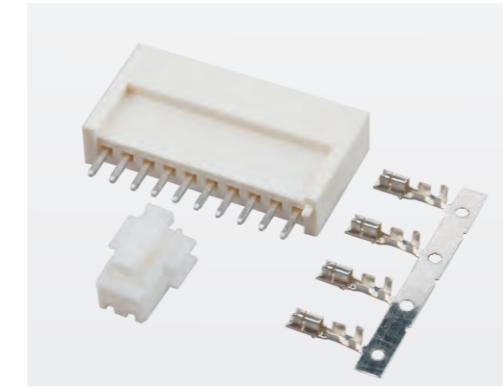
线数 Poles	型号Type
12	TJC25043-12AWJ
材质·表面处理 Material and Finish PA66 UL94V-0 黄铜 镀锡 Brass Tin·Plating	

安装尺寸 MOUNTING MEASUREMENT

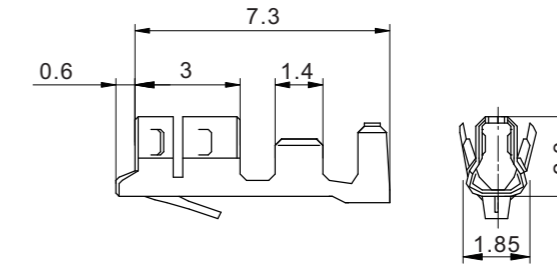


技术参数 (SPECIFICATIONS)

适用线规 (Applicable wires) : AWG28#~22#
 适应基板厚度 (Applicable PC board thickness) : 1.6 mm
 温度范围 (Temperature range) : -25℃~85℃
 额定电压 (Voltage rating) : 250V AC/DC
 额定电流 (Current rating) : 3A
 接触电阻 (Contact resistance) : ≤0.01Ω
 绝缘电阻 (Insulation resistance) : ≥1000MΩ
 耐压 (Withstand voltage) : 1000V AC/minute

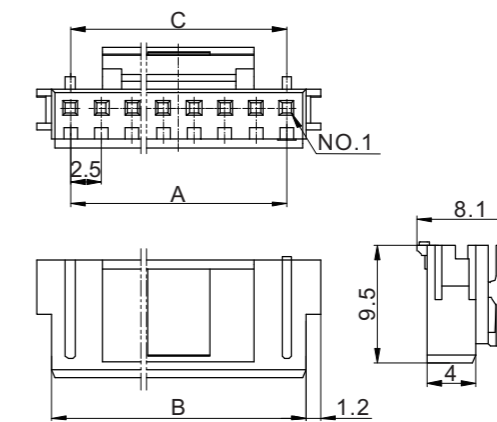


端子 TERMINAL



型号 Type	适用导线范围 Wire Range		导线外径 Wire ins.Dis
	mm ²	AWG#	
TJC25041	0.08 ~ 0.326	28 ~ 22	1.15 ~ 1.8
材质·表面处理 Material and Finish 磷青铜 Phos·bronze Tin·Plated			

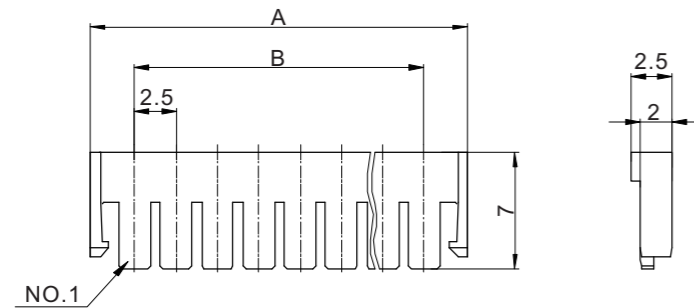
阴连接器 HOUSING



Poles	型号 Type	尺寸 Dimensions (mm)		
		A	B	C
2	TJC25041-2Y	2.5	5.6	4.3
3	TJC25041-3Y	5.0	8.1	5.0
4	TJC25041-4Y	7.5	10.6	7.5
5	TJC25041-5Y	10.0	13.1	10.0

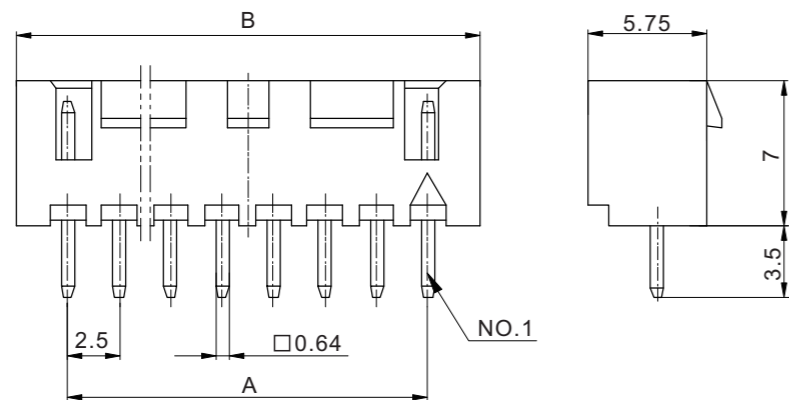
6	TJC25041-6Y	12.5	15.6	12.5
7	TJC25041-7Y	15.0	18.1	15.0
8	TJC25041-8Y	17.5	20.6	17.5
9	TJC25041-9Y	20.0	23.1	20.0
10	TJC25041-10Y	22.5	25.6	22.5
12	TJC25041-12Y	27.5	30.6	27.5
14	TJC25041-14Y	32.5	35.6	32.5
材质·表面处理 Material and Finish		PA66 UL94V_0 · White		

锁紧片 Lock plate

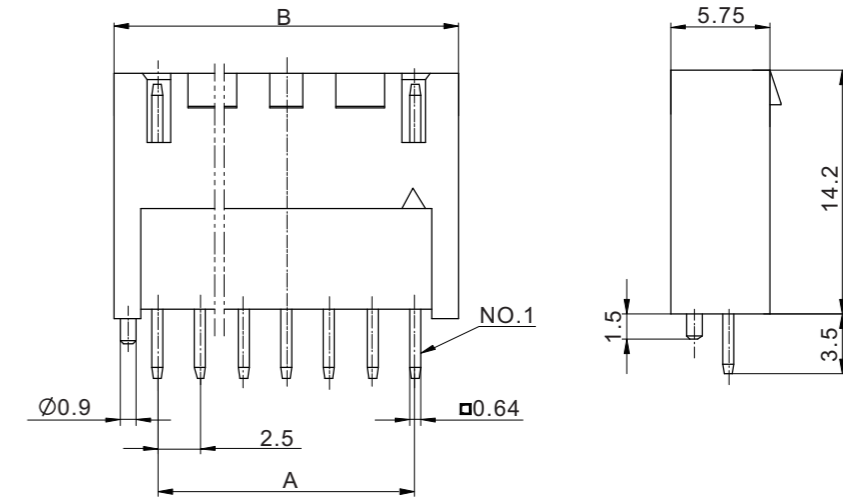


线数 Poles	型号 Type	尺寸 Dimensions (mm)	
		A	B
2	TJC25041-2YS	2.5	7.8
3	TJC25041-3YS	5.0	10.3
4	TJC25041-4YS	7.5	12.8
5	TJC25041-5YS	10.0	15.3
6	TJC25041-6YS	12.5	17.8
7	TJC25041-7YS	15.0	20.3
8	TJC25041-8YS	17.5	22.8
9	TJC25041-9YS	20.0	25.3
10	TJC25041-10YS	22.5	27.8
12	TJC25041-12YS	27.5	32.8
14	TJC25041-14YS	32.5	37.8
材质·表面处理 Material and Finish		PA66 UL94V_0 · White	

阳连接器 (直式) HEADER (180°)

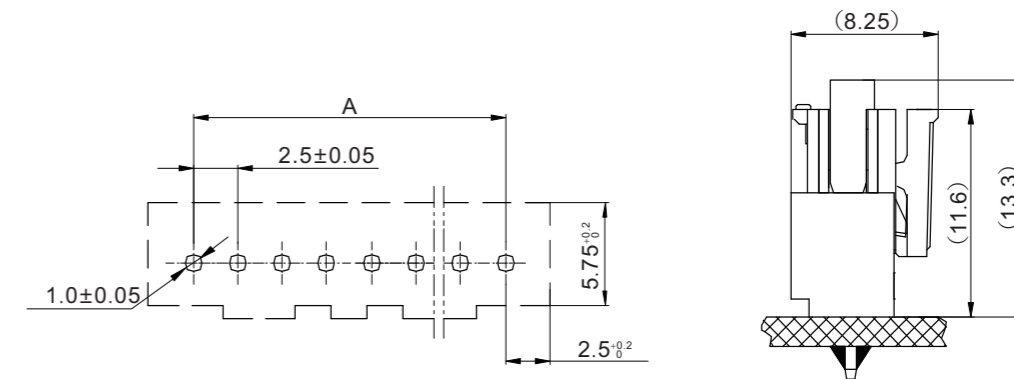


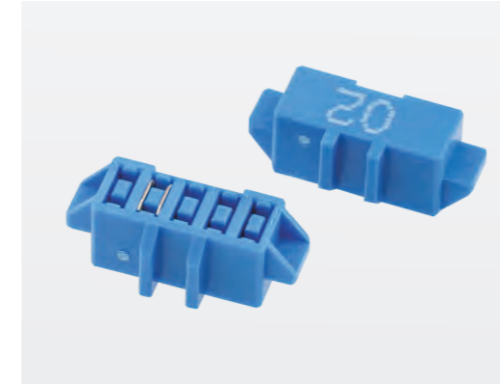
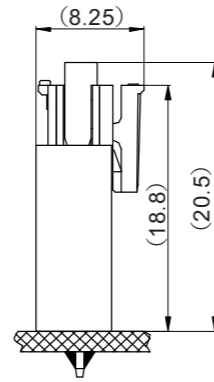
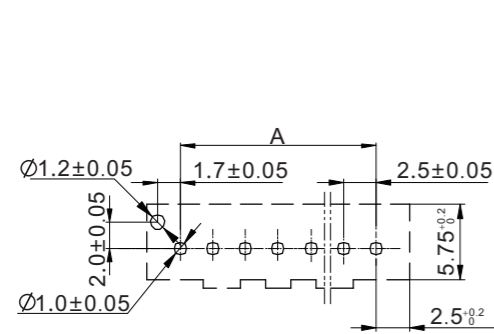
阳连接器 (直式高脚) HEADER (180°)



线数 Poles	型号 Type		尺寸 Dimensions (mm)	
			A	B
2	TJC25041-2A	TJC25041-2AG	2.5	7.5
3	TJC25041-3A	TJC25041-3AG	5	10
4	TJC25041-4A	TJC25041-4AG	7.5	12.5
5	TJC25041-5A	TJC25041-5AG	10	15
6	TJC25041-6A	TJC25041-6AG	12.5	17.5
7	TJC25041-7A	TJC25041-7AG	15	20
8	TJC25041-8A	TJC25041-8AG	17.5	22.5
9	TJC25041-9A	TJC25041-9AG	20	25
10	TJC25041-10A	TJC25041-10AG	22.5	27.5
12	TJC25041-12A	TJC25041-12AG	27.5	32.5
14	TJC25041-14A	TJC25041-14AG	32.5	37.5
材质·表面处理 Material and Finish		PA66 UL94V_0 · White		

安装尺寸 MOUNTING MEASUREMENT

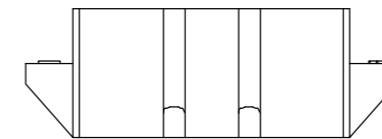
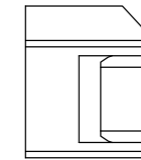
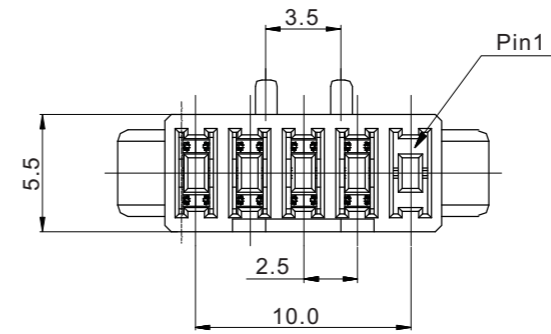
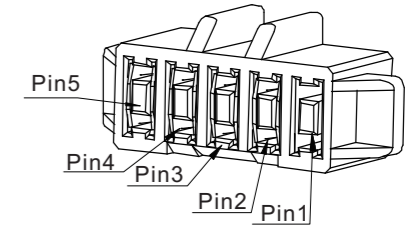
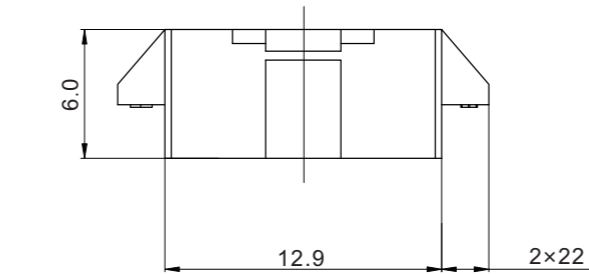




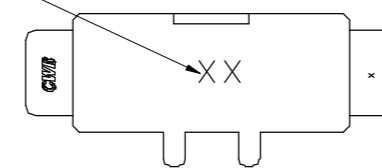
技术参数 (SPECIFICATIONS)

- 适应基板厚度 (Applicable PC board thickness) : 1.6 mm
- 温度范围 (Temperature range) : -25°C~+85°C
- 额定电压 (Voltage rating) : 250V AC/DC
- 额定电流 (Current rating) : 3A
- 接触电阻 (Contact resistance) : $\leq 0.02\Omega$
- 绝缘电阻 (Insulation resistance) : $\geq 500M\Omega$
- 耐压 (Withstand voltage) : 800V AC/minute

阴连接器 HOUSING



产品序号

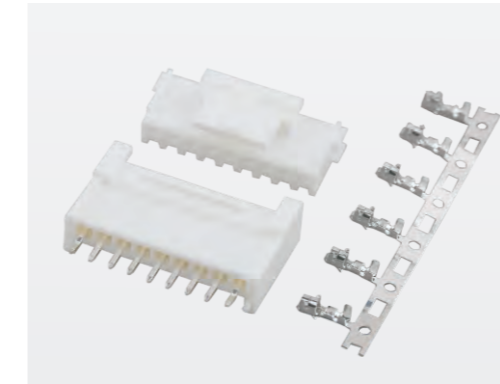
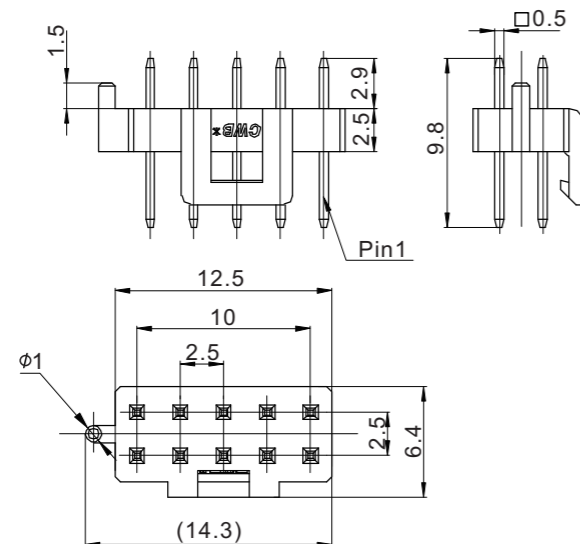


线数 Poles	型号 Type	Pin 5	Pin 4	Pin 3	Pin 2	Pin 1	插簧数量
2×5Y	TJC25046-2×5Y-01(BL)	0	0	0	0	1	2
2×5Y	TJC25046-2×5Y-02(BL)	0	0	0	1	0	2
2×5Y	TJC25046-2×5Y-03(BL)	0	0	0	1	1	4
2×5Y	TJC25046-2×5Y-04(BL)	0	0	1	0	0	2
2×5Y	TJC25046-2×5Y-05(BL)	0	0	1	0	1	4
2×5Y	TJC25046-2×5Y-06(BL)	0	0	1	1	0	4
2×5Y	TJC25046-2×5Y-07(BL)	0	0	1	1	1	6
2×5Y	TJC25046-2×5Y-08(BL)	0	1	0	0	0	2
2×5Y	TJC25046-2×5Y-09(BL)	0	1	0	0	1	4
2×5Y	TJC25046-2×5Y-10(BL)	0	1	0	1	0	4
2×5Y	TJC25046-2×5Y-11(BL)	0	1	0	1	1	6
2×5Y	TJC25046-2×5Y-12(BL)	0	1	1	0	0	4
2×5Y	TJC25046-2×5Y-13(BL)	0	1	1	0	1	6
2×5Y	TJC25046-2×5Y-14(BL)	0	1	1	1	0	6
2×5Y	TJC25046-2×5Y-15(BL)	0	1	1	1	1	8
2×5Y	TJC25046-2×5Y-16(BL)	1	0	0	0	0	2
2×5Y	TJC25046-2×5Y-17(BL)	1	0	0	0	1	4
2×5Y	TJC25046-2×5Y-18(BL)	1	0	0	1	0	4
2×5Y	TJC25046-2×5Y-19(BL)	1	0	0	1	1	6
2×5Y	TJC25046-2×5Y-20(BL)	1	0	1	0	0	4
2×5Y	TJC25046-2×5Y-21(BL)	1	0	1	0	1	6
2×5Y	TJC25046-2×5Y-22(BL)	1	0	1	1	0	6
2×5Y	TJC25046-2×5Y-23(BL)	1	0	1	1	1	8
2×5Y	TJC25046-2×5Y-24(BL)	1	1	0	0	0	4
2×5Y	TJC25046-2×5Y-25(BL)	1	1	0	0	1	6
2×5Y	TJC25046-2×5Y-26(BL)	1	1	0	1	0	6
2×5Y	TJC25046-2×5Y-27(BL)	1	1	0	1	1	8
2×5Y	TJC25046-2×5Y-28(BL)	1	1	1	0	0	6
2×5Y	TJC25046-2×5Y-29(BL)	1	1	1	0	1	8
2×5Y	TJC25046-2×5Y-30(BL)	1	1	1	1	0	8

1表示该孔装配插簧, 0表示不装配插簧

材质·表面处理 Material and Finish PA66 UL94V-0
磷青铜 局部镀金 Ni under plating over all and Au plating on the contact area

阳连接器 Header

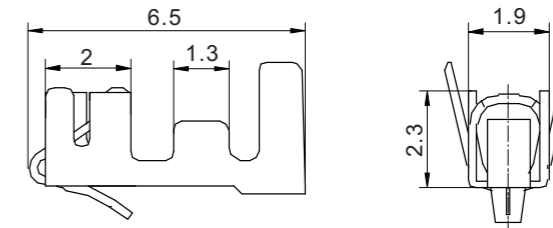


技术参数 (SPECIFICATIONS)

适用线规 (Applicable wires) : AWG28#~22#
 适应基板厚度 (Applicable PC board thickness) : 1.6 mm
 温度范围 (Temperature range) : -25℃~105℃
 额定电压 (Voltage rating) : 250V AC/DC
 额定电流 (Current rating) : 3A
 接触电阻 (Contact resistance) : ≤0.01 Ω
 绝缘电阻 (Insulation resistance) : ≥1000MΩ
 耐电压 (Withstand voltage) : 1000V AC/minute

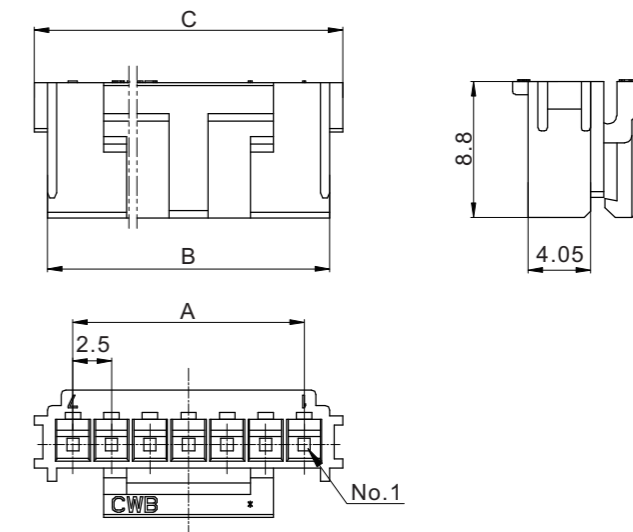
认证 (STANDARDS) : E200881

端子 TERMINAL



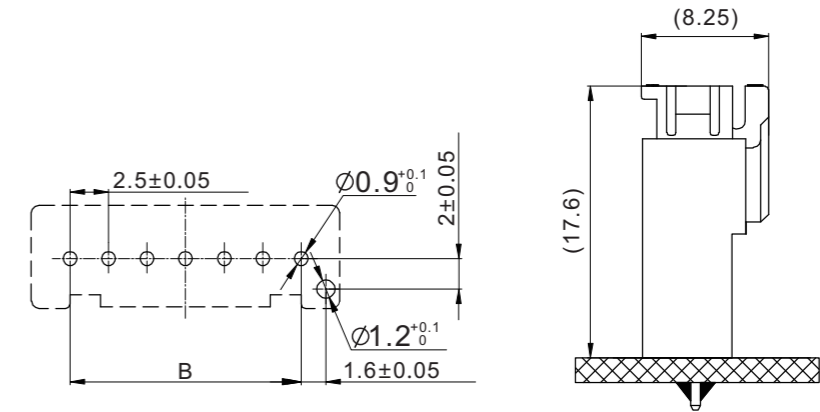
型号 Type	适用导线范围Wire Range		导线外径 Wire ins.Dis
	mm ²	AWG#	
TJC3	0.08 ~ 0.326	28 ~ 22	1.15 ~ 1.8
材质·表面处理 Material and Finish			
磷青铜 Phos·bronze Tin·Plated			

阴连接器 HOUSING

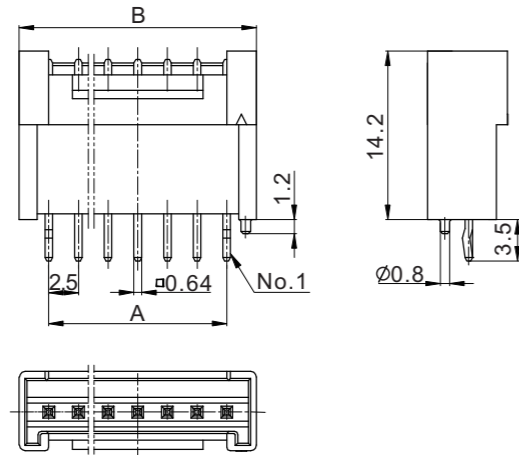


线数 Poles	型号 Type	尺寸Dimensions (mm)		
		A	B	C
2	TJC25057-2Y	7.5	2.5	5.8
3	TJC25057-3Y	10	5	8.3
4	TJC25057-4Y	12.5	7.5	10.8
5	TJC25057-5Y	15	10	13.3
6	TJC25057-6Y	17.5	12.5	15.8
7	TJC25057-7Y	20	15	18.3
8	TJC25057-8Y	22.5	17.5	20.8
9	TJC25057-9Y	25	20	23.3
10	TJC25057-10Y	27.5	22.5	25.8
12	TJC25057-12Y	32.5	27.5	30.8

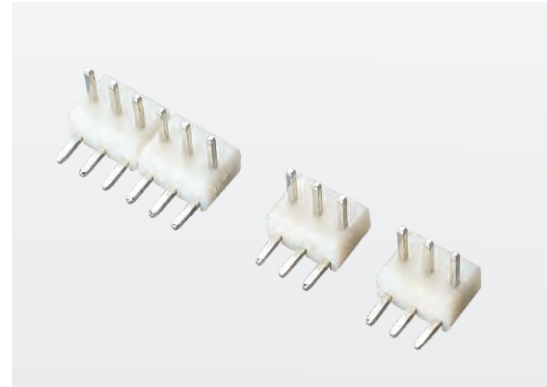
安装尺寸 MOUNTING MEASUREMENT



阳连接器 (直式) HEADER (180°)



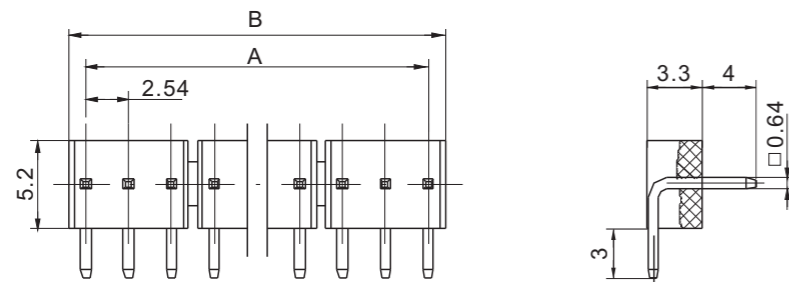
线数 Poles	型号 Type	尺寸Dimensions (mm)	
		A	B
2	TJC25057-2A	2.5	7.5
3	TJC25057-3A	5	10
4	TJC25057-4A	7.5	12.5
5	TJC25057-5A	10	15
6	TJC25057-6A	12.5	17.5
7	TJC25057-7A	15	20
8	TJC25057-8A	17.5	22.5
9	TJC25057-9A	20	25
10	TJC25057-10A	22.5	27.5
12	TJC25057-12A	27.5	32.5



技术参数 (SPECIFICATIONS)

温度范围 (Temprature range) : -25°C~85°C
 额定电压 (Voltage rating) : 250V AC/DC
 额定电流 (Current rating) : 3A
 接触电阻 (Contact resistance) : ≤0.01Ω
 绝缘电阻 (Insulation resistance) : ≥1000MΩ
 耐压 (Withstand voltage): 1000V AC/minute

阳连接器 WAFER



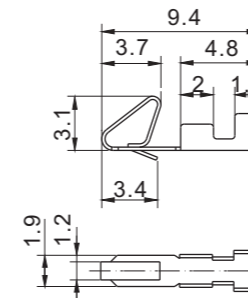
线数 Poles	型号 Type	尺寸Dimensions(mm)	
		A	B
3	LFAW025-3A	5.08	7.1
6	LFAW025-6A	12.7	14.72
9	LFAW025-9A	20.32	22.34
12	LFAW025-12A	27.94	29.96
材质·表面处理 Material and Finish		PA66 UL94V-0 · White; 黄铜 镀锡 Brass Tin · Plated	



技术参数 (SPECIFICATIONS)

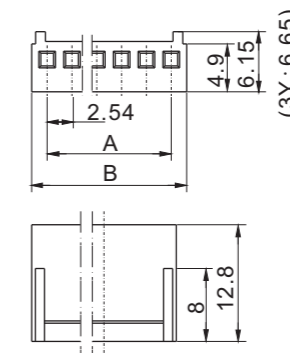
适用线规 (Applicable wires) : AWG28#~22#
 适应基板厚度 (Applicable PC board thickness) : 1.6mm
 温度范围 (Temprature range) : -25°C~85°C
 额定电压 (Voltage rating) : 250V AC/DC
 额定电流 (Current rating) : 3A
 接触电阻 (Contact resistance) : ≤0.01Ω
 绝缘电阻 (Insulation resistance) : ≥1000MΩ
 耐压 (Withstand voltage) : 1000V AC/mintue

端子 TERMINAL



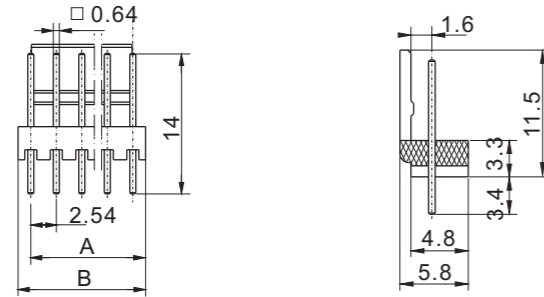
型号 Type	适用导线范围 Wire Range		导线外径 Wire ins.Dis
	mm²	AWG#	
TJC2510	0.08 ~ 0.33	28 ~ 22	1.0~1.7
材质·表面处理 Material and Finish			
磷青铜 Phos·bronze Tin·Plated			

阴连接器 HOUSING

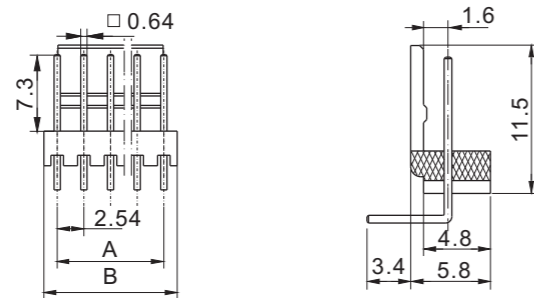


线数 Poles	型号 Type	尺寸Dimensions(mm)		线数 Poles	型号 Type	尺寸Dimensions(mm)	
		A	B			A	B
2	TJC13-2Y	2.54	5.68	12	TJC13-12Y	27.94	31.08
3	TJC13-3Y	5.08	8.22	13	TJC13-13Y	30.48	33.62
4	TJC13-4Y	7.62	10.78	14	TJC13-14Y	33.02	36.16
5	TJC13-5Y	10.16	13.30	15	TJC13-15Y	35.56	38.70
6	TJC13-6Y	12.70	15.84	16	TJC13-16Y	38.10	41.24
7	TJC13-7Y	15.24	18.38	17	TJC13-17Y	40.64	43.78
8	TJC13-8Y	17.78	20.92	18	TJC13-18Y	43.18	46.32
9	TJC13-9Y	20.32	23.46	19	TJC13-19Y	45.72	48.86
10	TJC13-10Y	22.86	26.00	20	TJC13-20Y	48.26	51.40
11	TJC13-11Y	25.40	28.54				
材质·表面处理 Material and Finish		PA66 UL94V-0 · White					

阳连接器 (直式) WAFER (180°)

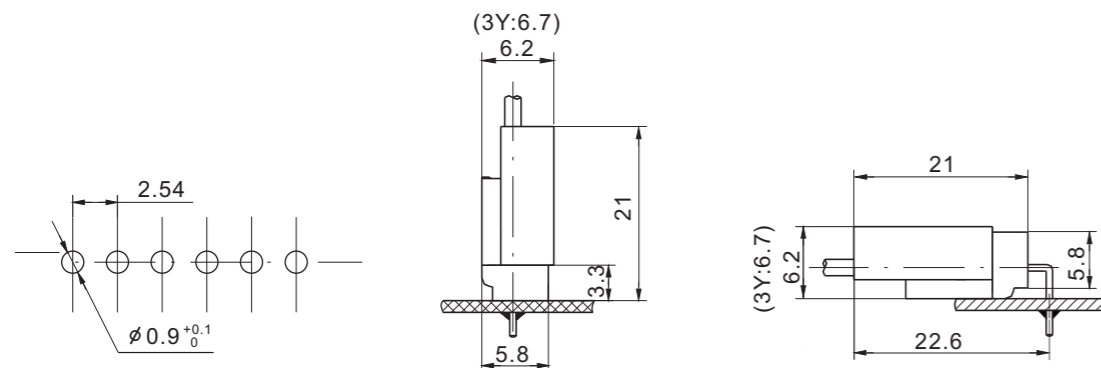


阳连接器 (弯式) WAFER (90°)




线数 Poles	型号 Type		尺寸Dimensions(mm)		线数 Poles	型号 Type		尺寸Dimensions(mm)	
	直式 (180°)	弯式 (90°)	A	B		直式 (180°)	弯式 (90°)	A	B
2	TJC13-2A	TJC13-2AW	2.54	5.08	12	TJC13-12A	TJC13-12AW	27.94	30.48
3	TJC13-3A	TJC13-3AW	5.08	7.62	13	TJC13-13A	TJC13-13AW	30.48	33.02
4	TJC13-4A	TJC13-4AW	7.62	10.16	14	TJC13-14A	TJC13-14AW	33.02	35.56
5	TJC13-5A	TJC13-5AW	10.16	12.70	15	TJC13-15A	TJC13-15AW	35.56	38.10
6	TJC13-6A	TJC13-6AW	12.70	15.24	16	TJC13-16A	TJC13-16AW	38.10	40.64
7	TJC13-7A	TJC13-7AW	15.24	17.78	17	TJC13-17A	TJC13-17AW	40.64	43.18
8	TJC13-8A	TJC13-8AW	17.78	20.32	18	TJC13-18A	TJC13-18AW	43.18	45.72
9	TJC13-9A	TJC13-9AW	20.32	22.86	19	TJC13-19A	TJC13-19AW	45.72	48.26
10	TJC13-10A	TJC13-10AW	22.86	25.40	20	TJC13-20A	TJC13-20AW	48.26	50.80
11	TJC13-11A	TJC13-11AW	25.40	27.94					
材质·表面处理 Material and Finish					PA66 UL94V-0 · White; 黄铜 镀锡 Brass Tin · Plated				

安装尺寸 MOUNTING MEASUREMENT

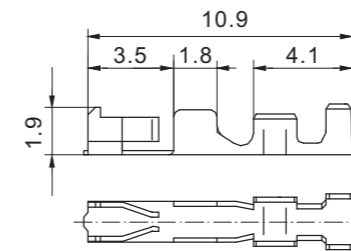


技术参数 (SPECIFICATIONS)

适用线规 (Applicable wires) : AWG28#~22#
 适应基板厚度 (Applicable PC board thickness) : 1.2mm~1.6mm
 温度范围 (Temperature range) : -25°C~85°C
 额定电压 (Voltage rating) : 250V AC/DC
 额定电流 (Current rating) : 3A
 接触电阻 (Contact resistance) : ≤0.01Ω
 绝缘电阻 (Insulation resistance) : ≥1000MΩ
 耐压 (Withstand voltage) : 1000V AC/minute

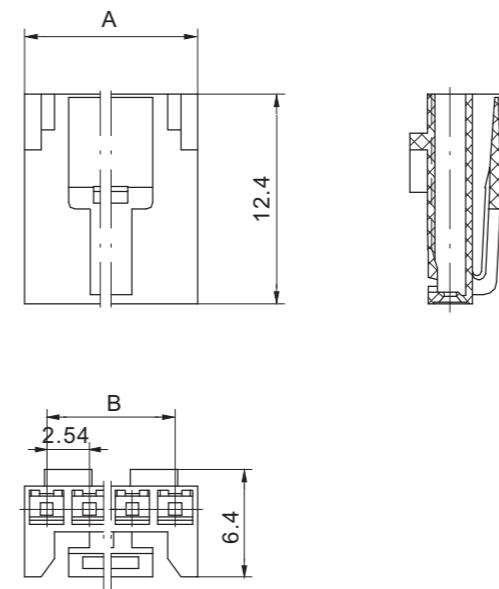
认证 (STANDARDS) :  E200881

端子 TERMINAL



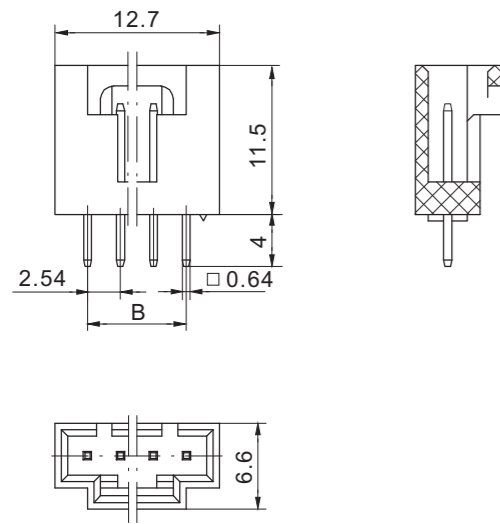
型号 Type	适用导线范围 Wire Range		导线外径 Wire ins.Dis
	mm ²	AWG#	
TJC25415	0.08 ~ 0.2	28 ~ 24	1.2 ~ 1.9
材质·表面处理 Material and Finish			
磷青铜 Phos · bronze Tin · Plated			

阴连接器 HOUSING



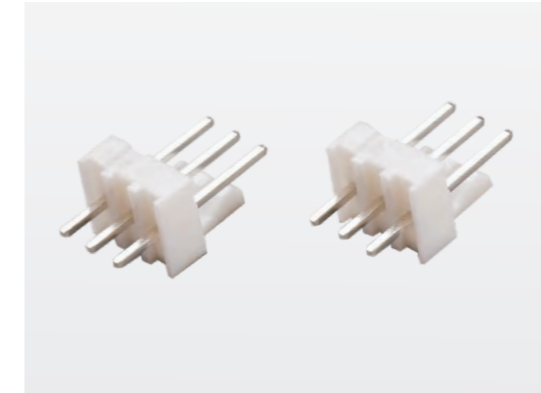
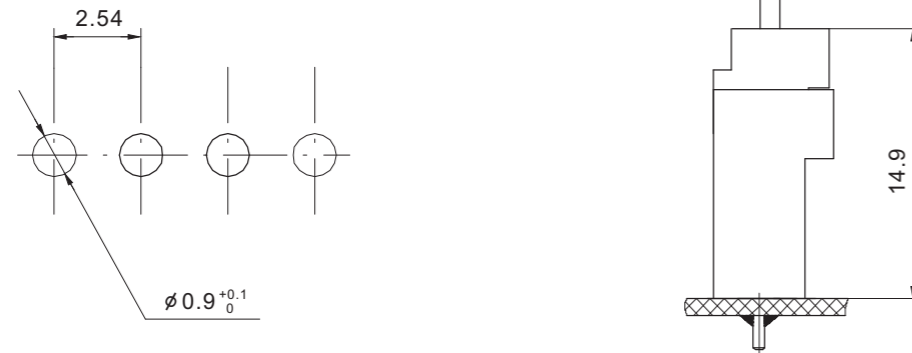
线数Poles	型号Type	尺寸Dimensions(mm)	
		A	B
2	TJC25415-2Y	5.19	2.54
4	TJC25415-4Y	10.27	7.62
材质·表面处理 Material and finish			
PA66 UL94V-0 · Black			

阳连接器 (直式) WAFER (180°)



线数Poles	型号Type	尺寸Dimensions(mm)	
		A	B
2	TJC25415-2A	7.62	2.54
4	TJC25415-4A	12.7	7.62
材质·表面处理 Material and finish			
PA66 UL94V-0 · Black		Brass Tin · plated	

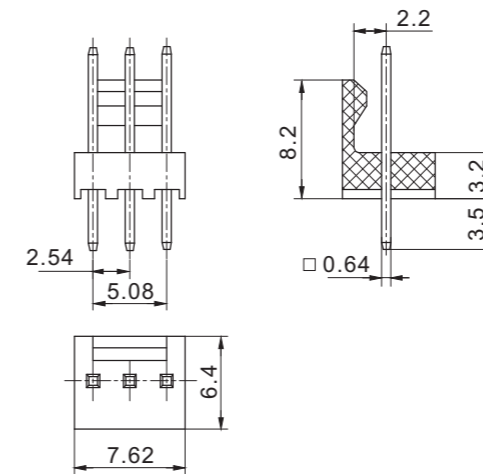
安装尺寸 MOUNTING MEASUREMENT



技术参数 (SPECIFICATIONS)

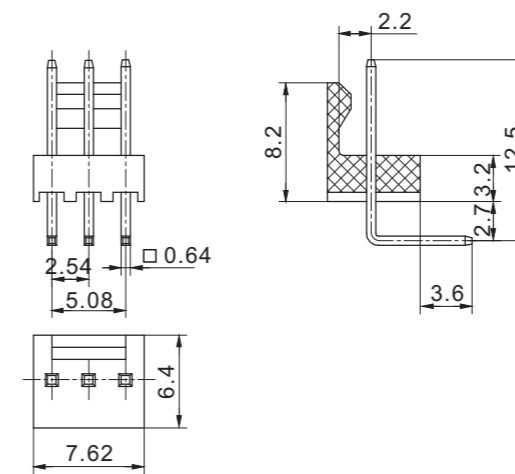
适应基板厚度 (Applicable PC board thickness) :
1.2mm~1.6mm
温度范围 (Temperature range) : -25℃~85℃
额定电压 (Voltage rating) : 250V AC/DC
额定电流 (Current rating) : 2A
接触电阻 (Contact resistance) : $\leq 0.01\Omega$
绝缘电阻 (Insulation resistance) : $\geq 1000M\Omega$
耐压 (Withstand voltage) : 800V AC/minute

阳连接器 (直式) WAFER (180°)



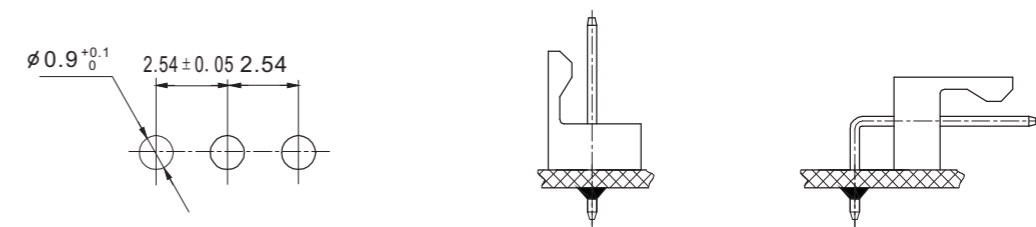
线数Poles	型号Type
3	TJC25429-3A
材质·表面处理 Material and finish	
PA66 UL94V-0 · nature; 黄铜 镀锡 Brass Tin · Plated	

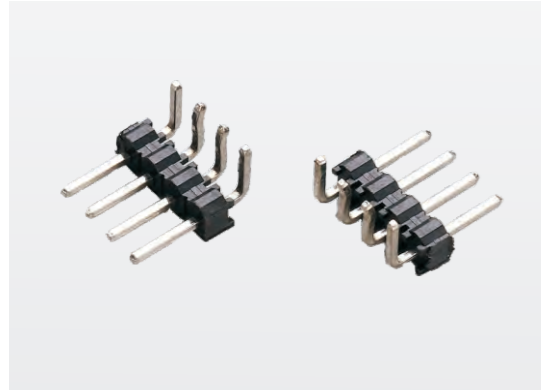
阳连接器 (弯式) WAFER (90°)



线数Poles	型号Type
3	TJC25429-3AW
材质·表面处理 Material and finish	
PA66 UL94V-0 · nature; 黄铜 镀锡 Brass Tin · Plated	

安装尺寸 MOUNTING MEASUREMENT

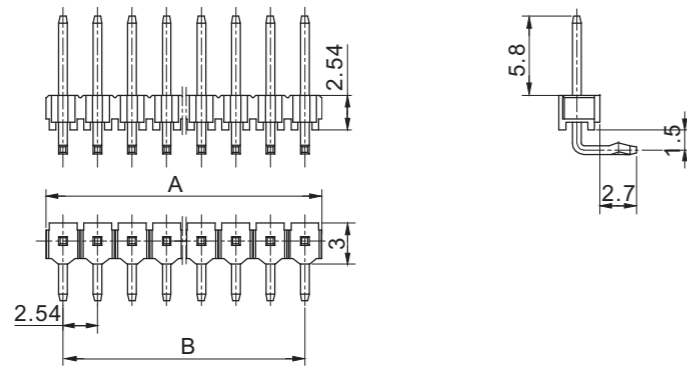




技术参数 (SPECIFICATIONS)

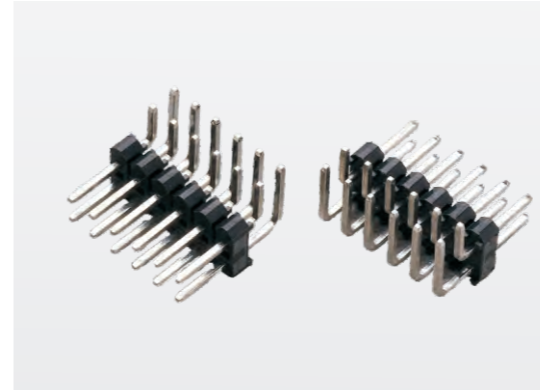
适应基板厚度 (Applicable PC board thickness) :
1.2mm~1.6mm
温度范围 (Temperature range) : -25°C~85°C
额定电压 (Voltage rating) : 250V AC/DC
额定电流 (Current rating) : 2A
接触电阻 (Contact resistance) : $\leq 0.01\Omega$
绝缘电阻 (Insulation resistance) : $\geq 1000M\Omega$
耐压 (Withstand voltage) : 800V AC/mintue

阳连接器 (弯式)WAFER (90°)



线数 Poles	型号 Type 弯式(90°)	尺寸Dimensions(mm)		线数 Poles	型号 Type 弯式(90°)	尺寸Dimensions(mm)		线数 Poles	型号 Type 弯式(90°)	尺寸Dimensions(mm)	
		A	B			A	B			A	B
1	TJC25430-1A	2.54	—	15	TJC25430-15A	38.10	35.56	29	TJC25430-29A	73.66	71.12
2	TJC25430-2A	5.08	2.54	16	TJC25430-16A	40.64	38.10	30	TJC25430-30A	76.20	73.66
3	TJC25430-3A	7.62	5.08	17	TJC25430-17A	43.18	40.64	31	TJC25430-31A	78.74	76.20
4	TJC25430-4A	10.16	7.62	18	TJC25430-18A	45.72	43.18	32	TJC25430-32A	81.28	78.74
5	TJC25430-5A	12.70	10.16	19	TJC25430-19A	48.26	45.72	33	TJC25430-33A	84.82	81.28
6	TJC25430-6A	15.24	12.70	20	TJC25430-20A	50.80	48.26	34	TJC25430-34A	86.36	84.82
7	TJC25430-7A	17.78	15.24	21	TJC25430-21A	53.34	50.80	35	TJC25430-35A	88.90	86.36
8	TJC25430-8A	20.32	17.78	22	TJC25430-22A	55.88	53.34	36	TJC25430-36A	91.44	88.90
9	TJC25430-9A	22.86	20.32	23	TJC25430-23A	58.42	55.88	37	TJC25430-37A	93.98	91.44
10	TJC25430-10A	25.40	22.86	24	TJC25430-24A	60.96	58.42	38	TJC25430-38A	96.52	93.98
11	TJC25430-11A	27.94	25.40	25	TJC25430-25A	63.50	60.96	39	TJC25430-39A	99.06	96.52
12	TJC25430-12A	30.48	27.94	26	TJC25430-26A	66.04	63.50	40	TJC25430-40A	101.60	99.06
13	TJC25430-13A	33.02	30.48	27	TJC25430-27A	68.58	66.04				
14	TJC25430-14A	35.56	33.02	28	TJC25430-28A	71.12	68.58				
材质·表面处理 Material and Finish				PA66 UL94V-0 · Black; 黄铜 镀锡 Brass Tin · Plated							

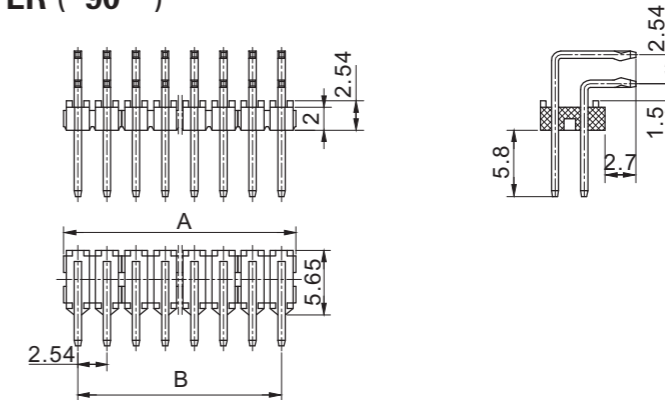
安装尺寸 MOUNTNG MEASUREMENT



技术参数 (SPECIFICATIONS)

适应基板厚度 (Applicable PC board thickness) :
1.2mm~1.6mm
温度范围 (Temperature range) : -25°C~85°C
额定电压 (Voltage rating) : 250V AC/DC
额定电流 (Current rating) : 2A
接触电阻 (Contact resistance) : $\leq 0.01\Omega$
绝缘电阻 (Insulation resistance) : $\geq 1000M\Omega$
耐压 (Withstand voltage) : 800V AC/mintue

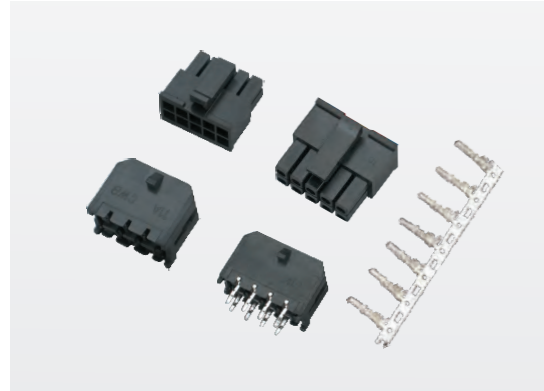
阳连接器 (弯式)WAFER (90°)



线数 Poles	型号 Type 弯式(90°)	尺寸Dimensions (mm)		线数 Poles	型号 Type 弯式(90°)	尺寸Dimensions (mm)		线数 Poles	型号 Type 弯式(90°)	尺寸Dimensions (mm)	
		A	B			A	B			A	B
2	TJC25431-2X1A	2.54	—	24	TJC25431-2X12A	30.48	27.94	46	TJC25431-2X23A	58.42	55.88
4	TJC25431-2X2A	5.08	2.54	26	TJC25431-2X13A	33.02	30.48	48	TJC25431-2X24A	60.96	58.42
6	TJC25431-2X3A	7.62	5.08	28	TJC25431-2X14A	35.56	33.02	50	TJC25431-2X25A	63.50	60.96
8	TJC25431-2X4A	10.16	7.62	30	TJC25431-2X15A	38.10	35.56	52	TJC25431-2X26A	66.04	63.50
10	TJC25431-2X5A	12.70	10.16	32	TJC25431-2X16A	40.64	38.10	54	TJC25431-2X27A	68.58	66.04
12	TJC25431-2X6A	15.24	12.70	34	TJC25431-2X17A	43.18	40.64	56	TJC25431-2X28A	71.12	68.58
14	TJC25431-2X7A	17.78	15.24	36	TJC25431-2X18A	45.72	43.18	58	TJC25431-2X29A	73.66	71.12
16	TJC25431-2X8A	20.32	17.78	38	TJC25431-2X19A	48.26	45.72	60	TJC25431-2X30A	76.20	73.66
18	TJC25431-2X9A	22.86	20.32	40	TJC25431-2X20A	50.80	48.26	62	TJC25431-2X31A	78.74	76.20
20	TJC25431-2X10A	25.40	22.86	42	TJC25431-2X21A	53.34	50.80	64	TJC25431-2X32A	81.28	78.74
22	TJC25431-2X11A	27.94	25.40	44	TJC25431-2X22A	55.88	53.34				
材质·表面处理 Material and Finish				PA66 UL94V-0 · Black; 黄铜 镀锡 Brass Tin · Plated							

安装尺寸 MOUNTNG MEASUREMENT

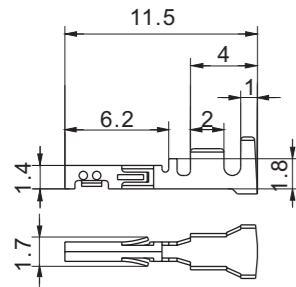




技术参数 (SPECIFICATIONS)

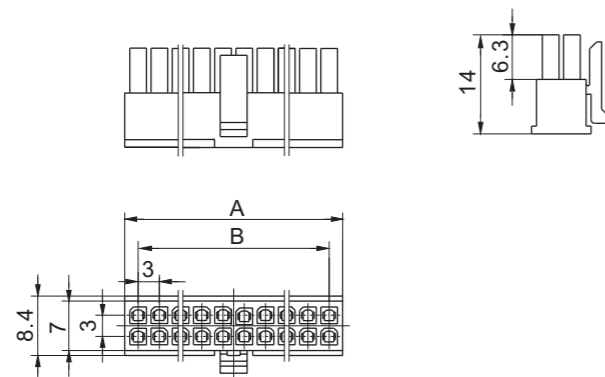
适用线规 (Applicable wires) : AWG22#~18#
 适应基板厚度 (Applicable PC board thickness) : 1.6mm
 温度范围 (Temprature range) : -25°C~85°C
 额定电压 (Voltage rating) : 250V AC/DC
 额定电流 (Current rating) : 3A
 接触电阻 (Contact resistance) : $\leq 0.02\Omega$
 绝缘电阻 (Insulation resistance) : $\geq 1000M\Omega$
 耐压 (Withstand voltage) : 1000V AC/minute

端子 TERMINAL



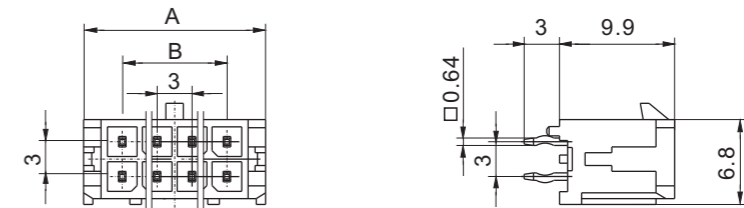
型号 Type	适用导线范围 Wire Range		导线外径 Wire ins.Dis
	mm ²	AWG#	
TJC3001	0.33 ~ 0.83	22 ~ 18	1.5~2.2
材质 · 表面处理 Material and Finish			
磷青铜 Phos · bronze Tin · Plated			

阴连接器 HOUSING

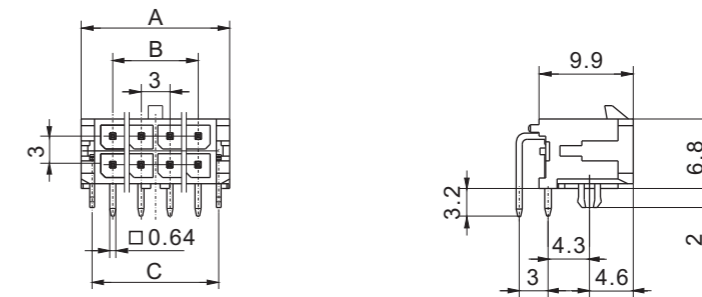


线数 Poles	型号 Type	尺寸Dimensions(mm)		线数 Poles	型号 Type	尺寸Dimensions(mm)	
		A	B			A	B
4	TJC3001-4Y	6.8	3.0	16	TJC3001-16Y	24.8	21.0
6	TJC3001-6Y	9.8	6.0	18	TJC3001-18Y	27.8	24.0
8	TJC3001-8Y	12.8	9.0	20	TJC3001-20Y	30.8	27.0
10	TJC3001-10Y	15.8	12.0	22	TJC3001-22Y	33.8	30.0
12	TJC3001-12Y	18.8	15.0	24	TJC3001-24Y	36.8	33.0
14	TJC3001-14Y	21.8	18.0				
材质 · 表面处理 Material and Finish				PA66 UL94V-0 · Black			

阳连接器 (直式) WAFER (180°)

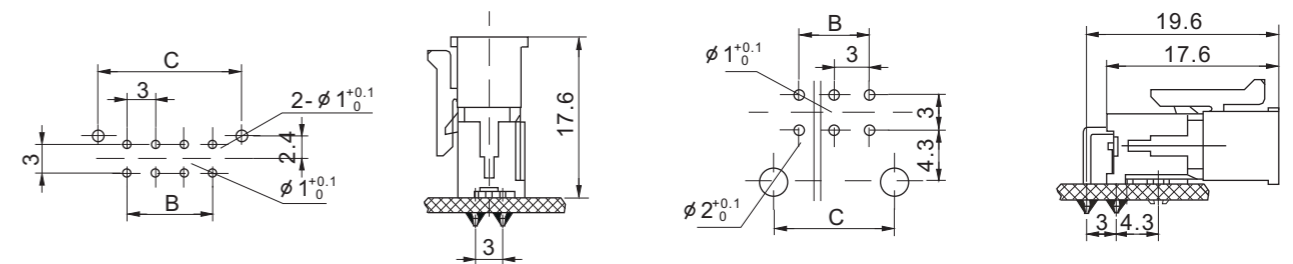


阳连接器 (弯式) WAFER (90°)



线数 Poles	型号 Type		尺寸Dimensions(mm)			线数 Poles	型号 Type		尺寸Dimensions(mm)		
	直式 (180°)	弯式 (90°)	A	B	C		直式 (180°)	弯式 (90°)	A	B	C
4	TJC3001-4A	TJC3001-4AW	9.65	3.0	7.3	16	TJC3001-16A	TJC3001-16AW	27.65	21.0	25.3
6	TJC3001-6A	TJC3001-6AW	12.65	6.0	10.3	18	TJC3001-18A	TJC3001-18AW	30.65	24.0	28.3
8	TJC3001-8A	TJC3001-8AW	15.65	9.0	13.2	20	TJC3001-20A	TJC3001-20AW	33.65	27.0	31.3
10	TJC3001-10A	TJC3001-10AW	18.65	12.0	16.3	22	TJC3001-22A	TJC3001-22AW	36.65	30.0	34.3
12	TJC3001-12A	TJC3001-12AW	21.65	15.0	19.3	24	TJC3001-24A	TJC3001-24AW	39.65	33.0	37.3
14	TJC3001-14A	TJC3001-14AW	24.65	18.0	22.3						
材质 · 表面处理 Material and Finish				PA66 UL94V-0 · Black ; 黄铜 镀锡 Brass Tin · Plated							

安装尺寸 MOUNTING MEASUREMENT

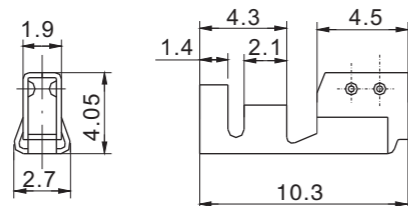




技术参数 (SPECIFICATIONS)

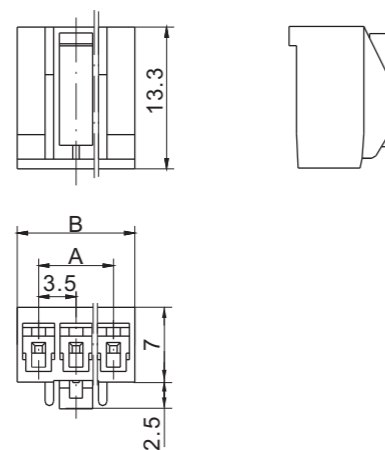
适用线规 (Applicable wires) : AWG26#~20#
 适应基板厚度 (Applicable PC board thickness) : 1.6mm
 温度范围 (Temprature range) : -25℃~85℃
 额定电压 (Voltage rating) : 250V AC/DC
 额定电流 (Current rating) : 3A
 接触电阻 (Contact resistance) : ≤0.02Ω
 绝缘电阻 (Insulation resistance) : ≥1000MΩ
 耐压 (Withstand voltage) : 1000V AC/minute

端子 TERMINAL



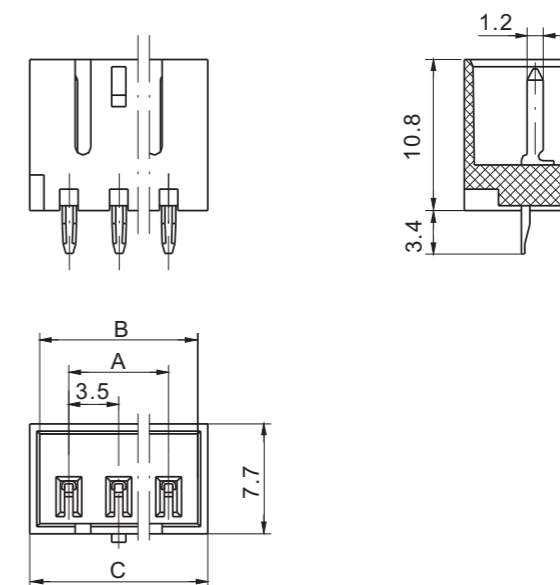
型号 Type	适用导线范围 Wire Range		导线外径 Wire ins.Dis
	mm ²	AWG#	
WH	0.13 ~ 0.53	26 ~ 20	1.3~2.7
材质 · 表面处理 Material and Finish			
磷青铜 Phos · bronze Tin · Plated			

阴连接器 HOUSING



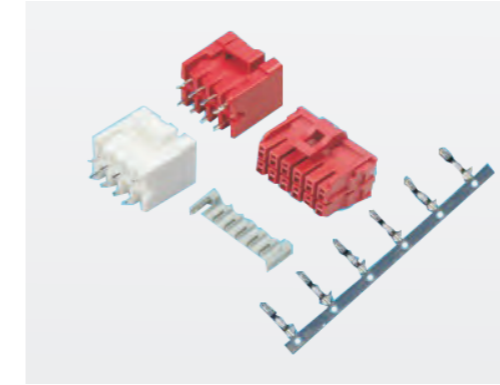
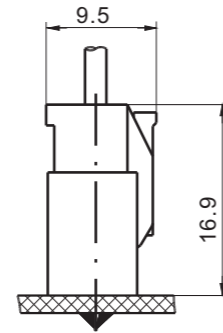
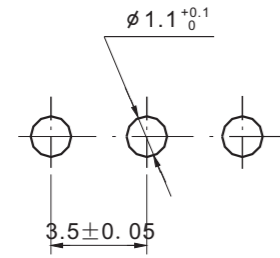
线数 Poles	型号 Type	尺寸 Dimensions(mm)		线数 Poles	型号 Type	尺寸 Dimensions(mm)	
		A	B			A	B
2	WH-2Y	3.5	7.5	9	WH-9Y	28.0	32.0
3	WH-3Y	7.0	11.0	10	WH-10Y	31.5	35.5
4	WH-4Y	10.5	14.5	11	WH-11Y	35.0	39.0
5	WH-5Y	14.0	18.0	12	WH-12Y	38.5	42.5
6	WH-6Y	17.5	21.5	13	WH-13Y	42.0	46.0
7	WH-7Y	21.0	25.0	14	WH-14Y	45.5	49.5
8	WH-8Y	24.5	28.5				
材质 · 表面处理 Material and Finish						PA66 UL94V-0 · White	

阳连接器 WAFER



线数 Poles	型号 Type	尺寸 Dimensions(mm)			线数 Poles	型号 Type	尺寸 Dimensions(mm)		
		A	B	C			A	B	C
2	WH-2A	3.5	7.6	9.0	9	WH-9A	28.0	32.1	33.5
3	WH-3A	7.0	11.1	12.5	10	WH-10A	31.5	35.6	37.0
4	WH-4A	10.5	14.6	16.0	11	WH-11A	35.0	39.1	40.5
5	WH-5A	14.0	18.1	19.5	12	WH-12A	38.5	42.6	44.0
6	WH-6A	17.5	21.6	23.0	13	WH-13A	42.0	46.1	47.5
7	WH-7A	21.0	25.1	26.5	14	WH-14A	45.5	49.6	51.0
8	WH-8A	24.5	28.6	30.0					
材质 · 表面处理 Material and Finish						PA66 UL94V-0 · White;Brass Tin · plated			

安装尺寸 MOUNTING MEASUREMENT



技术参数 (SPECIFICATIONS)

适用线规 (Applicable wires) :

插簧类型	芯线截面积 mm ²	绝缘皮外径 mm
CH-TJC35006-A/B	0.2~0.3	φ1.45~φ2.5
CH-TJC35006-A5/B5	0.5	φ1.45~φ2.5

适应基板厚度 (Applicable PC board thickness) : 1.6 mm

温度范围 (Temperature range) : -40°C~+105°C


额定电压 (Voltage rating) : 5V ~ 250V AC/DC

额定电流 (Current rating) : 1mA ~ 5A

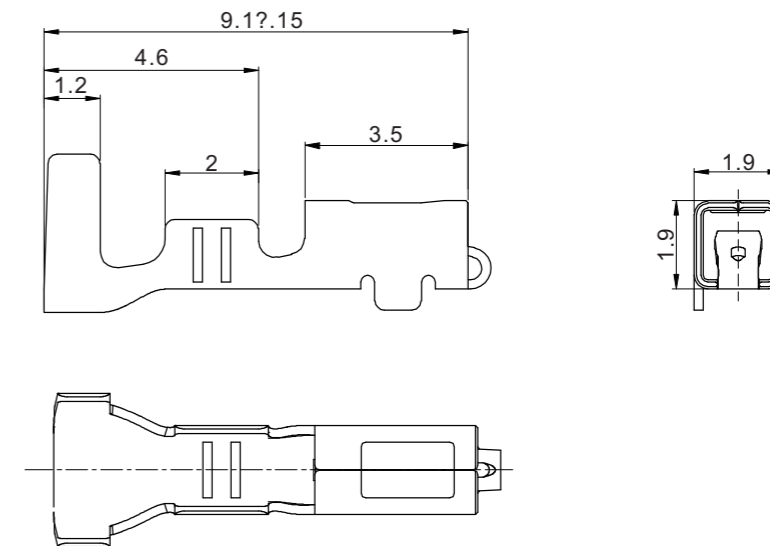
接触电阻 (Contact resistance) : ≤0.01Ω

绝缘电阻 (Insulation resistance) : ≥1000MΩ

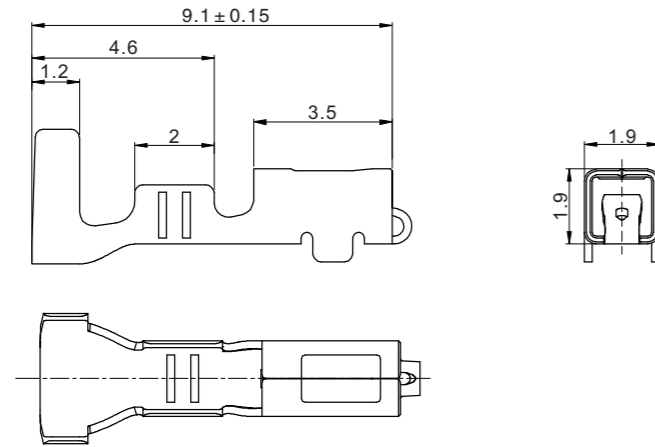
耐压 (Withstand voltage) : 1500V AC/minute

认证 (STANDARDS) :  E200881

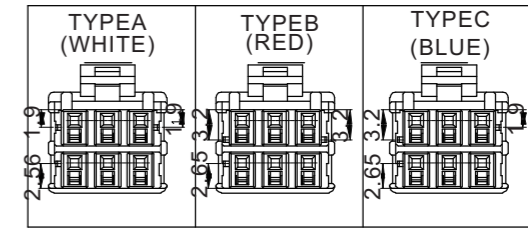
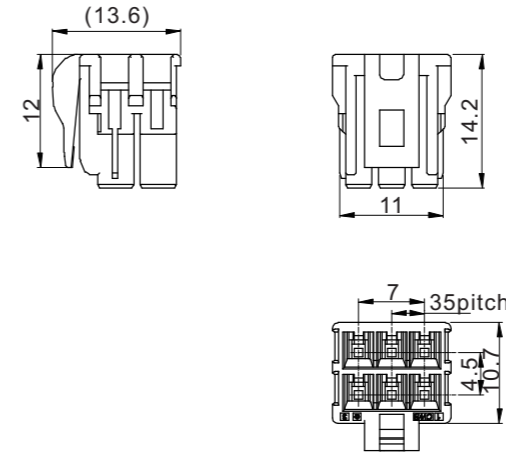
端子 Contact



型号 Type	适用导线范围 Wire Range	
	mm ²	线型 Wire Type
CH-TJC35006-A	0.3	UL1007 AWG24#/AVR-90
CH-TJC35006-A5	0.5	RV-90
材质·表面处理 Material and Finish		
磷青铜 Phos·bronze Tin·Plating		

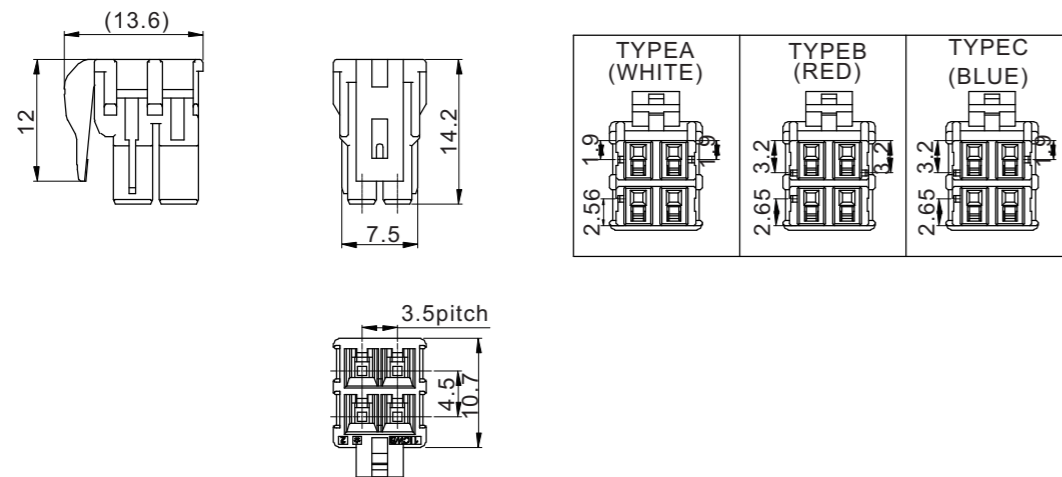


型号 Type	适用导线范围 Wire Range	
	mm ²	线型 Wire Type
CH-TJC35006-B	0.3	UL1007 AWG24#/AVR-90
CH-TJC35006-B5	0.5	RV-90
材质·表面处理 Material and Finish		
磷青铜 Phos·bronze Tin·Plating		

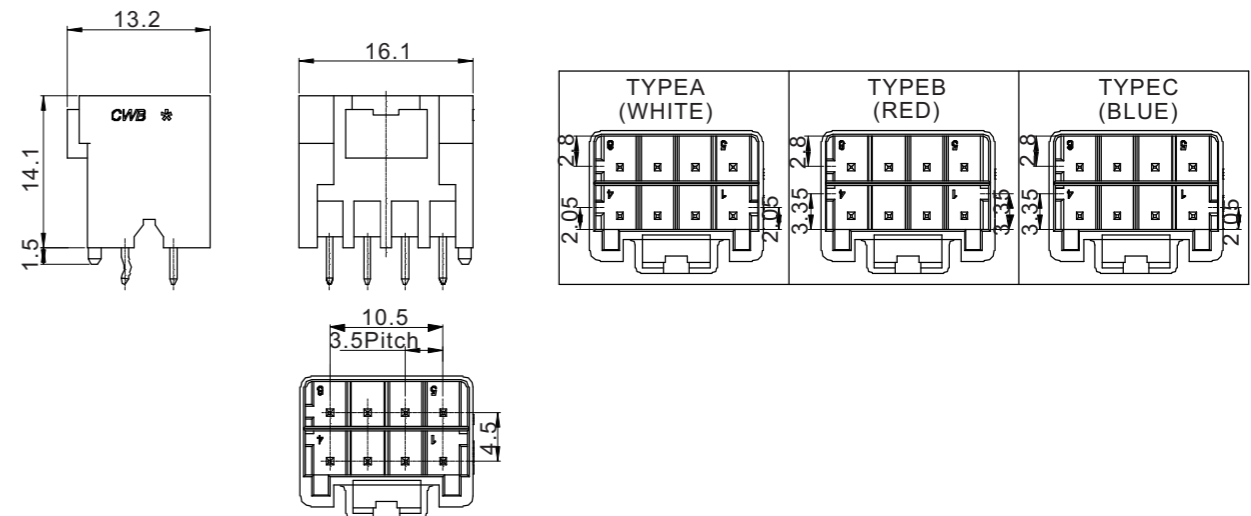


线数 Poles	型号 Type
3	TJC35006-2*3Y
材质·表面处理 Material and Finish PBT UL94V-0	

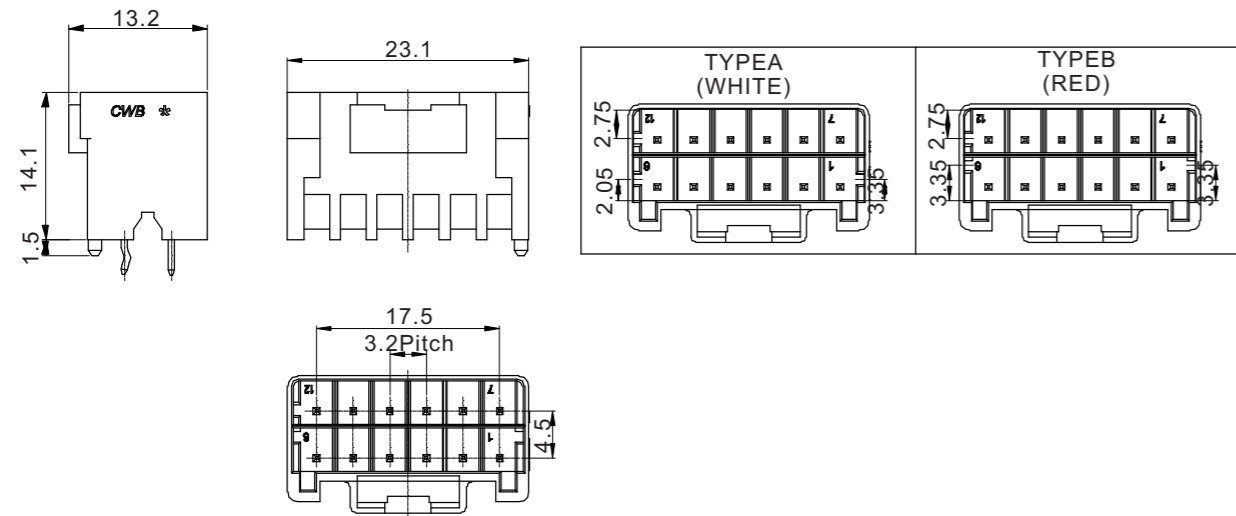
阴连接器 Housing



线数 Poles	型号 Type
2	TJC35006-2*2Y
材质·表面处理 Material and Finish PBT UL94V-0	

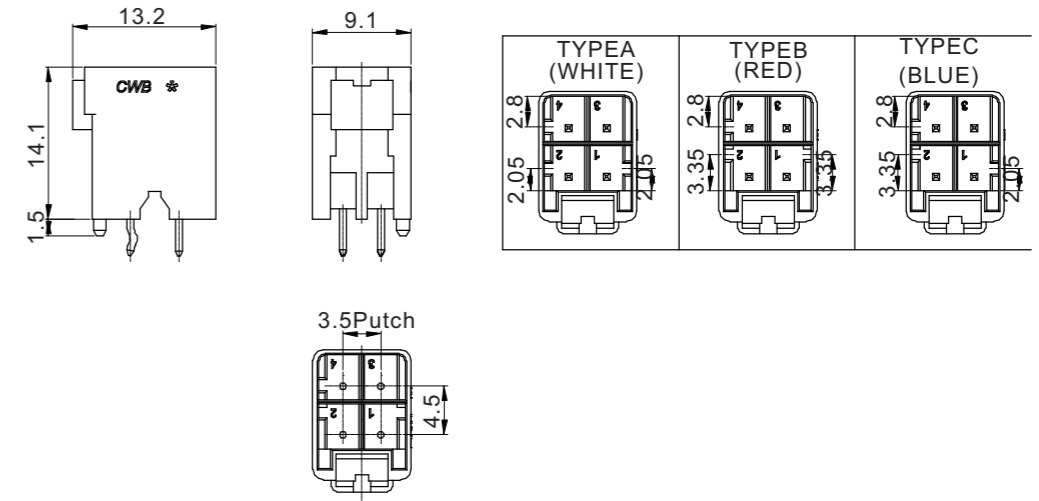


线数 Poles	型号 Type
4	TJC35006-2*4Y
材质·表面处理 Material and Finish PBT UL94V-0	



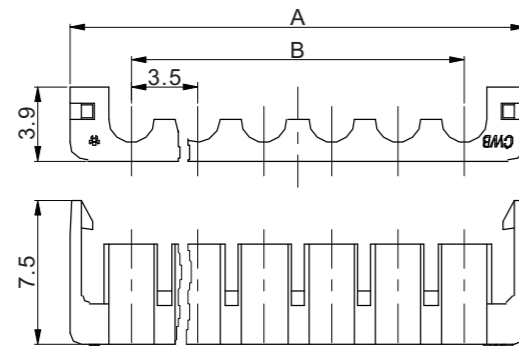
线数 Poles	型号 Type
6	TJC35006-2*6Y
材质·表面处理 Material and Finish PBT UL94V-0	

阳连接器 Wafer

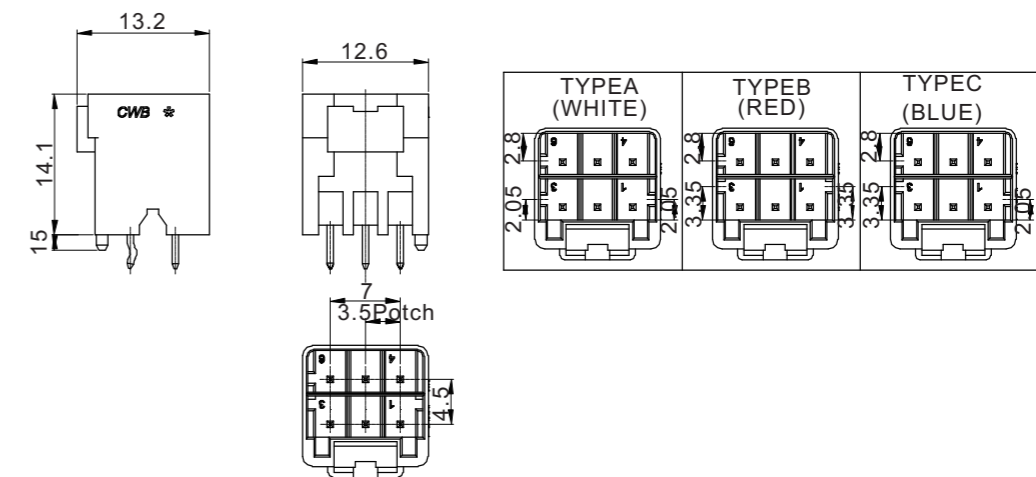


线数 Poles	型号 Type
2	TJC35006-2*2AD
材质·表面处理 Material and Finish PBT UL94V-0 黄铜 镀锡 Brass Tin · Plated	

锁紧片 Lock plate

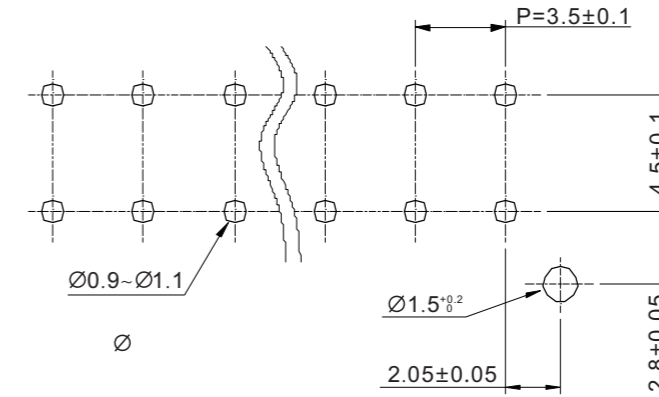
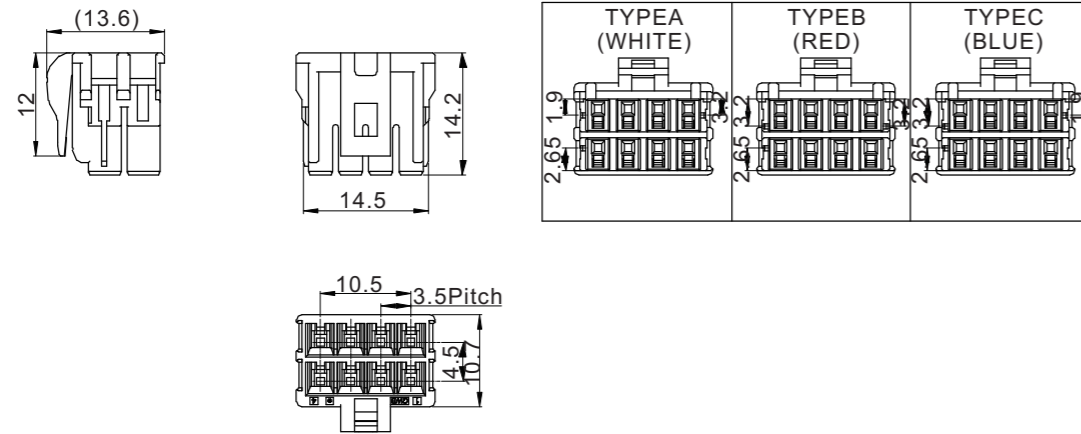


线数 Poles	型号 Type	尺寸 Dimensions (mm)	
		A	B
2	TJC35006-2YS	8.7	3.5
3	TJC35006-3YS	12.2	7.0
4	TJC35006-4YS	15.7	10.5
6	TJC35006-5YS	22.7	17.5
材质·表面处理 Material and Finish PBT UL94V-0 · GRAY			



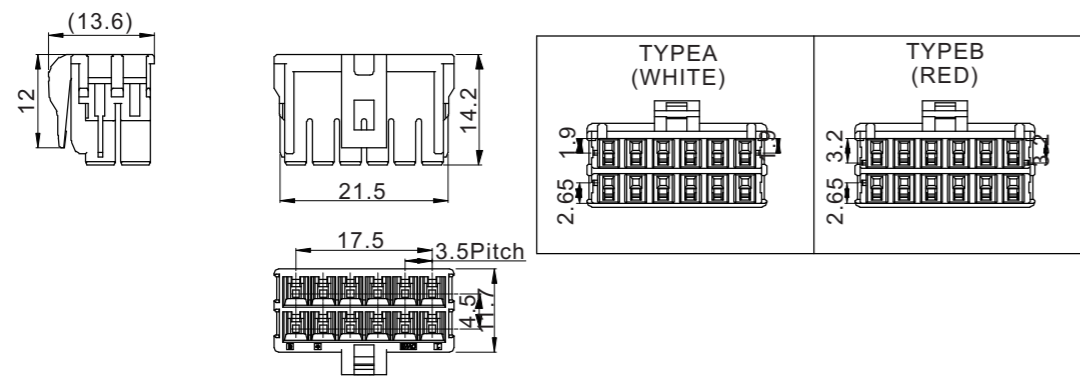
线数 Poles	型号 Type
3	TJC35006-2*3AD
材质·表面处理 Material and Finish PBT UL94V-0 黄铜 镀锡 Brass Tin · Plated	

安装尺寸 MOUNTING MEASUREMENT

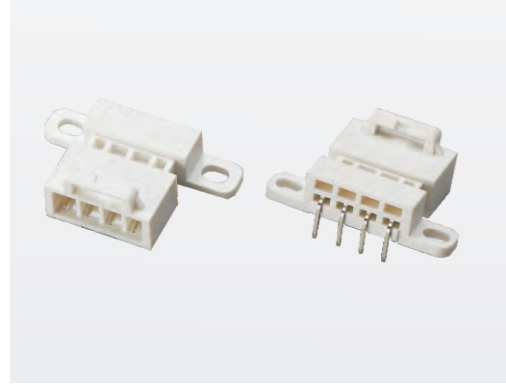


PCB LAYOUT

线数 Poles	型号 Type
4	TJC35006-2*4AD
材质·表面处理 Material and Finish PBT UL94V-0 黄铜 镀锡 Brass Tin·Plated	

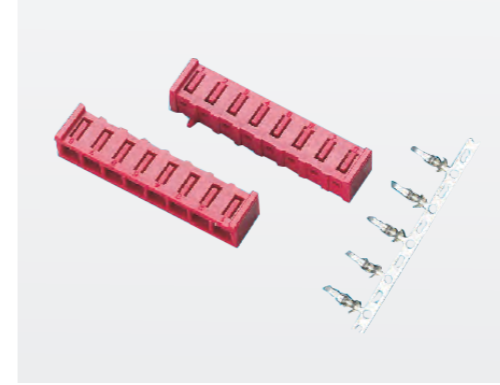


线数 Poles	型号 Type
6	TJC35006-2*6AD
材质·表面处理 Material and Finish PBT UL94V-0 黄铜 镀锡 Brass Tin·Plated	



技术参数 (SPECIFICATIONS)

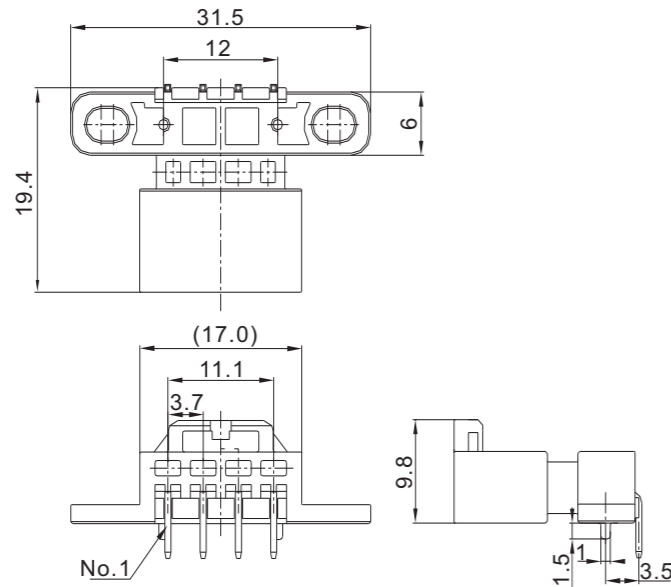
温度范围 (Temperature range) : -25℃~+85℃
 额定电压 (Voltage rating) : 250V AC/DC
 额定电流 (Current rating) : 3A
 接触电阻 (Contact resistance) : ≤0.02Ω
 绝缘电阻 (Insulation resistance) : ≥500MΩ
 耐压 (Withstand voltage) : 1000V AC/minute



技术参数 (SPECIFICATIONS)

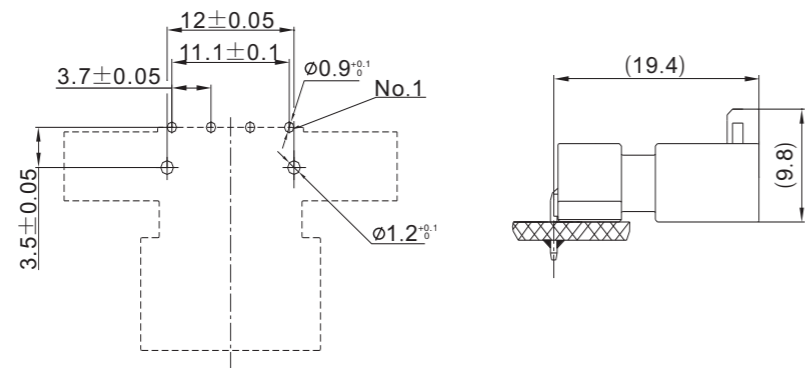
适用线规 (Applicable wires) : AWG22#~18#
 温度范围 (Temperature range) : -25℃~85℃
 额定电压 (Voltage rating) : 250V AC/DC
 额定电流 (Current rating) : 7A
 绝缘电阻 (Insulation resistance) : ≥1000MΩ
 耐压 (Withstand voltage) : 1500V AC/minute

阳连接器 Header

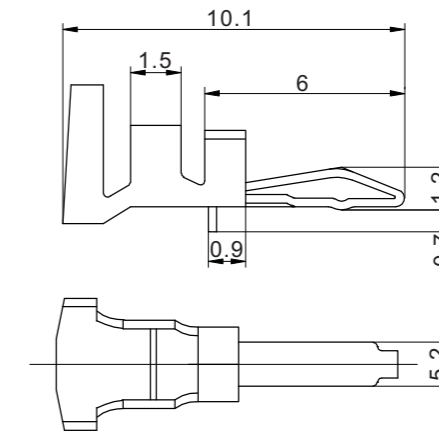


线数 Poles	型号 Type
4	CJ-CA509
材质·表面处理 Material and Finish PBT UL94V-0 黄铜 镀锡 Brass Tin·Plating	

安装尺寸 MOUNTING MEASUREMENT

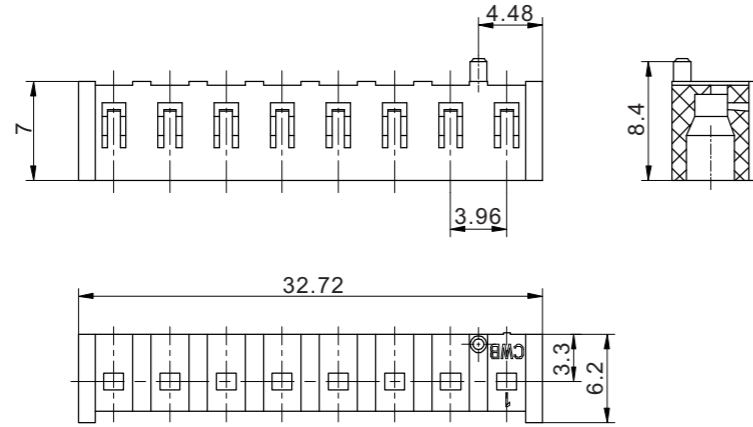


端子 TERMINAL



型号 Type	适用导线范围 Wire Range		导线外径 Wire ins.Dis
	mm ²	AWG#	
SDN	0.3256~0.8226	AWG22#~18#	1.6 ~ 2.05
材质·表面处理 Material and Finish			
磷青铜 Phos·bronze Tin·Plated			


阳连接器 HOUSING



线数 Poles	型号 Type
8	SDN-8A
材质 · 表面处理 Material and Finish PA66 UL94V-2 · White	

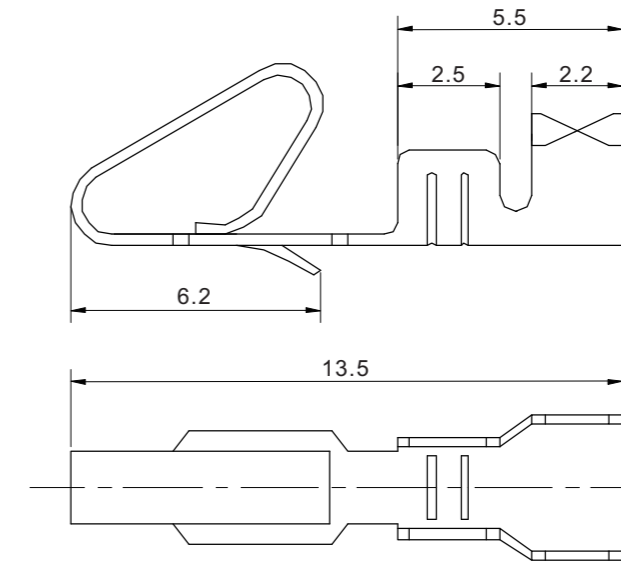
技术参数 (SPECIFICATIONS)

适用线规 (Applicable wires) : AWG22#~18#
 适应基板厚度 (Applicable PC board thickness) : 1.2~1.6mm
 温度范围 (Temperature range) : -25°C ~ +85°C
 额定电压 (Voltage rating) : 250V AC/DC
 额定电流 (Current rating) : 5A
 接触电阻 (Contact resistance) : $\leq 0.01\Omega$
 绝缘电阻 (Insulation resistance) : $\geq 1000M\Omega$
 耐压 (Withstand voltage) : 1500V AC/minute

认证 (STANDARDS) :  E200881

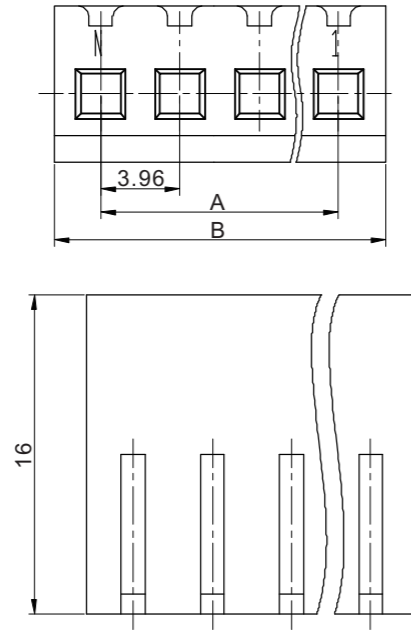


端子 TERMINAL



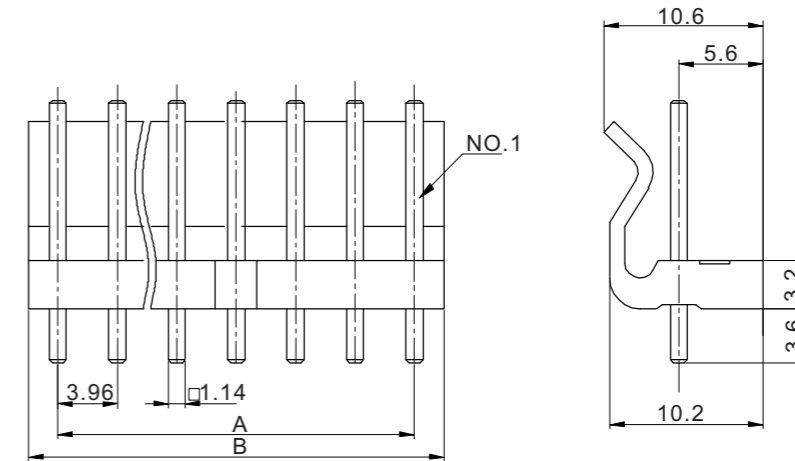
型号 Type	适用导线范围 Wire Range		导线外径 Wire ins.Dis
	mm ²	AWG#	
TJC6	0.3 ~ 0.8	22 ~ 18	1.6 ~ 2.05
材质 · 表面处理 Material and Finish			
磷青铜 Phos · bronze Tin · Plated			

阴连接器 HOUSIN



线数 Poles	型号 Type	尺寸 Dimensions (mm)		线数 Poles	型号 Type	尺寸 Dimensions (mm)	
		A	B			A	B
2	TJC6-2Y	3.96	8.66	9	TJC6-9Y	31.68	36.52
3	TJC6-3Y	7.92	12.62	10	TJC6-10Y	35.64	40.48
4	TJC6-4Y	11.88	16.58	11	TJC6-11Y	39.60	44.44
5	TJC6-5Y	15.84	20.54	12	TJC6-12Y	43.56	48.40
6	TJC6-6Y	19.80	24.50	13	TJC6-13Y	47.52	52.36
7	TJC6-7Y	23.76	28.46	14	TJC6-14Y	51.48	56.32
8	TJC6-8Y	27.72	32.56	15	TJC6-15Y	55.44	60.28
材质 · 表面处理 Material and Finish				PA66 UL94V_2 · White PA66 UL94V_0 · White			

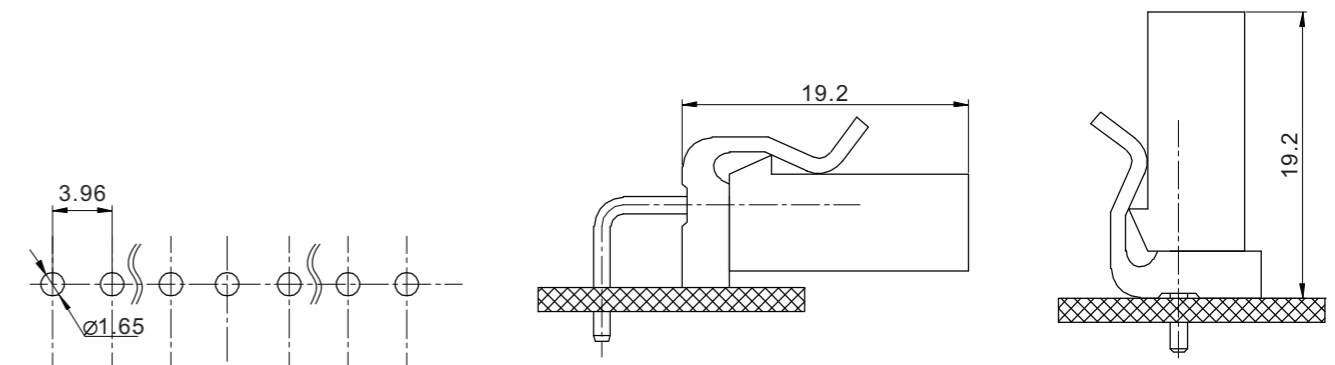
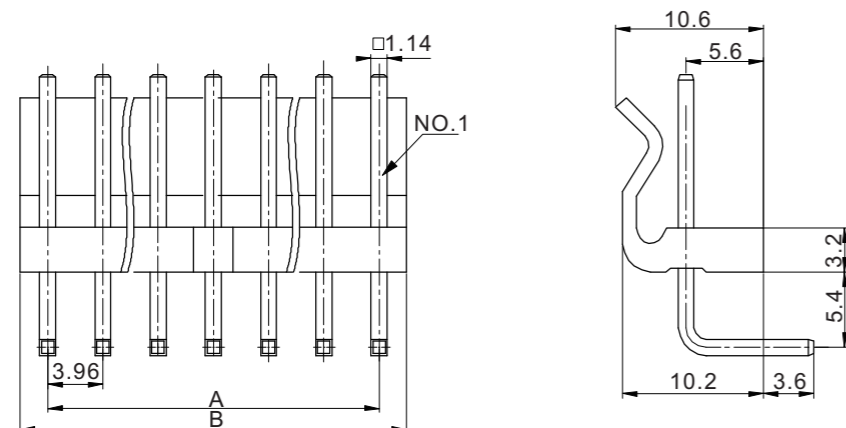
阳连接器 (弯式) WAFER (90°)



线数 Poles	型号 Type		尺寸 Dimensions (mm)		线数 Poles	型号 Type		尺寸 Dimensions (mm)	
	直式 (180°)	弯式 (90°)	A	B		直式 (180°)	弯式 (90°)	A	B
2	TJC6-2A	TJC6-2AW	3.96	7.92	9	TJC6-9A	TJC6-9AW	31.68	35.64
3	TJC6-3A	TJC6-3AW	7.92	11.88	10	TJC6-10A	TJC6-10AW	35.64	39.60
4	TJC6-4A	TJC6-4AW	11.88	15.84	11	TJC6-11A	TJC6-11AW	39.60	43.56
5	TJC6-5A	TJC6-5AW	15.84	19.80	12	TJC6-12A	TJC6-12AW	43.56	47.52
6	TJC6-6A	TJC6-6AW	19.80	23.76	13	TJC6-13A	TJC6-13AW	47.52	51.48
7	TJC6-7A	TJC6-7AW	23.76	27.72	14	TJC6-14A	TJC6-14AW	51.48	55.44
8	TJC6-8A	TJC6-8AW	27.72	31.68	15	TJC6-15A	TJC6-15AW	55.44	59.40
材质 · 表面处理 Material and Finish				PA66 UL94V_0 · White; 黄铜 镀锡 Brass Tin · Plated PA66 UL94V_0 · White; 黄铜 镀锡 Brass Tin · Plated					

安装尺寸 MOUNTING MEASUREMENT

阳连接器 (直式) WAFER (180°)

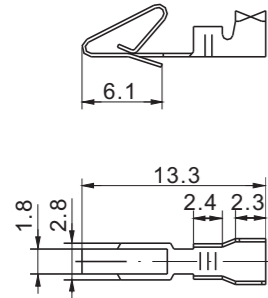




技术参数 (SPECIFICATIONS)

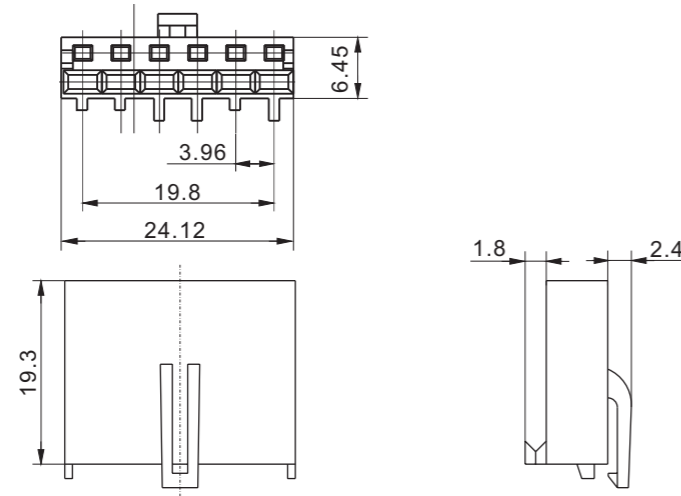
适用线规 (Applicable wires) : AWG22#~18#
 适应基板厚度 (Applicable PC board thickness) : 1.6mm
 温度范围 (Temprature range) : -25℃~85℃
 额定电压 (Voltage rating) : 250V AC/DC
 额定电流 (Current rating) : 5A
 接触电阻 (Contact resistance) : $\leq 0.01\Omega$
 绝缘电阻 (Insulation resistance) : $\geq 1000M\Omega$
 耐压 (Withstand voltage) : 1500V AC/minute

端子 TERMINAL



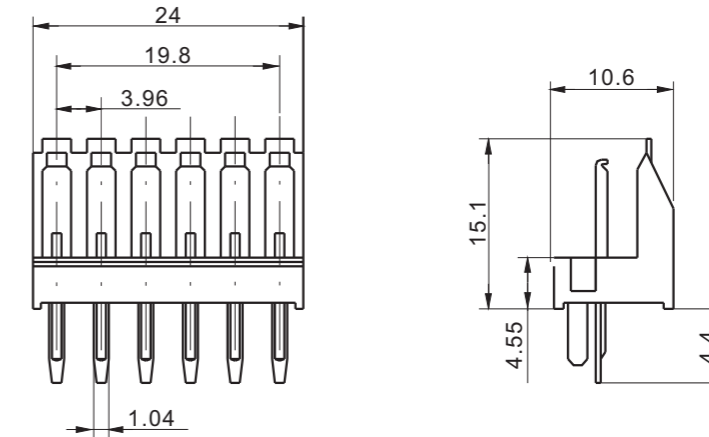
型号 Type	适用导线范围 Wire Range		导线外径 Wire ins.Dis
	mm ²	AWG#	
TJC7	0.33 ~ 0.83	22 ~ 18	1.7~3.0
材质·表面处理 Material and Finish			
磷青铜 Phos·bronze Tin·Plated			

阴连接器 HOUSING



线数 Poles	型号 Type
6	TJC7-6Y
材质·表面处理 Material and Finish	
PA66 UL94V-0 · White	

阳连接器 WAFER



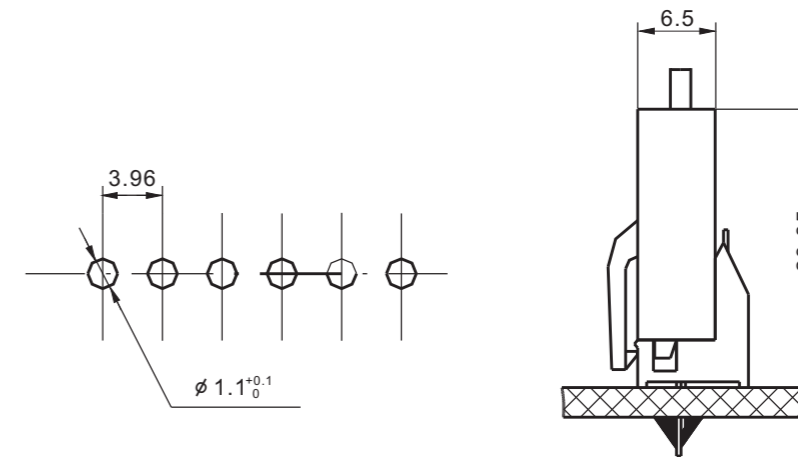
线数 Poles
6
6

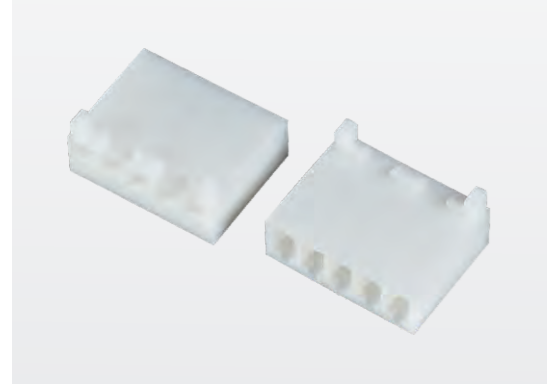
型号
Type
TJC7-6A(P8)
TJC7-6A(P9)

材质·表面处理 Material and Finish

PA66 UL94V-0 · White; 黄铜 镀锡

安装尺寸 MOUNTING MEASUREMENT

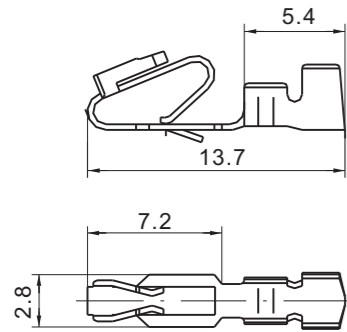




技术参数 (SPECIFICATIONS)

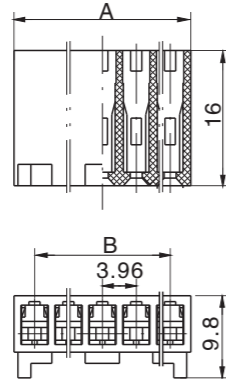
温度范围 (Temprature range) : -25°C~85°C
 适用线规 (Applicable wires) : AWG22#~18#
 额定电压 (Voltage rating) : 250V AC/DC
 额定电流 (Current rating) : 3A
 接触电阻 (Contact resistance) : ≤0.01Ω
 绝缘电阻 (Insulation resistance) : ≥1000MΩ
 耐压 (Withstand voltage) : 1000V AC/minute

端子 TERMINAL



型号 Type	适用导线范围 Wire Range		导线外径 Wire ins.Dis
	mm ²	AWG#	
TJC3961	0.33 ~ 0.83	22 ~ 18	1.7~3.0
材质·表面处理 Material and Finish			
磷青铜 Phos·bronze Tin·Plated			

阴连接器 HOUSING



线数 Poles	型号 Type	尺寸 Dimensions(mm)		线数 Poles	型号 Type	尺寸 Dimensions(mm)	
		A	B			A	B
4	TJC3961-4Y	16.7	11.88	12	TJC3961-12Y	48.4	43.56
5	TJC3961-5Y	20.7	15.84	13	TJC3961-13Y	52.4	47.52
6	TJC3961-6Y	24.6	19.80	14	TJC3961-14Y	56.3	51.48
7	TJC3961-7Y	28.6	23.76	15	TJC3961-15Y	60.3	55.44
8	TJC3961-8Y	32.6	27.72	16	TJC3961-16Y	64.3	59.40
9	TJC3961-9Y	36.5	31.68	17	TJC3961-17Y	68.2	63.36
10	TJC3961-10Y	40.5	35.64	18	TJC3961-18Y	72.2	67.32
11	TJC3961-11Y	44.5	39.60				
材质·表面处理 Material and Finish				PA66 UL94V-0 · White			



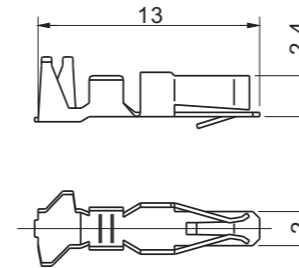
技术参数 (SPECIFICATIONS)

适应基板厚度 (Applicable PC board thickness) : 1.6mm
 适用线规 (Applicable wires) : AWG18#~26#
 温度范围 (Temprature range) : -25°C~85°C
 额定电压 (Voltage rating) : 250V AC/DC
 额定电流 (Current rating) : 3A
 接触电阻 (Contact resistance) : ≤0.02Ω
 绝缘电阻 (Insulation resistance) : ≥1000MΩ
 耐压 (Withstand voltage) : 1000V AC/minute

认证 (STANDARDS) : E200881

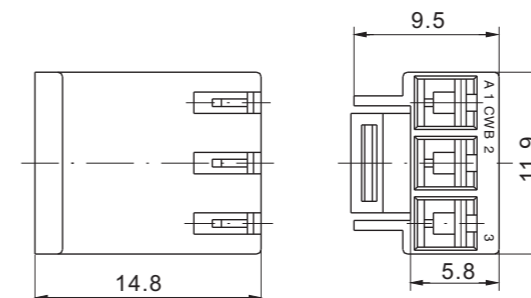
产品名称 (Part No) : TJC3964 (Wafer)		
线数 (Poles) : 15		
材料 (Material) : PBT		
颜色 (Color) : 原色 (Nature)		

端子 TERMINAL



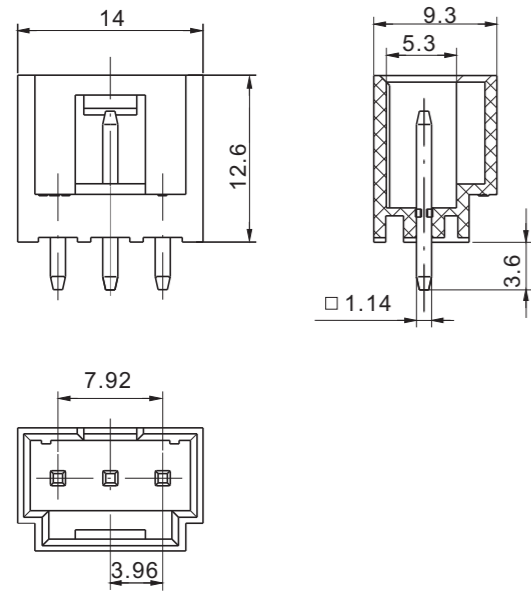
型号 Type	适用导线范围 Wire Range		导线外径 Wire ins.Dis
	mm ²	AWG#	
TJC3965	0.33 ~ 0.83	26 ~ 18	1.7~3.0
材质·表面处理 Material and Finish			
磷青铜 Phos·bronze Tin·Plated			

阴连接器 HOUSING



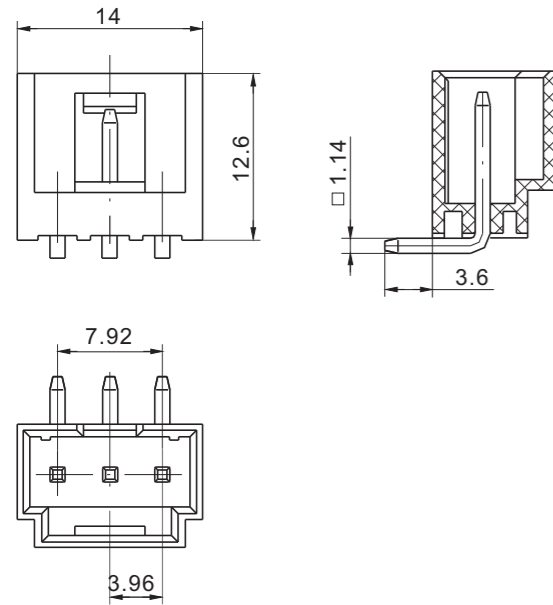
线数 Poles	型号 Type
3	TJC3965-3Y
材质·表面处理 Material and Finish	
PA66 UL94V-0 · White	

阳连接器 (直式) WAFER (180°)



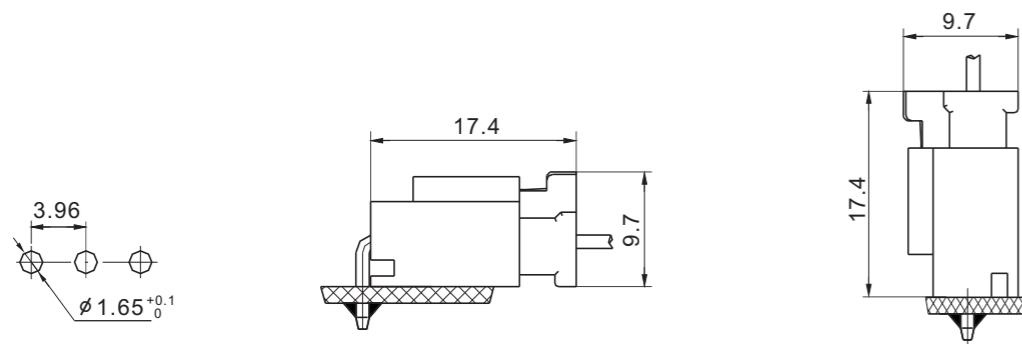
线数 Poles	型号 Type
3	TJC3965-3A
材质·表面处理 Material and Finish	
PA66 UL94V-0 · White; 黄铜 镀锡 Brass Tin · Plated	

阳连接器 (弯式) WAFER (90°)



线数 Poles	型号 Type
3	TJC3965-3AW
材质·表面处理 Material and Finish	
PA66 UL94V-0 · White; 黄铜 镀锡 Brass Tin · Plated	

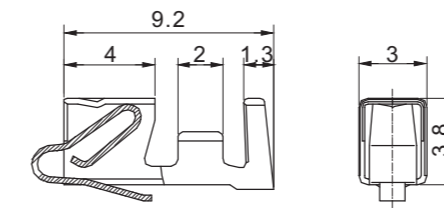
安装尺寸 MOUNTING MEASUREMENT



技术参数 (SPECIFICATIONS)

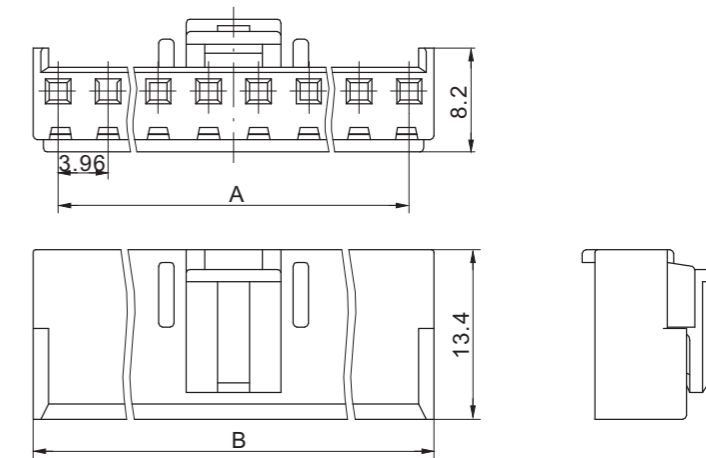
适用线规 (Applicable wires) : AWG22#~18#
 适应基板厚度 (Applicable PC board thickness) : 1.2mm~1.6mm
 温度范围 (Temperature range) : -25°C~85°C
 额定电压 (Voltage rating) : 250V AC/DC
 额定电流 (Current rating) : 5A
 接触电阻 (Contact resistance) : ≤0.01Ω
 绝缘电阻 (Insulation resistance) : ≥1000MΩ
 耐压 (Withstand voltage) : 1500V AC/minute

端子 TERMINAL



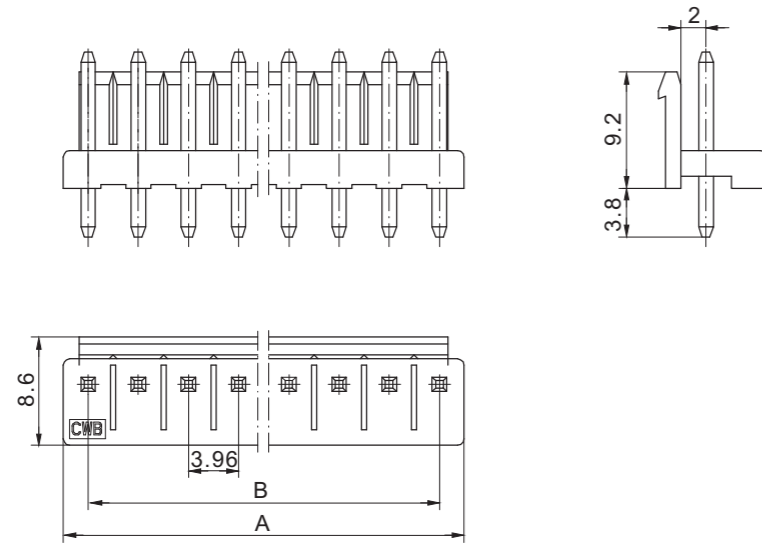
型号 Type	适用导线范围 Wire Range		导线外径 Wire ins.Dis
	mm ²	AWG#	
TJC3966 插簧	0.33 ~ 0.83	22 ~ 18	1.7~3.0
材质·表面处理 Material and Finish			
磷青铜 Phos · bronze Tin · Plated			

阴连接器 HOUSING



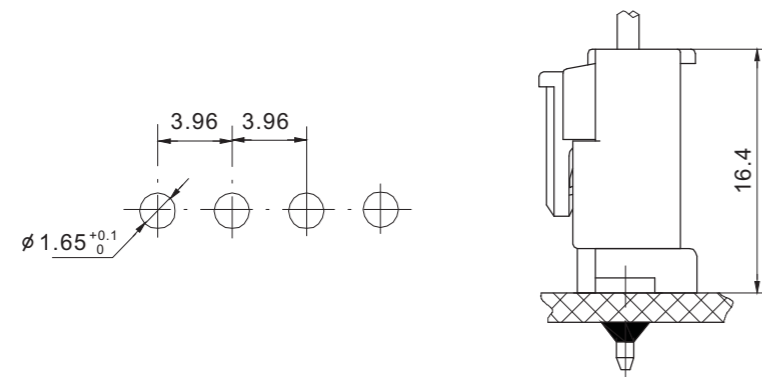
线数 Poles	型号 Type	尺寸 Dimensions(mm)		线数 Poles	型号 Type	尺寸 Dimensions(mm)	
		A	B			A	B
2	TJC3966-2Y	3.96	7.86	8	TJC3966-8Y	27.72	31.62
3	TJC3966-3Y	7.92	11.82	9	TJC3966-9Y	31.68	35.58
4	TJC3966-4Y	11.88	15.78	10	TJC3966-10Y	35.64	39.54
5	TJC3966-5Y	15.84	19.74	11	TJC3966-11Y	39.60	43.50
6	TJC3966-6Y	19.80	23.70	12	TJC3966-12Y	43.56	47.46
7	TJC3966-7Y	23.76	27.66				
材质·表面处理 Material and Finish						PA66 UL94V-0 · White	

阳连接器 (直式) WAFER (180°)



线数 Poles	型号 Type	尺寸Dimensions(mm)		线数 Poles	型号 Type	尺寸Dimensions(mm)	
	直式 (180°)	A	B		直式 (180°)	A	B
2	TJC3966-2A	7.86	3.96	8	TJC3966-8A	31.62	27.72
3	TJC3966-3A	11.82	7.92	9	TJC3966-9A	35.58	31.68
4	TJC3966-4A	15.78	11.88	10	TJC3966-10A	39.54	35.64
5	TJC3966-5A	19.74	15.84	11	TJC3966-11A	43.50	39.60
6	TJC3966-6A	23.70	19.80	12	TJC3966-12A	47.46	43.56
7	TJC3966-7A	27.66	23.76				
材质·表面处理 Material and Finish		PBT UL94-0 · Nature ; 黄铜 镀锡 Brass Tin · Plated					

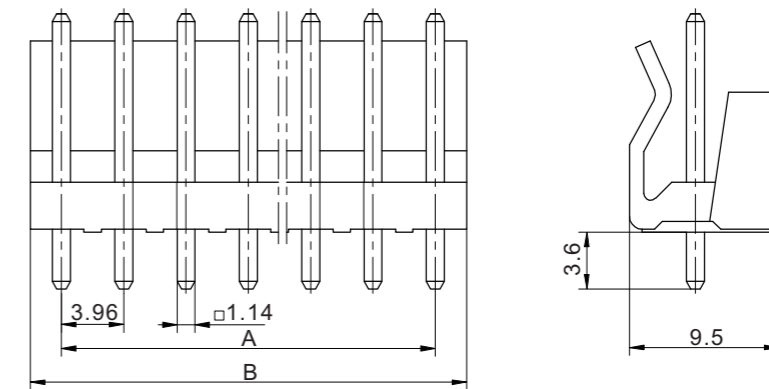
安装尺寸 MOUNTING MEASUREMENT



技术参数 (SPECIFICATIONS)

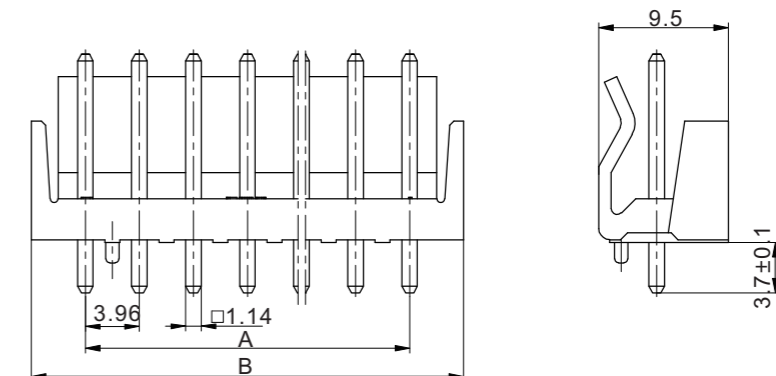
适应基板厚度 (Applicable PC board thickness) : 1.2~1.6 mm
 温度范围 (Temperature range) : -25℃~85℃
 额定电压 (Voltage rating) : 250V AC/DC
 额定电流 (Current rating) : 5A
 接触电阻 (Contact resistance) : ≤0.01Ω
 绝缘电阻 (Insulation resistance) : ≥1000MΩ
 耐电压 (Withstand voltage) : 1000V AC/minute

阳连接器 (直式) WAFER (180°)



线数 Poles	型号 Type	尺寸Dimensions(mm)		线数 Poles	型号 Type	尺寸Dimensions(mm)	
	直式 (180°)	A	B		直式 (180°)	A	B
2	TJC3967-2A	3.96	7.92	8	TJC3967-7A	23.76	27.72
3	TJC3967-3A	7.92	11.88	9	TJC3967-8A	27.72	31.68
4	TJC3967-4A	11.88	15.84	10	TJC3967-9A	31.68	35.64
5	TJC3967-5A	15.84	19.8	11	TJC3967-10A	35.64	39.6
6	TJC3967-6A	19.8	23.76	12	TJC3967-11A	39.6	43.56
材质·表面处理 Material and Finish		PA66 UL94V-0 · White; 黄铜 镀锡 Brass Tin · Plated					

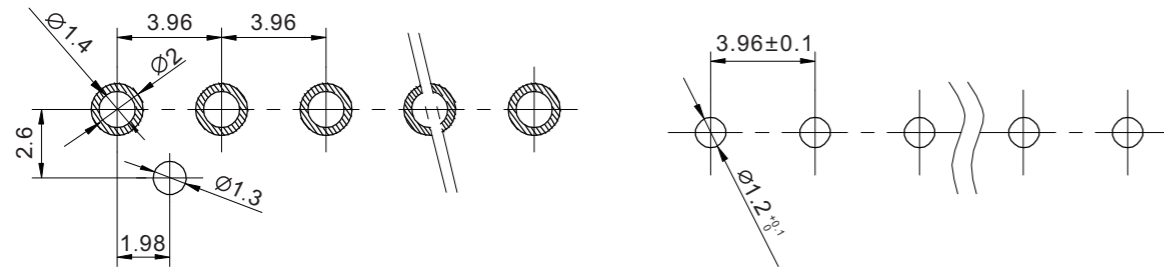
阳连接器 (直式定位柱) WAFER (180°)



线数 Poles	型号 Type	尺寸Dimensions(mm)		线数 Poles	型号 Type	尺寸Dimensions(mm)	
	直式 (180°)	A	B		A	B	
2	TJC3967-2AD	3.96	11.88	8	TJC3967-8AD	27.72	35.64
3	TJC3967-3AD	7.92	15.84	9	TJC3967-9AD	31.68	39.6
4	TJC3967-4AD	11.88	19.8	10	TJC3967-10AD	35.64	43.56
5	TJC3967-5AD	15.84	23.76	11	TJC3967-11AD	39.6	47.52
6	TJC3967-6AD	19.8	27.32	12	TJC3967-12AD	43.56	51.48
7	TJC3967-7AD	23.78	31.68	13	TJC3967-13AD	47.52	55.44

材质·表面处理 Material and Finish PA66 UL94V-0 · White; 黄铜 镀锡 Brass Tin · Plated

安装尺寸 MOUNTING MEASUREMENT

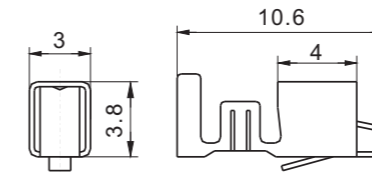


技术参数 (SPECIFICATIONS)

适用线规 (Applicable wires) : AWG22#~18#
 适应基板厚度 (Applicable PC board thickness) : 1.6mm
 温度范围 (Temprature range) : -25℃~85℃
 额定电压 (Voltage rating) : 250V AC/DC
 额定电流 (Current rating) : 7A
 接触电阻 (Contact resistance) : ≤0.01Ω
 绝缘电阻 (Insulation resistance) : ≥1000MΩ
 耐压 (Withstand voltage) : 1500V AC/minute

认证 (STANDARDS) : E200881

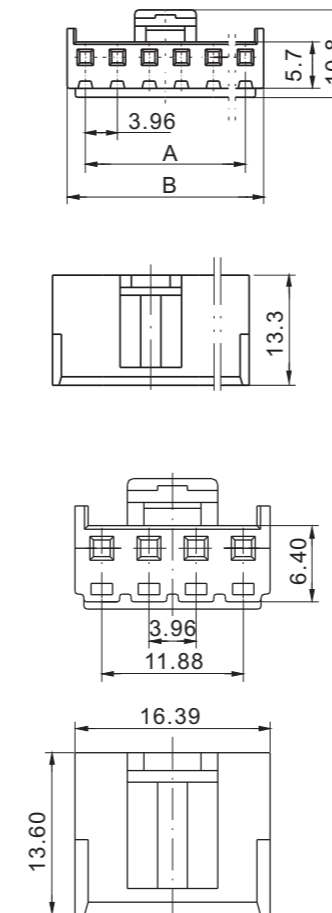
端子 TERMINAL



型号 Type	适用导线范围 Wire Range		导线外径 Wire ins.Dis
	mm ²	AWG#	
VH	0.33 ~ 0.83	22 ~ 18	1.7~3.0

材质·表面处理 Material and Finish 磷青铜 Phos · bronze Tin · Plated

阴连接器 HOUSING

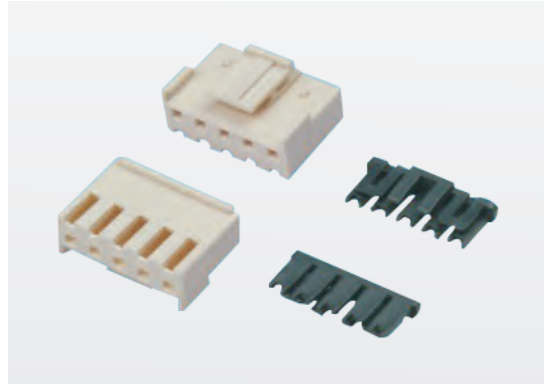


线数 Poles	型号 Type	尺寸Dimensions(mm)		线数 Poles	型号 Type	尺寸Dimensions(mm)	
		A	B			A	B
2	VH-2Y	3.96	8.47	8	VH-8Y	27.72	32.23
3	VH-3Y	7.92	12.43	9	VH-9Y	31.68	36.19
4	VH-4Y	11.88	16.39	10	VH-10Y	35.64	40.15
5	VH-5Y	15.84	20.35	11	VH-11Y	39.60	44.11
6	VH-6Y	19.80	24.31	12	VH-12Y	43.56	48.07
7	VH-7Y	23.76	28.27	13	VH-13Y	47.52	52.03

材质·表面处理 Material and Finish

线数 Poles	型号 Type
4	VHM-4Y

材质·表面处理 Material and Finish PA66 UL94V-0 · White

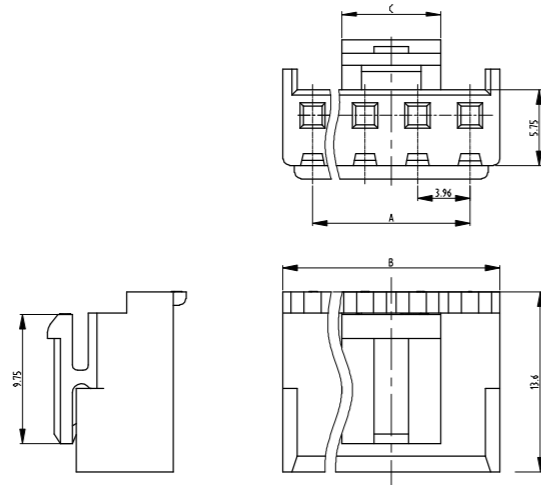


技术参数 (SPECIFICATIONS)

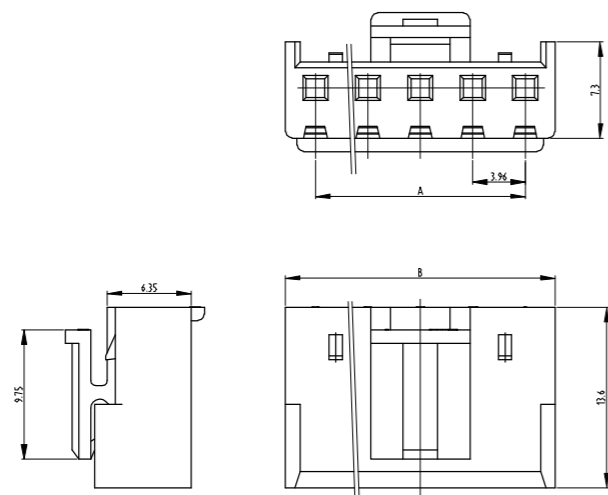
适用线规 (Applicable wires) : AWG22#~18#
 温度范围 (Temperature range) : -25℃~+85℃
 额定电压 (Voltage rating) : 250V AC/DC
 额定电流 (Current rating) : 3A (AWG22#)、
 5A (AWG20#)、7A (AWG18#)
 绝缘电阻 (Insulation resistance) : ≥1000MΩ
 耐电压 (Withstand voltage) : 1500V AC/minute

认证 (STANDARDS) : US E200881

端子 Contact (VH插簧)
阴连接器 Housing

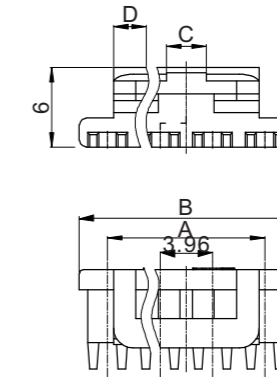


线数 Poles	型号 Type	尺寸Dimensions (mm)		
		A	B	C
2	TJC39614-2Y	/	8.5	3.6
3	TJC39614-3Y	7.92	12.45	7.5
4	TJC39614-4Y	11.88	16.41	7.5
材质·表面处理 Material and Finish		PA66 UL94V-0		

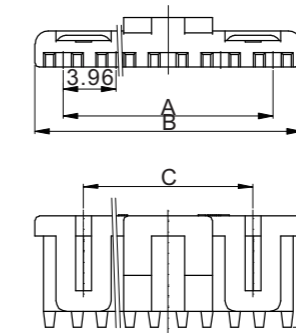


线数 Poles	型号 Type	尺寸Dimensions (mm)	
		A	B
5	TJC39614-5Y	15.84	20.37
6	TJC39614-6Y	19.80	24.33
7	TJC39614-7Y	23.76	28.29
材质·表面处理 Material and Finish		PA66 UL94V-0	

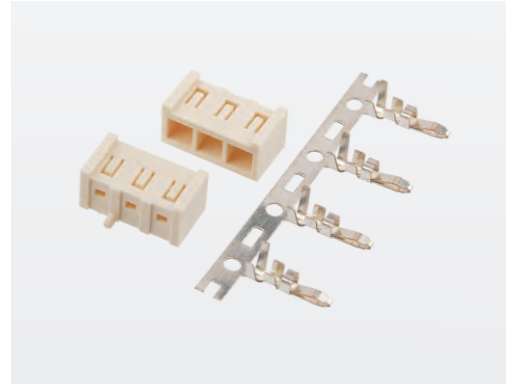
锁紧片 Lock Plate



线数 Poles	型号 Type	尺寸Dimensions (mm)			
		A	B	C	C
2	TJC39614-2YS	/	8.5	1.5	7.0
3	TJC39614-3YS	7.92	12.45	3.0	11.0
4	TJC39614-4YS	11.88	16.41	3.0	11.0
材质·表面处理 Material and Finish		PA66 UL94V-0			



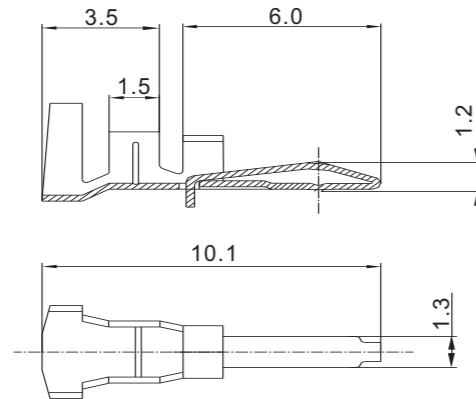
线数 Poles	型号 Type	尺寸Dimensions (mm)		
		A	B	C
5	TJC39614-5YS	15.84	20.12	12.79
6	TJC39614-6YS	19.80	24.08	16.75
7	TJC39614-7YS	23.76	28.04	20.71
材质·表面处理 Material and Finish		PA66 UL94V-0		



技术参数 (SPECIFICATIONS)

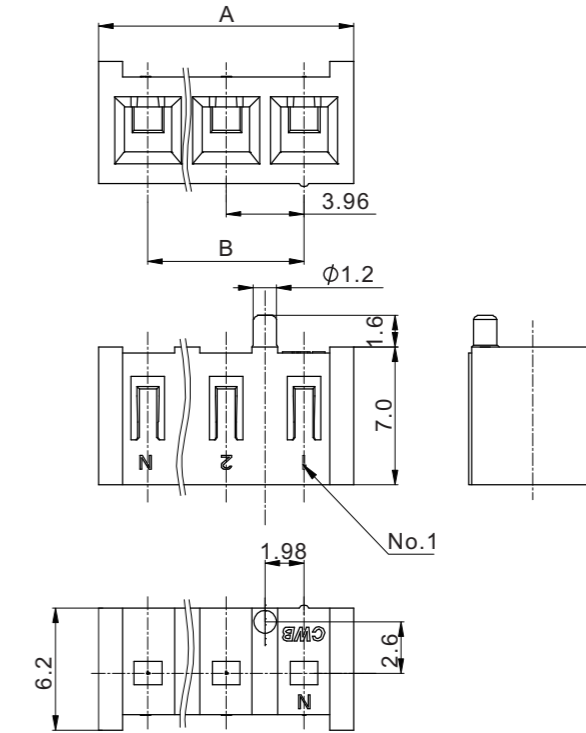
适用线规 (Applicable wires) : AWG22#~18#
 适应基板厚度 (Applicable PC board thickness) : 1.6 mm
 温度范围 (Temperature range) : -25℃~85℃
 额定电压 (Voltage rating) : 250V AC/DC
 额定电流 (Current rating) : 7A
 绝缘电阻 (Insulation resistance) : $\geq 1000M\Omega$
 耐压 (Withstand voltage) : 1500V AC/minute

端子 Contact



型号 Type	适用导线范围 Wire Range		导线外径 Wire ins.Dis
	mm ²	AWG#	
TJC39615	0.82 ~ 0.82	18 ~ 22	1.6 ~ 2.05
材质 · 表面处理 Material and Finish			
磷青铜 Phos · bronze Tin · Plating			

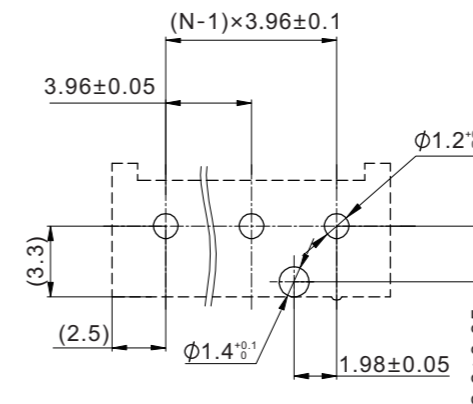
阴连接器 HOUSING



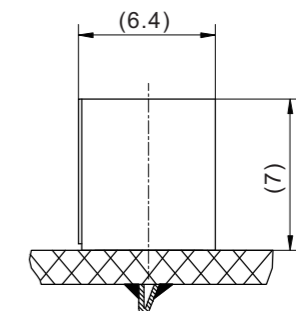
线数 Poles	型号 Type	尺寸 Dimensions (mm)		线数 Poles	型号 Type	尺寸 Dimensions (mm)	
		A	B			A	B
3	TJC39615-3A	12.92	7.92	8	TJC39615-8A	32.72	27.72
材质 · 表面处理 Material and Finish				PA66 UL94 V-0			

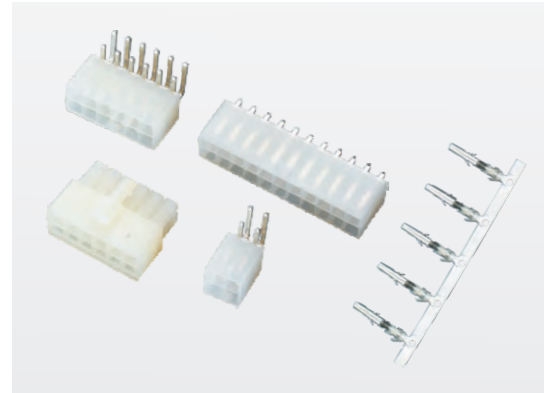
安装尺寸 MOUNTING MEASUREMENT

PCB LAYOUT



Assembly View (DIM FYI)



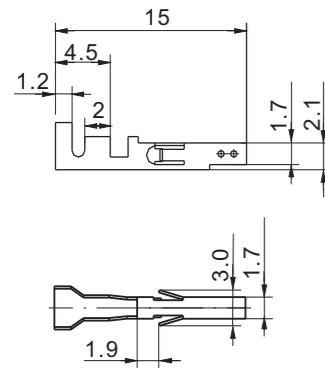


技术参数 (SPECIFICATIONS)

适用线规 (Applicable wires) : AWG24#~18#
 适应基板厚度 (Applicable PC board thickness) : 1.6mm
 温度范围 (Temprature range) : -25℃~85℃
 额定电压 (Voltage rating) : 250V AC/DC
 额定电流 (Current rating) : 5A
 接触电阻 (Contact resistance) : ≤0.01Ω
 绝缘电阻 (Insulation resistance) : ≥1000MΩ
 耐压 (Withstand voltage) : 1500V AC/minute

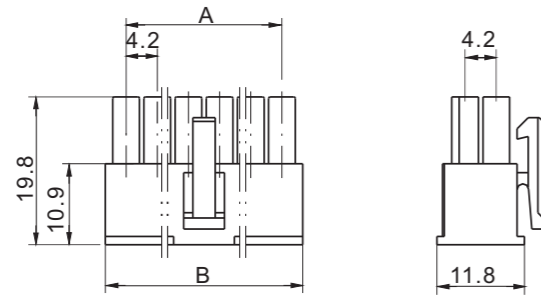
认证 (STANDARDS) : E200881

端子 TERMINAL



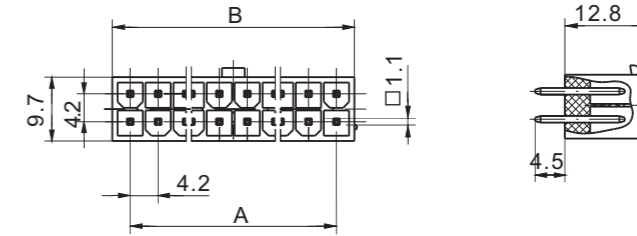
型号 Type	适用导线范围 Wire Range		导线外径 Wire ins.Dis
	mm ²	AWG#	
TJC16(CH34)	0.2 ~ 0.75	24 ~ 18	1.7~2.8
材质·表面处理 Material and Finish			
磷青铜 Phos·bronze Tin·plated			

阴连接器 HOUSING

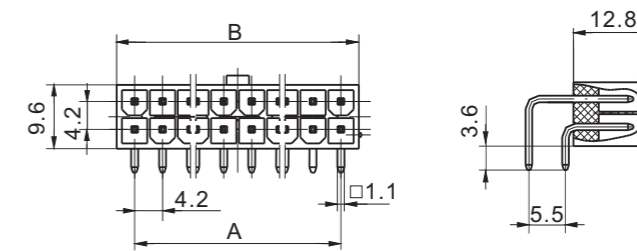


线数 Poles	型号 Type	尺寸 Dimensions(mm)		线数 Poles	型号 Type	尺寸 Dimensions(mm)	
		A	B			A	B
4	TJC16-4Y	4.2	9.8	16	TJC16-16	29.4	35.0
6	TJC16-6Y	8.4	14.0	18	TJC16-18Y	33.6	39.2
8	TJC16-8Y	12.6	18.2	20	TJC16-20Y	37.8	43.4
10	TJC16-10Y	16.8	22.4	22	TJC16-22Y	42.0	47.6
12	TJC16-12Y	21.0	26.6	24	TJC16-24Y	46.2	51.8
14							
材质·表面处理 Material and Finish				PA66 UL94V-2 · Nature PA66 UL94V-0 · Nature			

阳连接器 (直式) WAFER (180°)

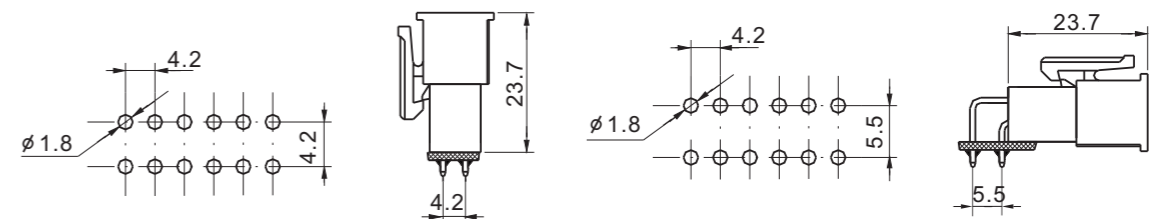


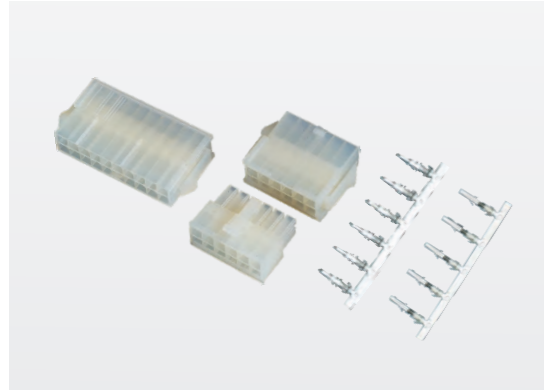
阳连接器 (弯式) WAFER (90°)



线数 Poles	型号 Type		尺寸 Dimensions(mm)	
	直式 (180°)	弯式 (90°)	A	B
4	TJC4201-4A	TJC4201-4AW	4.2	9.6
6	TJC4201-6A	TJC4201-6AW	8.4	13.8
8	TJC4201-8A	TJC4201-8AW	12.6	18.0
10	TJC4201-10A	TJC4201-10AW	16.8	22.2
12	TJC4201-12A	TJC4201-12AW	21.0	26.4
14	TJC4201-14A	TJC4201-14AW	25.2	30.6
16	TJC4201-16A	TJC4201-16AW	29.4	34.8
18	TJC4201-18A	TJC4201-18AW	33.6	39.0
20	TJC4201-20A	TJC4201-20AW	37.8	43.2
22	TJC4201-22A	TJC4201-22AW	42.0	47.4
24	TJC4201-24A	TJC4201-24AW	46.2	51.6
材质·表面处理 Material and Finish			PA66 UL94V-0 · Nature PA66 UL94V-2 · Nature; Brass Tin · plated	

安装尺寸 MOUNTING MEASUREMENT

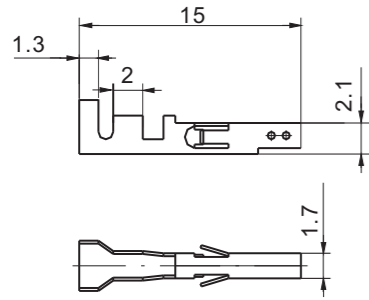




技术参数 (SPECIFICATIONS)

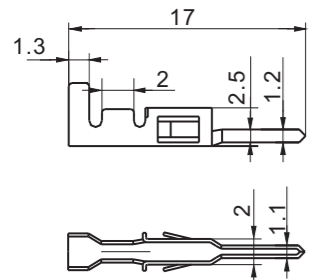
适用线规 (Applicable wires) : AWG24#~18#
 温度范围 (Temprature range) : -25℃~85℃
 额定电压 (Voltage rating) : 250V AC/DC
 额定电流 (Current rating) : 5A
 接触电阻 (Contact resistance) : ≤0.01Ω
 绝缘电阻 (Insulation resistance) : ≥1000MΩ
 耐压 (Withstand voltage) : 1500V AC/minute
 认证 (STANDARDS) : E200881

阴连接器端子 FEMALE CRIMP TERMINAL



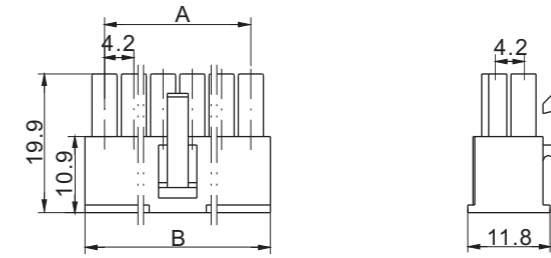
型号 Type	适用导线范围 Wire Range		导线外径 Wire ins.Dis
	mm ²	AWG#	
TJC16(CH34)	0.2 ~ 0.75	24 ~ 18	1.7~2.8
材质·表面处理 Material and Finish			
磷青铜 Phos·bronze Tin·Plated			

阳连接器端子 MALE CRIMP TERMINAL



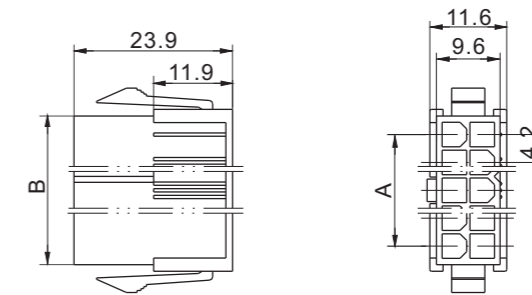
型号 Type	适用导线范围 Wire Range		导线外径 Wire ins.Dis
	mm ²	AWG#	
TJC16(CZ34)	0.2 ~ 0.75	24 ~ 18	1.7~2.8
材质·表面处理 Material and Finish			
磷青铜 Phos·bronze Tin·Plated			

阴连接器 HOUSING



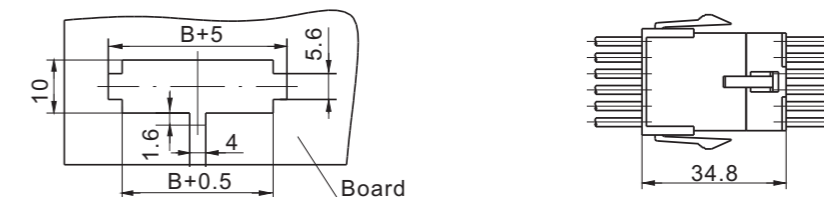
线数 Poles	型号 Type	尺寸Dimensions(mm)		线数 Poles	型号 Type	尺寸Dimensions(mm)	
		A	B			A	B
4	TJC16-4Y	4.2	9.8	16	TJC16-16Y	29.4	35.0
6	TJC16-6Y	8.4	14.0	18	TJC16-18Y	33.6	39.2
8	TJC16-8Y	12.6	18.2	20	TJC16-20Y	37.8	43.4
10	TJC16-10Y	16.8	22.4	22	TJC16-22Y	42.0	47.6
12	TJC16-12Y	21.0	26.6	24	TJC16-24Y	46.2	51.8
14	TJC16-14Y	25.2	30.8				
材质·表面处理 Material and Finish						PA66 UL94V-0 · Nature PA66 UL94V-2 · Nature	

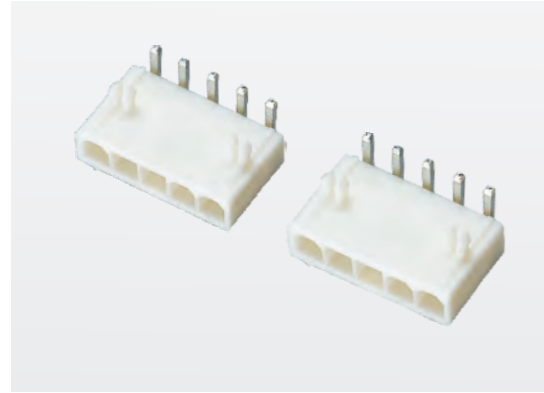
阳连接器 WAFER



线数 Poles	型号 Type	尺寸Dimensions(mm)		线数 Poles	型号 Type	尺寸Dimensions(mm)	
		A	B			A	B
4	TJC16-4A	4.2	9.8	16	TJC16-16A	29.4	35.0
6	TJC16-6A	8.4	14.0	18	TJC16-18A	33.6	39.2
8	TJC16-8A	12.6	18.2	20	TJC16-20A	37.8	43.4
10	TJC16-10A	16.8	22.4	22	TJC16-22A	42.0	47.6
12	TJC16-12A	21.0	26.6	24	TJC16-24A	46.2	51.8
14	TJC16-14A	25.2	30.8				
材质·表面处理 Material and Finish							

安装尺寸 MOUNTNG MEASUREMENT

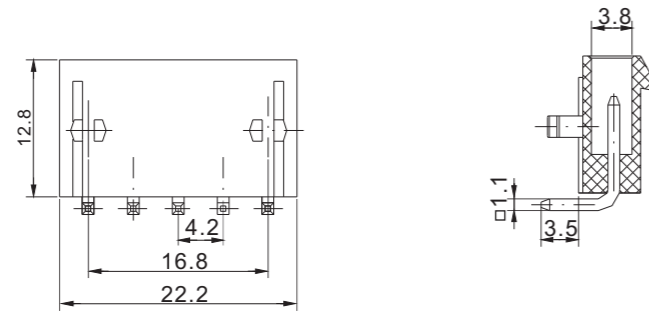




技术参数 (SPECIFICATIONS)

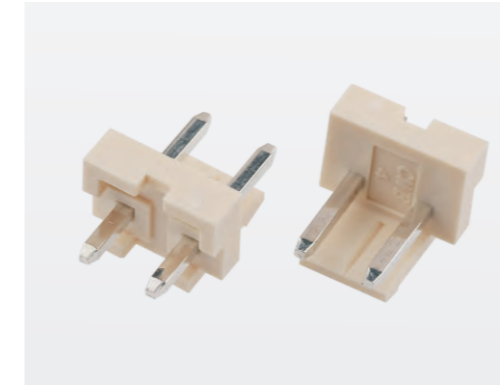
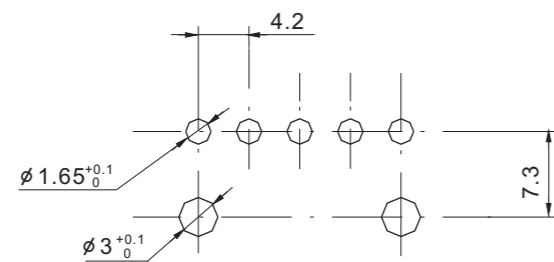
温度范围 (Temperature range) : -25°C~85°C
 额定电压 (Voltage rating) : 250V AC/DC
 额定电流 (Current rating) : 5A
 接触电阻 (Contact resistance) : $\leq 0.01 \Omega$
 绝缘电阻 (Insulation resistance) : $\geq 1000M \Omega$
 耐压 (Withstand voltage) : 1500V AC/minute

阳连接器 (弯式) WAFER (90°)



线数 Poles	型号 Type
5	TJC4203-5AW
材质·表面处理 Material and Finish PA66 UL94V-0 · White; 黄铜 镀锡 Brass Tin · Plated	

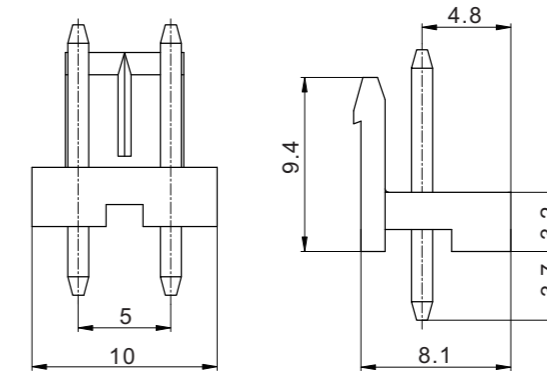
安装尺寸 MOUNTING MEASUREMENT



技术参数 (SPECIFICATIONS)

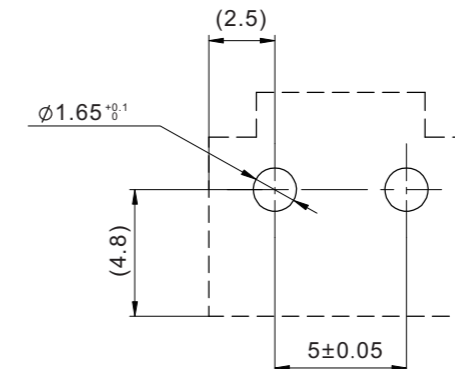
适应基板厚度 (Applicable PC board thickness) : 1.2mm~1.6 mm
 温度范围 (Temperature range) : -40°C ~ +105°C
 额定电压 (Voltage rating) : 250V AC/DC
 额定电流 (Current rating) : 5A
 接触电阻 (Contact resistance) : $\leq 0.01 \Omega$
 绝缘电阻 (Insulation resistance) : $\geq 1000M \Omega$
 耐压 (Withstand voltage) : 1000V AC/minute

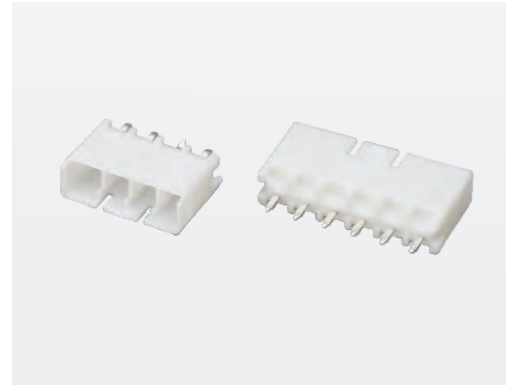
阳连接器 HEADER



线数 Poles	型号 Type
2	TJC5010-2A
材质·表面处理 Material and Finish PA66 UL94V_0·White; 黄铜 镀锡 Brass Tin·Plated	

安装尺寸 MOUNTING MEASUREMENT

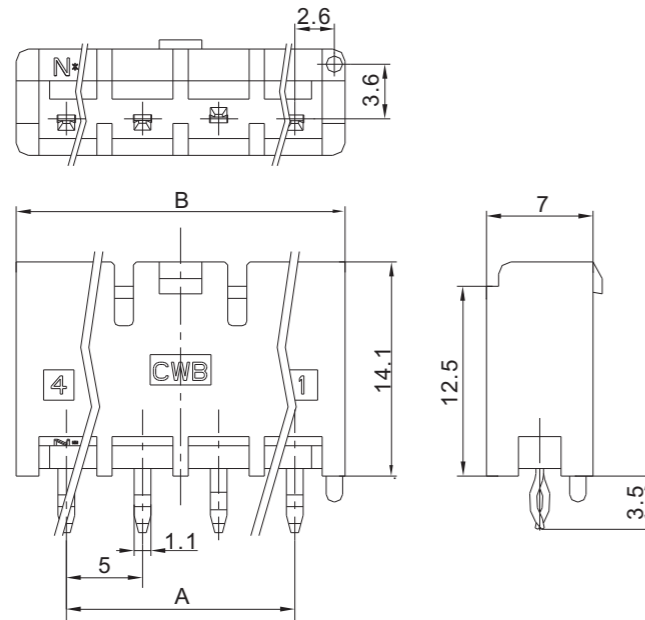




技术参数 (SPECIFICATIONS)

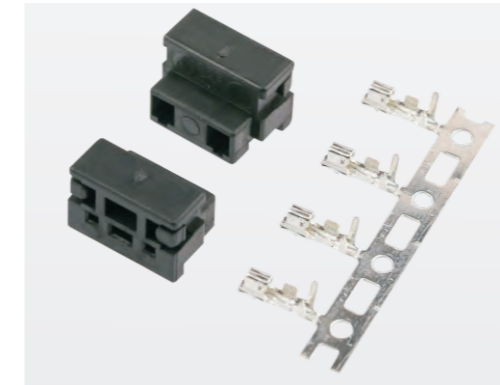
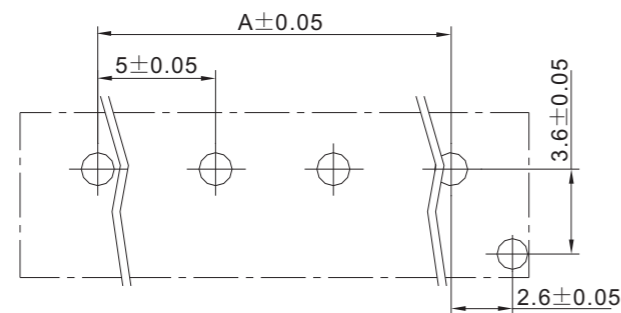
温度范围 (Temperature range) : $-40^{\circ}\text{C}\sim+105^{\circ}\text{C}$
 额定电压 (Voltage rating) : 250V AC/DC
 额定电流 (Current rating) : 4pin: 9A MAX;6pin:8A MAX
 绝缘电阻 (Insulation resistance) : $\geq 1000\text{M}\Omega$
 耐压 (Withstand voltage) : 1500V AC/minute
 认证 (STANDARDS) : E200881

阳连接器 Wafer



线数 Poles	型号 Type	尺寸 Dimensions (mm)	
		A	B
4	TJC50012-4A	15.0	21.6
6	TJC50012-6A	25.0	31.6
材质·表面处理 Material and Finish PC UL94V-0·White; 黄铜 Brass Tin·Plating			

安装尺寸 MOUNTING MEASUREMENT

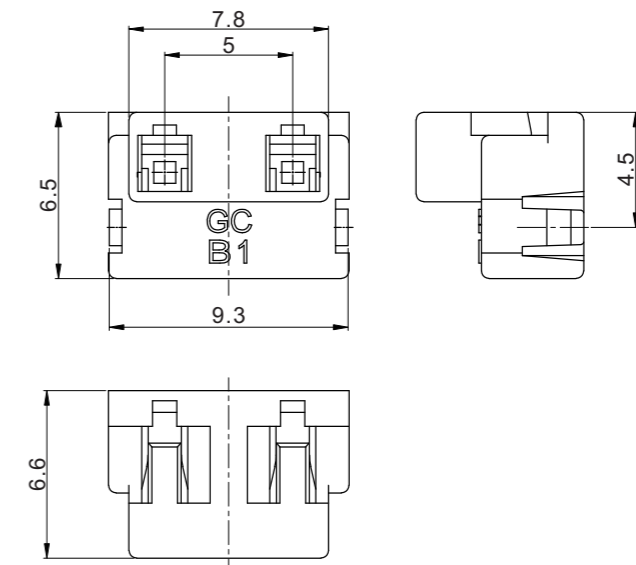


技术参数 (SPECIFICATIONS)

适用线规 (Applicable wires) : AWG28#~22#
 温度范围 (Temperature range) : $-25^{\circ}\text{C}\sim+85^{\circ}\text{C}$
 额定电压 (Voltage rating) : 250V AC/DC
 额定电流 (Current rating) : 3A
 接触电阻 (Contact resistance) : $\leq 0.01\Omega$
 绝缘电阻 (Insulation resistance) : $\geq 1000\text{M}\Omega$
 耐压 (Withstand voltage) : 1000V AC/minute

端子 Contact

型号 Type	适用导线范围 Wire Range		导线外径 Wire ins.Dis
	mm ²	AWG#	
TJC50013	0.08~0.33	28~22	1.2~1.6
材质·表面处理 Material and Finish 磷青铜 Phos·bronze Tin·Plating			



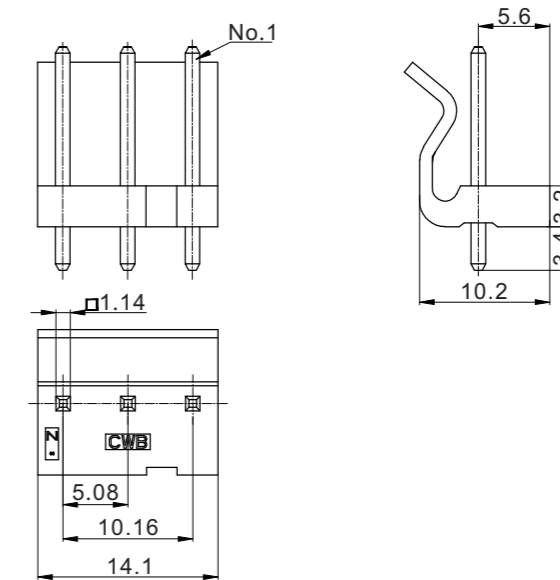
线数 Poles	型号 Type
2	TJC50014-2Y
材质·表面处理 Material and Finish PA66 UL94V-0	



技术参数 (SPECIFICATIONS)

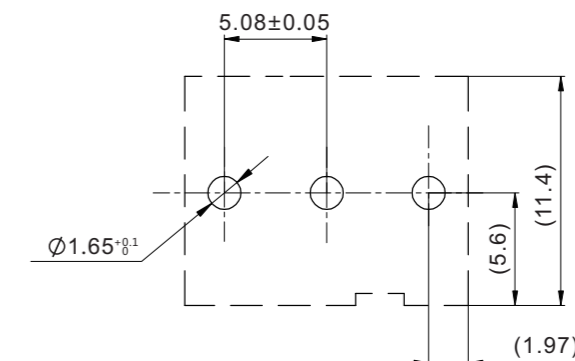
适应基板厚度 (Applicable PC board thickness) : 1.2mm~1.6 mm
 温度范围 (Temperature range) : -40℃ ~ +105℃
 额定电压 (Voltage rating) : 250V AC/DC
 额定电流 (Current rating) : 5A
 接触电阻 (Contact resistance) : ≤0.01Ω
 绝缘电阻 (Insulation resistance) : ≥1000MΩ
 耐压 (Withstand voltage) : 1000V AC/minute

阳连接器 HEADER



线数 Poles	型号 Type
3	TJC50801-3A
材质·表面处理 Material and Finish PA66 UL94V_0•White; 黄铜 镀锡 Brass Tin•Plated	

安装尺寸 MOUNTING MEASUREMENT

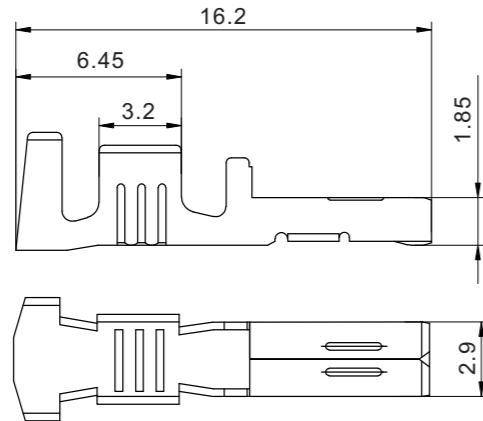




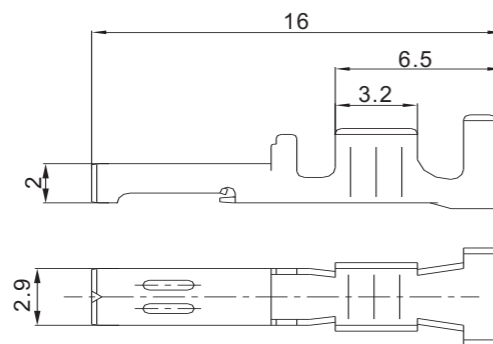
技术参数 (SPECIFICATIONS)

适用线规 (Applicable wires) :
 CH99插簧适用线规: AWG18# ~ AWG14#
 CH99B插簧适用线规: (AWG20#+AWG20#)、(AWG20#+AWG18#)
 (AWG20#+AWG16#)、(AWG18#+AWG18#)
 CH99-1插簧适用线规: AWG18# ~ AWG14#
 CH99-2插簧适用线规: AWG22# ~ AWG18#
 温度范围 (Temperature range) : -25°C~+85°C
 额定电压 (Voltage rating) : 250V AC/DC
 额定电流 (Current rating) : 15A
 接触电阻 (Contact resistance) : ≤0.02Ω
 绝缘电阻 (Insulation resistance) : ≥1000MΩ
 耐压 (Withstand voltage) : 2200V AC/minute

端子 Contact

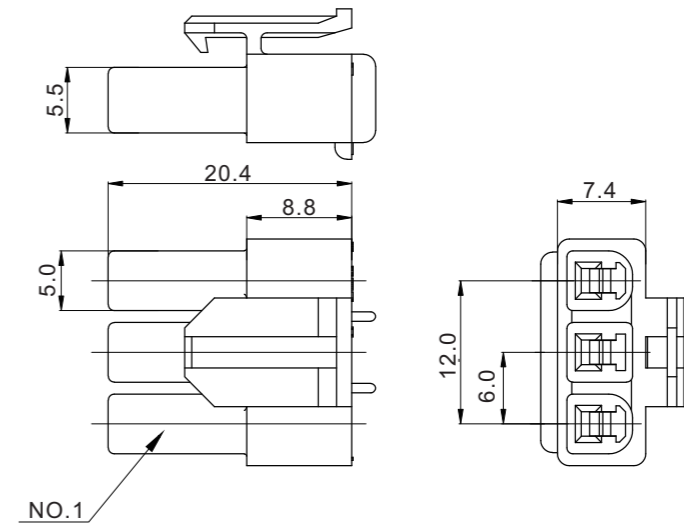


型号 Type	适用导线范围 Wire Range		导线外径 Wire ins.Dis
	mm ²	AWG#	
CH99-1	0.83 ~ 2.1	18 ~ 14	2.05 ~ 2.6
CH99-2	0.33 ~ 0.83	22 ~ 18	1.6 ~ 2.05
材质 · 表面处理 Material and Finish			
磷青铜 Phos · bronze Tin · Plating			



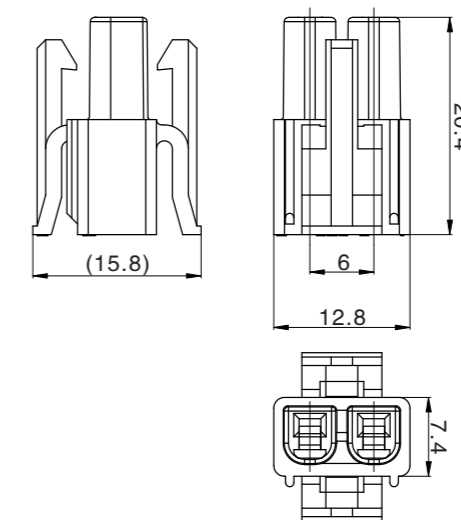
型号 Type	适用导线范围 Wire Range		导线外径 Wire ins.Dis
	mm ²	AWG#	
CH99	0.83 ~ 2.1	18 ~ 14	2.05 ~ 2.6
CH99B	0.52~1.3	(20+20)、(20+18)、 (20+16)、(18+18)	1.8~2.35
材质 · 表面处理 Material and Finish			
磷青铜 Phos · bronze Tin · Plating			

阴连接器 Housing



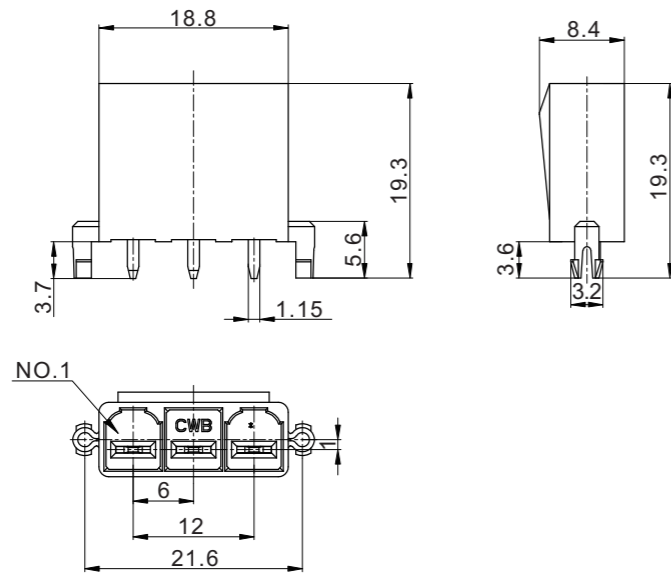
线数 Poles	型号 Type
3	CY320
材质 · 表面处理 Material and Finish PA66 UL94V-0	

阴连接器 Housing



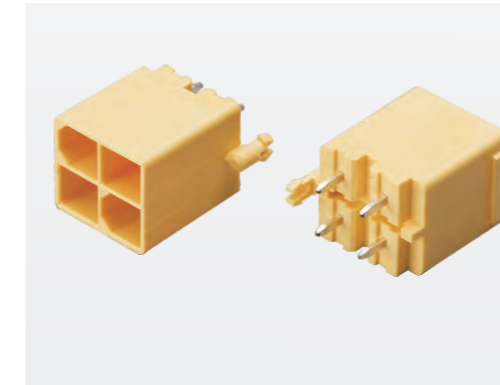
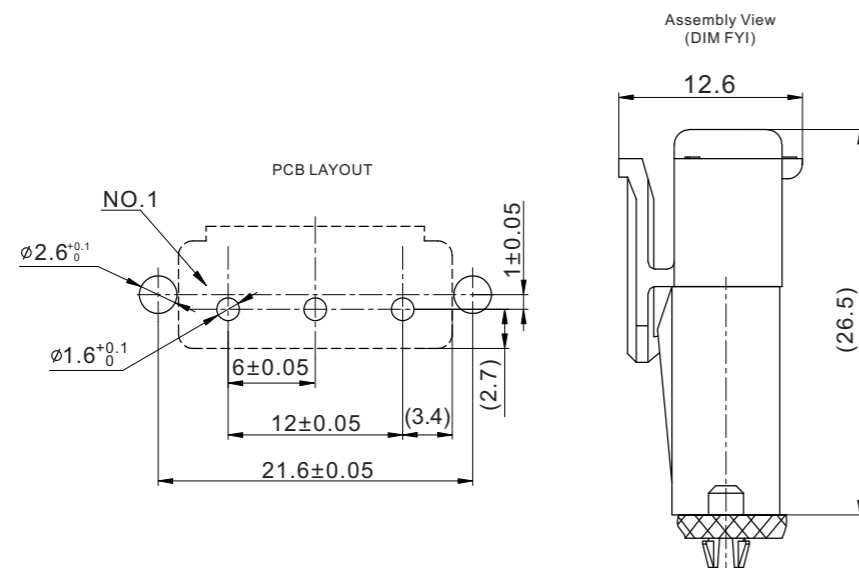
线数 Poles	型号 Type
2	Cy319
材质 · 表面处理 Material and Finish PC UL94 V-0 GWT750°C	

阳连接器 Header



线数 Poles	型号 Type
3	CJ-CA430
材质·表面处理 Material and Finish PA66 UL94V-0 黄铜 镀锡 Brass Tin·Plating	

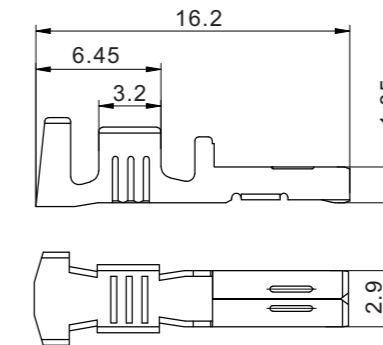
安装尺寸 MOUNTING MEASUREMENT



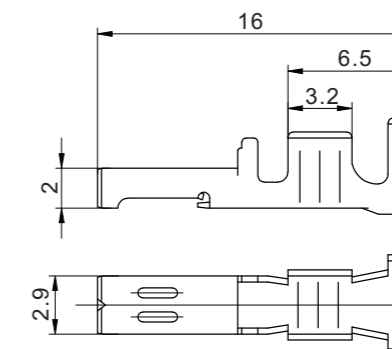
技术参数 (SPECIFICATIONS)

适用线规 (Applicable wires) :
 CH99插簧适用线规: AWG18# ~ AWG14#
 CH99B插簧适用线规: (AWG20#+AWG20#)、(AWG20#+AWG18#)
 (AWG20#+AWG16#)、(AWG18#+AWG18#)
 CH99-1插簧适用线规: AWG18# ~ AWG14#
 CH99-2插簧适用线规: AWG22# ~ AWG18#
 温度范围 (Temperature range) : -25℃~+85℃
 额定电压 (Voltage rating) : 250V AC/DC
 额定电流 (Current rating) : 15A
 接触电阻 (Contact resistance) : ≤0.02Ω
 绝缘电阻 (Insulation resistance) : ≥1000MΩ
 耐压 (Withstand voltage) : 2200V AC/minute

端子 Contact

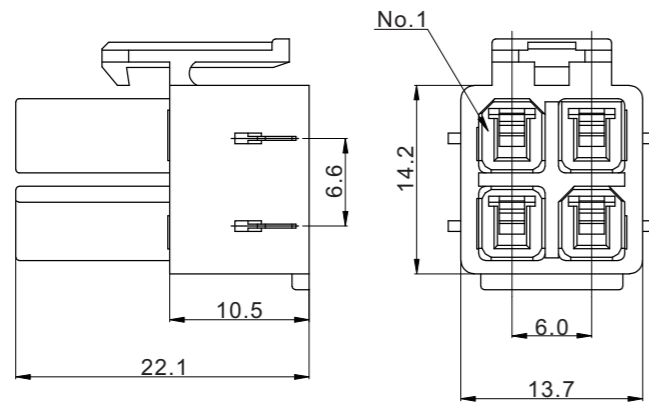


型号 Type	适用导线范围 Wire Range		导线外径 Wire ins.Dis
	mm ²	AWG#	
CH99-1	0.83 ~ 2.1	18 ~ 14	2.05 ~ 2.6
CH99-2	0.33 ~ 0.83	22 ~ 18	1.6 ~ 2.05
材质·表面处理 Material and Finish			
磷青铜 Phos·bronze Tin·Plating			



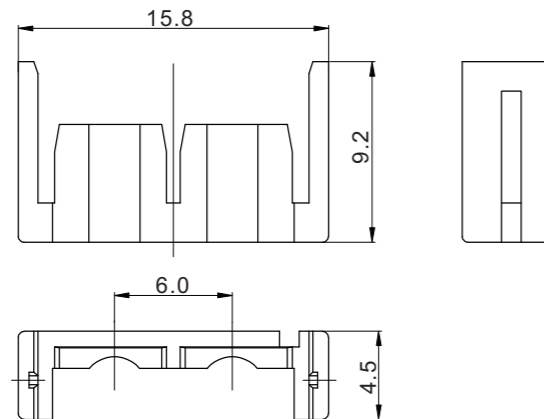
型号 Type	适用导线范围 Wire Range		导线外径 Wire ins.Dis
	mm ²	AWG#	
CH99	0.83 ~ 2.1	18 ~ 14	2.05 ~ 2.6
CH99B	0.52~1.3	(20+20)、(20+18)、 (20+16)、(18+18)	1.8~2.35
材质 · 表面处理 Material and Finish			
磷青铜 Phos · bronze Tin · Plating			

阴连接器 Housing



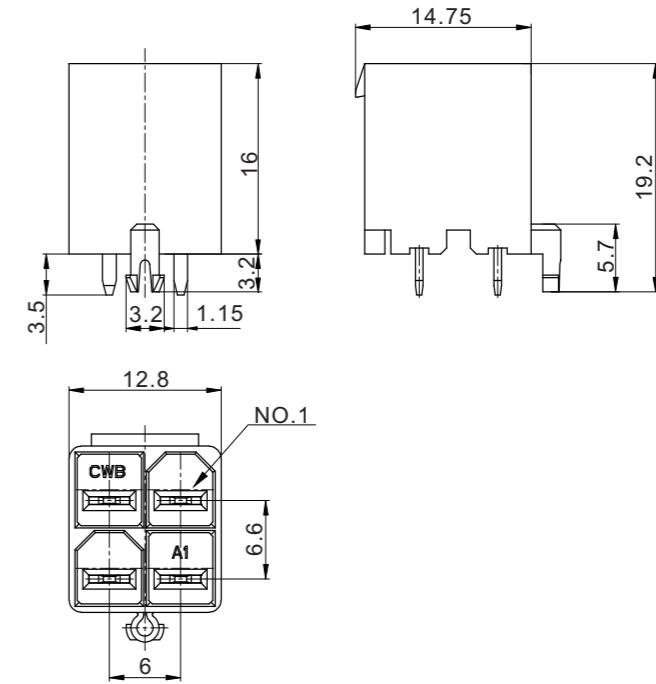
线数 Poles	型号 Type
4	CY386
材质 · 表面处理 Material and Finish PC/PET UL94V-0	

锁紧片 Lock plate



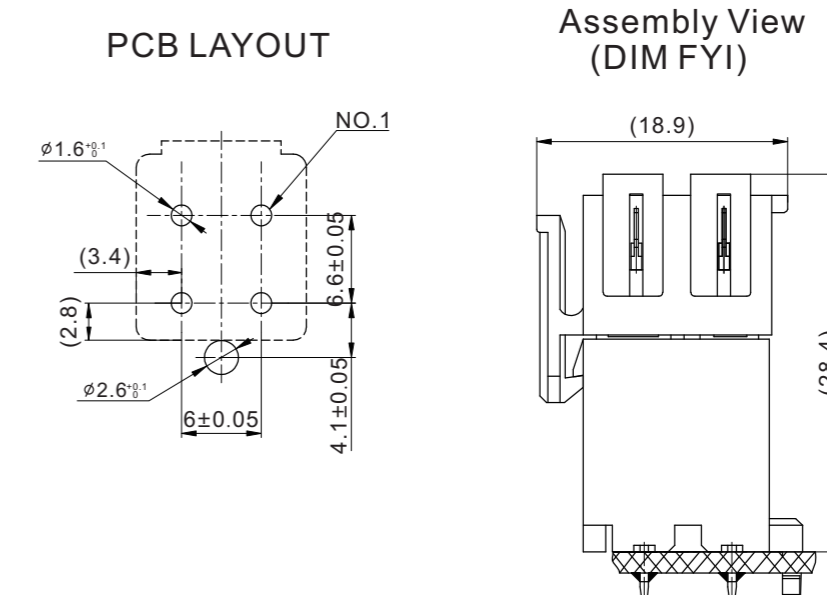
线数 Poles	型号 Type
2	CYS386
材质 · 表面处理 Material and Finish PA66 UL94V-0	

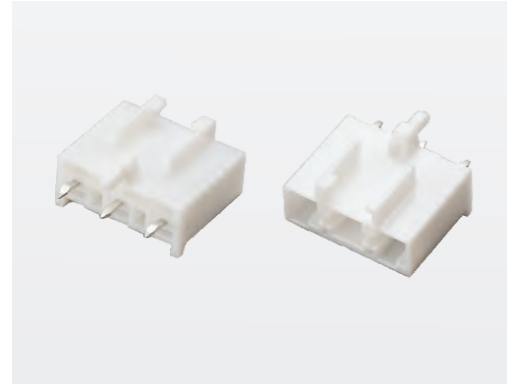
阳连接器 Header



线数 Poles	型号 Type
4	CJ-CA431
材质 · 表面处理 Material and Finish PA66 UL94V-0 黄铜 镀锡 Brass Tin · Plating	

安装尺寸 MOUNTING MEASUREMENT

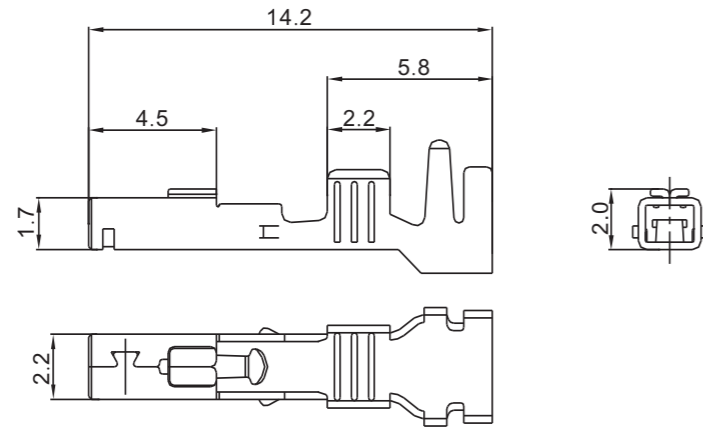




技术参数 (SPECIFICATIONS)

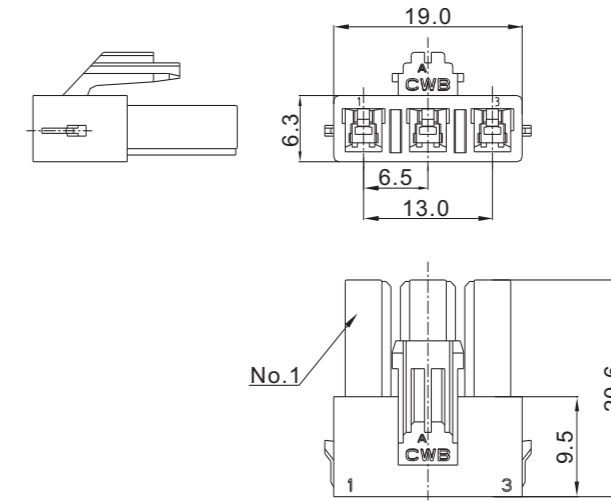
适用线规 (Applicable wires) : AWG20#~16#
AWG26#~22#
温度范围 (Temperature range) : -25℃~+85℃
额定电压 (Voltage rating) : 250V AC/DC
额定电流 (Current rating) : 3A
接触电阻 (Contact resistance) : ≤0.01Ω
绝缘电阻 (Insulation resistance) : ≥1000MΩ
耐压 (Withstand voltage) : 1500V AC/minute

端子 Contact



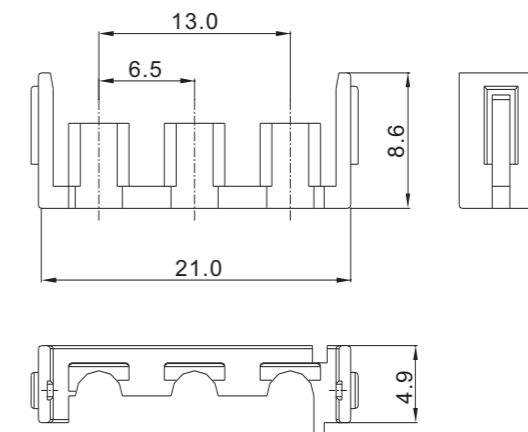
型号 Type	适用导线范围 Wire Range		导线外径 Wire ins.Dis
	mm ²	AWG#	
CH206	0.52 ~ 1.31	20 ~ 16	1.8 ~ 2.35
CH206A	0.13 ~ 0.33	26 ~ 22	1.3~1.6
材质 · 表面处理 Material and Finish			
磷青铜 Phos · bronze Tin · Plating			

阴连接器 Housing



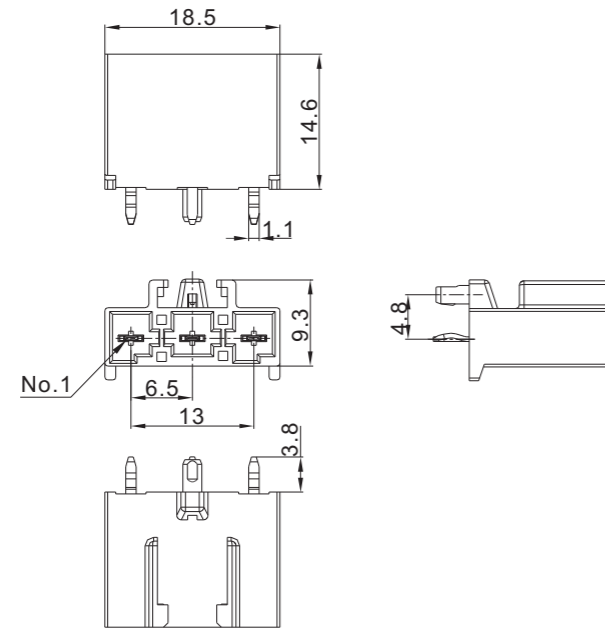
线数 Poles	型号 Type
3	CY380
材质 · 表面处理 Material and Finish PC/PET UL94V-0	

锁紧片 Lock plate



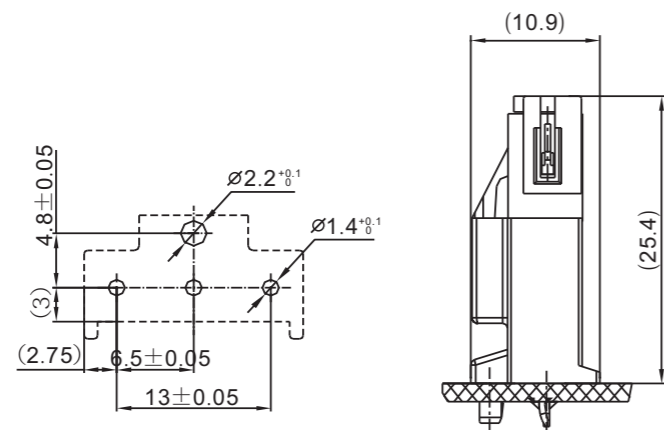
线数 Poles	型号 Type
3	CYS380
材质 · 表面处理 Material and Finish PA66 UL94V-0	

阳连接器 Header

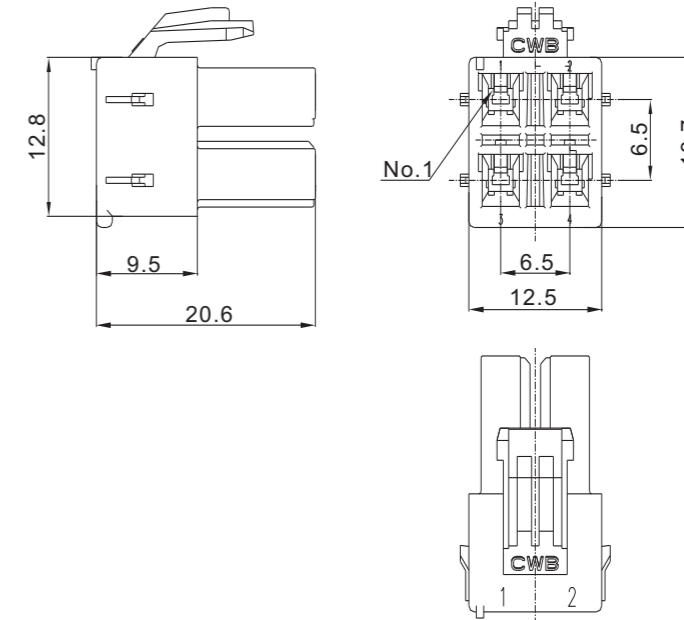


线数 Poles	型号 Type
3	TJC65001-3AD
材质·表面处理 Material and Finish PA66 UL94V-0 黄铜 镀锡 Brass Tin·Plating	

安装尺寸 MOUNTING MEASUREMENT

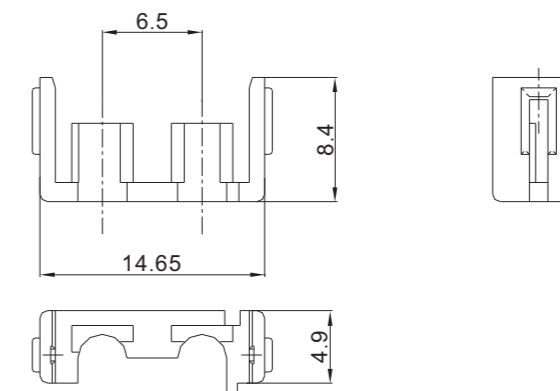


阳连接器 Receptacle Housing

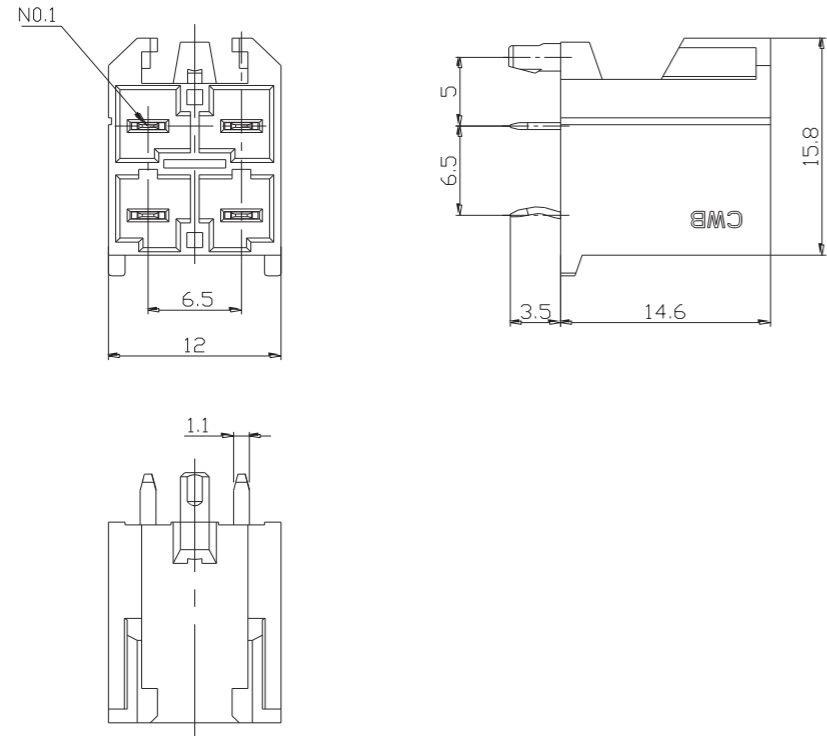


线数 Poles	型号 Type
4	CY373
材质·表面处理 Material and Finish PC/PET UL94V-0	

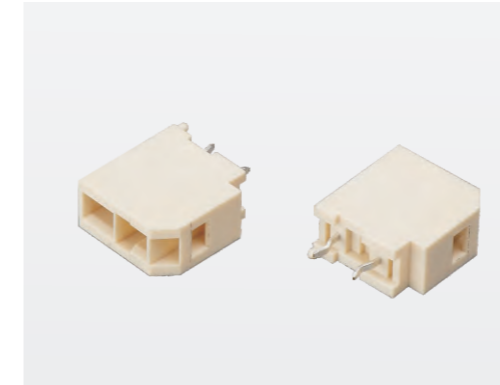
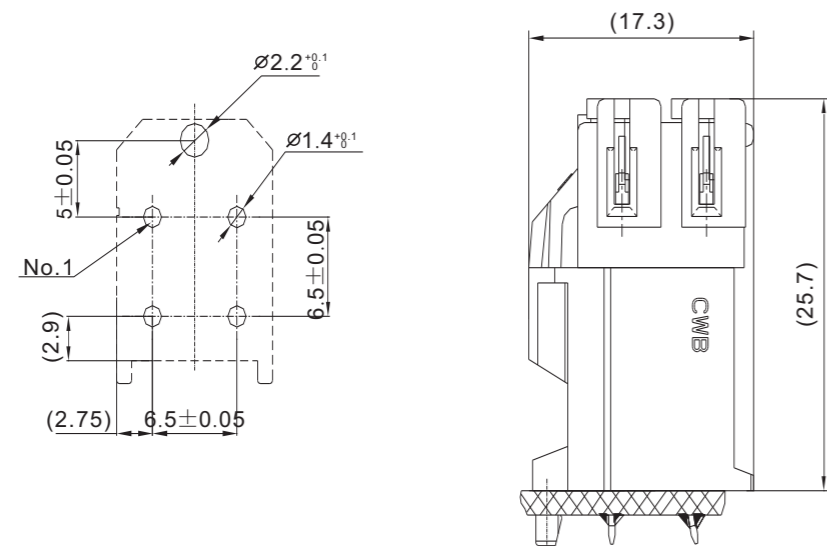
锁紧片 Lock plate



阳连接器 Wafer



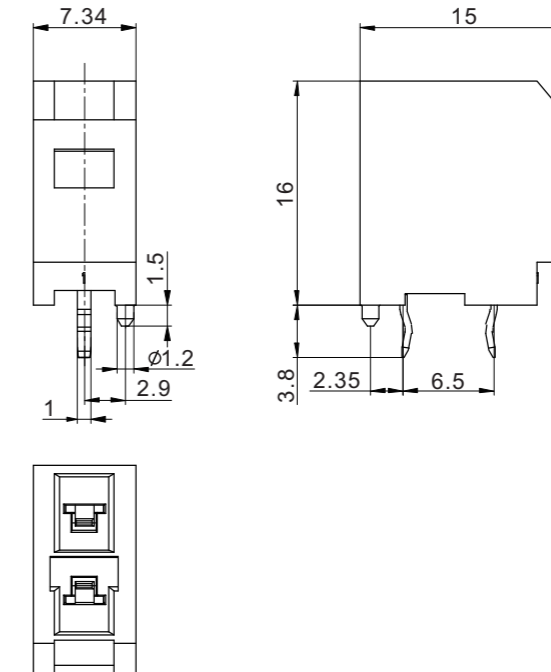
安装尺寸 MOUNTING MEASUREMENT



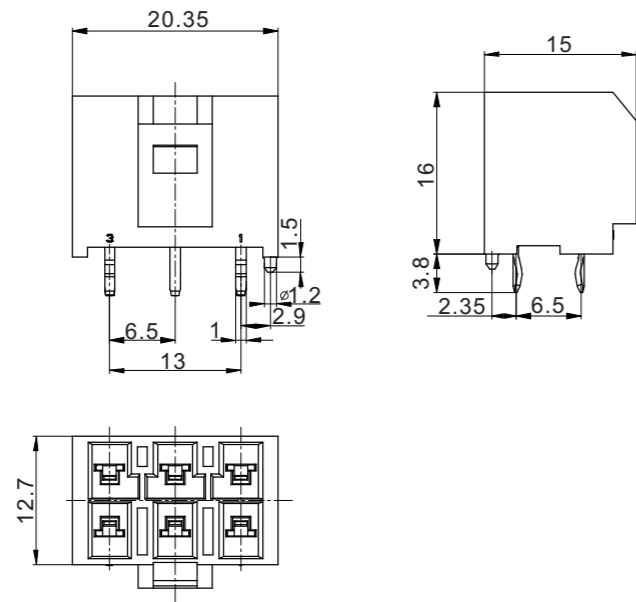
阳连接器 Header

技术参数 (SPECIFICATIONS)

- 温度范围 (Temperature range) : -40°C~+105°C
- 额定电压 (Voltage rating) : 600V AC/DC
- 额定电流 (Current rating) : 3A
- 接触电阻 (Contact resistance) : ≤0.01Ω
- 绝缘电阻 (Insulation resistance) : ≥1000MΩ
- 耐压 (Withstand voltage) : 1500V AC/minute



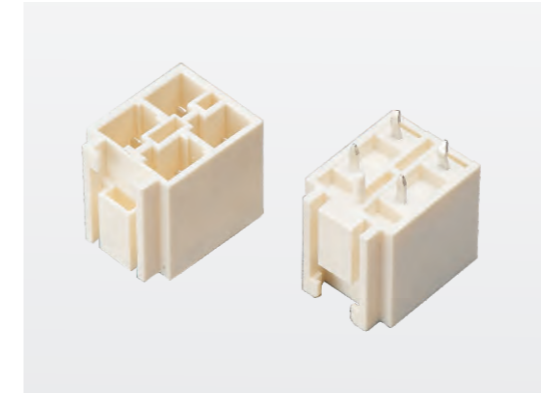
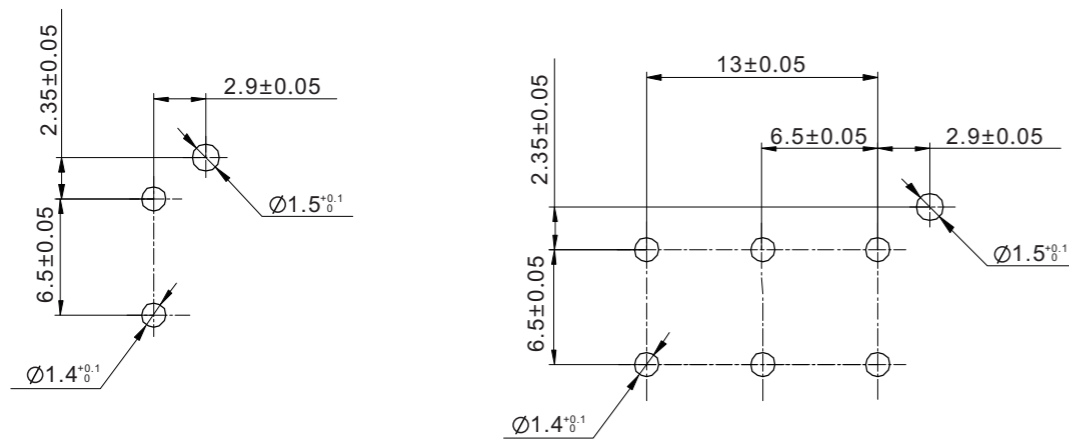
线数 Poles	型号 Type
2	TJC65002-2AD
材质·表面处理 Material and Finish PA66 UL94V-0 黄铜 镀锡 Brass Tin·Plating	




线数 Poles	型号 Type
6	TJC65002-2×3AD
材质·表面处理 Material and Finish PA66 UL94V-0 黄铜 镀锡 Brass Tin·Plating	

安装尺寸 MOUNTING MEASUREMENT

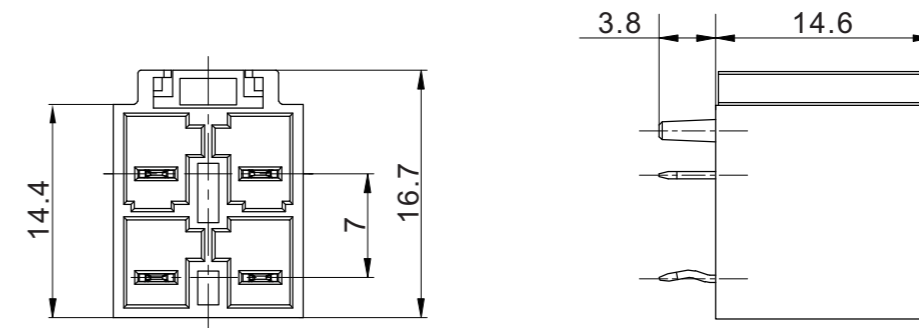
PCB LAYOUT



技术参数 (SPECIFICATIONS)

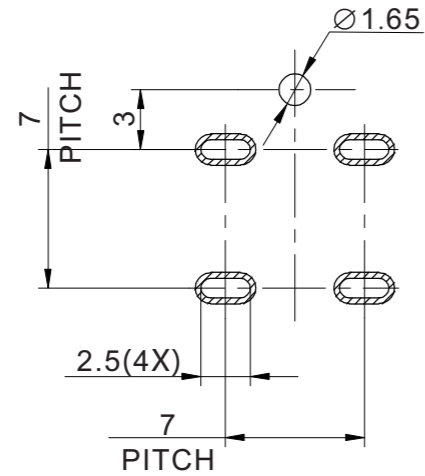
适应基板厚度 (Applicable PC board thickness) : 1.6 mm
 温度范围 (Temperature range) : -40℃~+105℃
 额定电压 (Voltage rating) : 250V AC/DC
 额定电流 (Current rating) : 3A
 接触电阻 (Contact resistance) : ≤0.02Ω
 绝缘电阻 (Insulation resistance) : ≥1000MΩ
 耐电压 (Withstand voltage) : 1000V AC/minute
 认证 (STANDARDS) :  E200881

阳连接器 (WAFER)



线数 Poles	型号 Type
4	TJC70001-2×2AD
材质·表面处理 Material and Finish Pa66 UL94V-0·Nature	

安装尺寸 MOUNTING MEASUREMENT



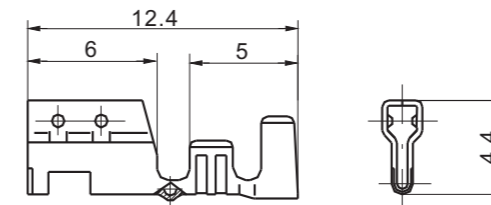
RECOMMENDED PCB LAYOUT



技术参数 (SPECIFICATIONS)

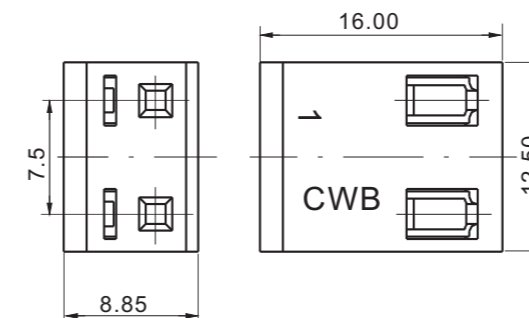
适应基板厚度 (Applicable PC board thickness) : 1.6mm
 温度范围 (Temperature range) : -25°C~85°C
 额定电压 (Voltage rating) : 250V AC/DC
 额定电流 (Current rating) : 3A
 接触电阻 (Contact resistance) : $\leq 0.01\Omega$
 绝缘电阻 (Insulation resistance) : $\geq 1000M\Omega$
 耐压 (Withstand voltage) : 1500V AC/minute

端子 TERMINAL



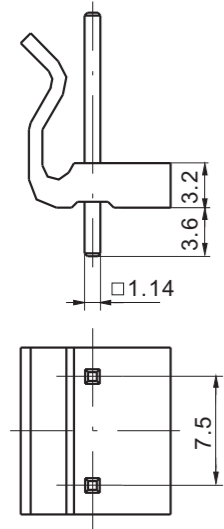
型号 Type	适用导线范围 Wire Range		导线外径 Wire ins.Dis
	mm ²	AWG#	
TJC28	0.33 ~ 0.83	22 ~ 18	1.7~3.0
材质 · 表面处理 Material and Finish			
磷青铜 Phos · bronze Tin · Plated			

阴连接器 HOUSING



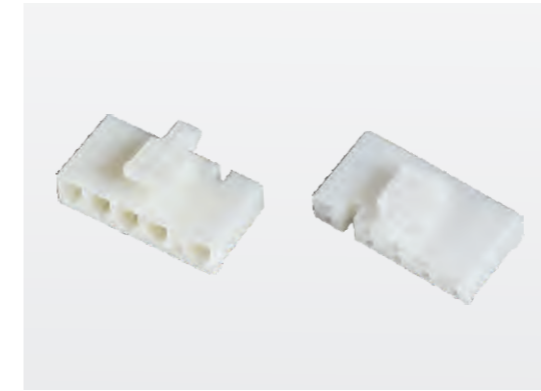
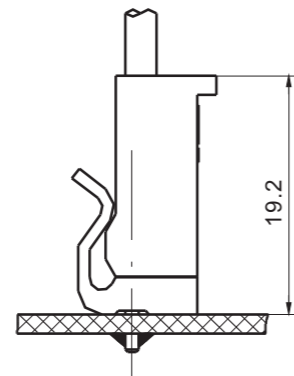
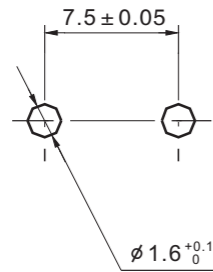
线数 Poles	型号 Type
2	TJC28-2A
材质 · 表面处理 Material and Finish	
PA66 · Nature	

阳连接器 WAFER



线数 Poles	型号 Type
2	TJC28-2A
材质·表面处理 Material and Finish	
PA66·Nature	

安装尺寸 MOUNTING MEASUREMENT

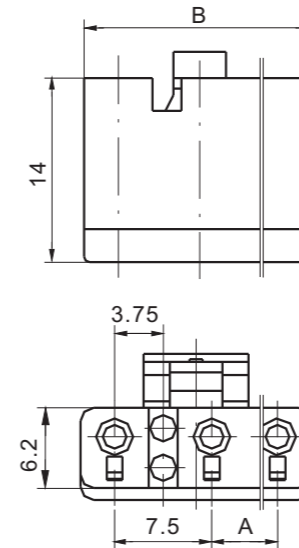


技术参数 (SPECIFICATIONS)

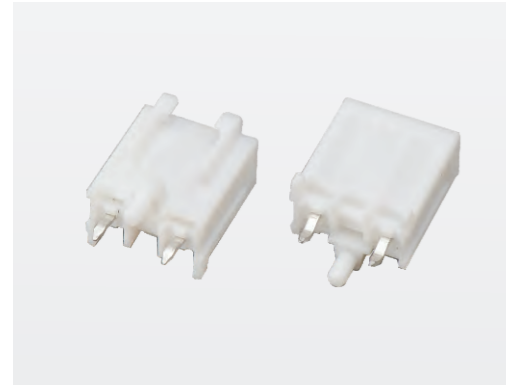
线数 (Poles) : 3~5

温度范围 (Temperature range) : -25℃~85℃

阴连接器 HOUSING



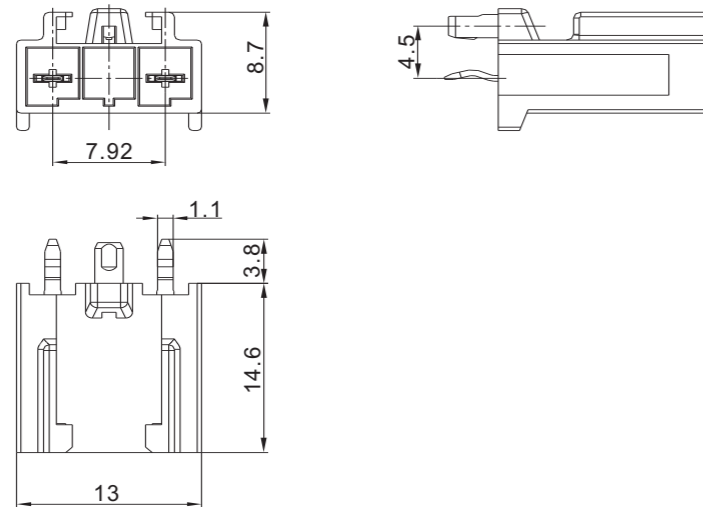
线数 Poles	型号 Type	尺寸 Dimensions(mm)	
		A	B
3	TJC12-3Y	5	17.6
5	TJC12-5Y	15	27.6
材质·表面处理 Material and Finish		PA66·White	



技术参数 (SPECIFICATIONS)

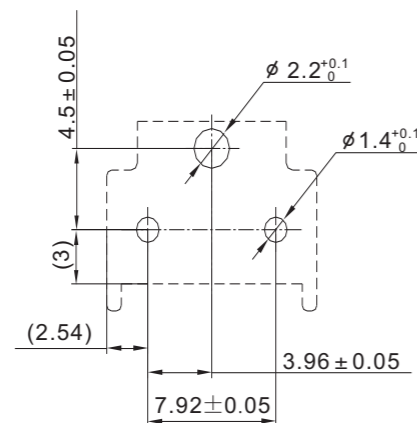
温度范围 (Temperature range) : -30℃~+105℃
 额定电压 (Voltage rating) : 250V AC/DC
 额定电流 (Current rating) : 7A
 接触电阻 (Contact resistance) : ≤0.01Ω
 绝缘电阻 (Insulation resistance) : ≥1000MΩ
 耐压 (Withstand voltage) : 2200V AC/minute

阳连接器 Header



线数 Poles	型号 Type
2	TJC79201-2AD
材质·表面处理 Material and Finish PA66 UL94V-0 黄铜 镀锡 Brass Tin·Plating	

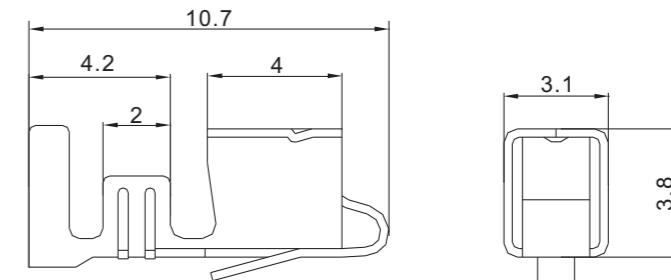
安装尺寸 MOUNTING MEASUREMENT



技术参数 (SPECIFICATIONS)

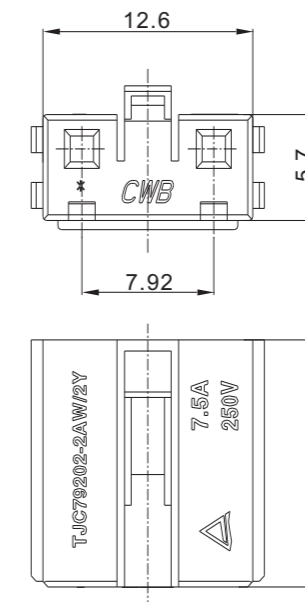
适用线规 (Applicable wires) : AWG22#~16#
 温度范围 (Temperature range) : -25℃~+85℃
 额定电压 (Voltage rating) : 250V AC/DC
 额定电流 (Current rating) : 7.5A
 接触电阻 (Contact resistance) : ≤0.01Ω
 绝缘电阻 (Insulation resistance) : ≥1000MΩ
 耐压 (Withstand voltage) : 1500V AC/minute

端子 TERMINAL



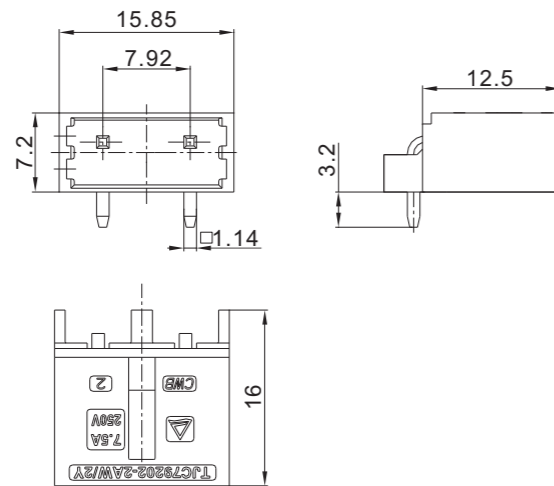
型号 Type	适用导线范围 Wire Range		导线外径 Wire ins.Dis
	mm ²	AWG#	
VH	0.32 ~ 1.31	20 ~ 16	1.6 ~ 2.35
材质·表面处理 Material and Finish 磷青铜 Phos·bronze Tin·Plating			

阳连接器 Receptacle Housing



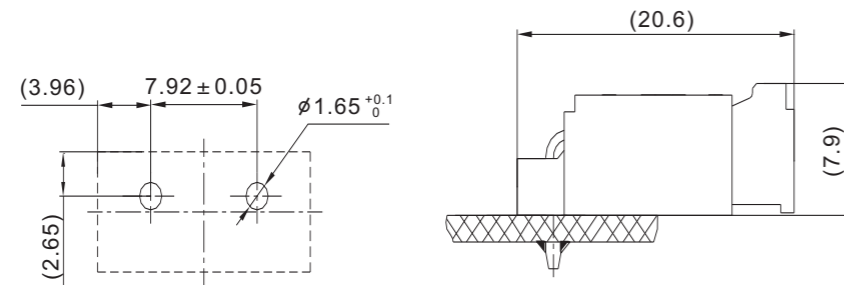
线数 Poles	型号 Type
2	TJC79202-2Y
材质·表面处理 Material and Finish PA66 UL94V-0	

阳连接器 Wafer



线数 Poles	型号 Type
2	TJC79202-2AW
材质·表面处理 Material and Finish PA66 UL94V-0 黄铜 镀锡 Brass Tin·Plating	

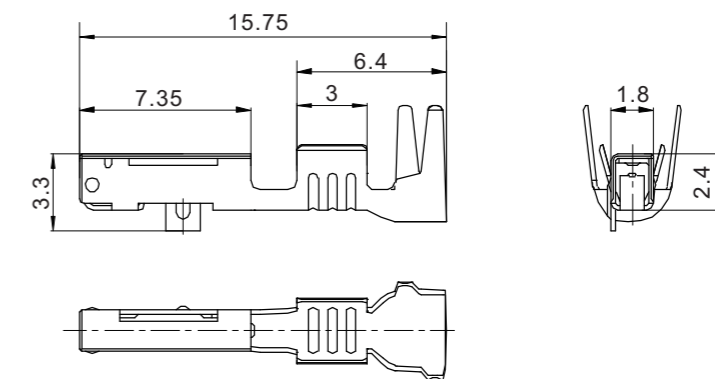
安装尺寸 MOUNTING MEASUREMENT



技术参数 (SPECIFICATIONS)

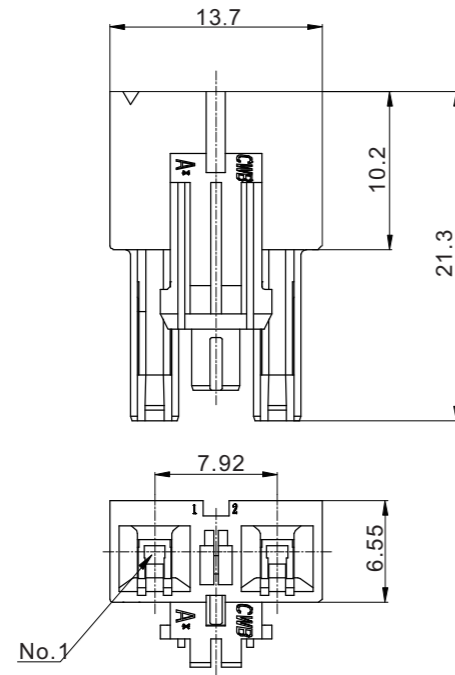
温度范围 (Temperature range) : $-40^{\circ}\text{C} \sim +105^{\circ}\text{C}$
 额定电压 (Voltage rating) : 300V AC/DC
 额定电流 (Current rating) : 7A
 接触电阻 (Contact resistance) : $\leq 0.01\Omega$
 绝缘电阻 (Insulation resistance) : $\geq 1000\text{M}\Omega$
 耐压 (Withstand voltage) : 1500V AC/minute

端子 Contact



型号 Type	适用导线范围 Wire Range		导线外径 Wire ins.Dis
	mm ²	AWG#	
TJC79203	0.82 ~ 1.31	18 ~ 16	2.05 ~ 2.35
材质·表面处理 Material and Finish			
磷青铜 Phos·bronze Tin·Plating			

阴连接器 HOUSING



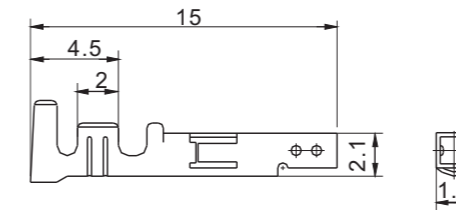
线数 Poles	型号 Type
2	TJC79203-2Y
材质·表面处理 Material and Finish PA66 UL94V-0	

技术参数 (SPECIFICATIONS)

适用线规 (Applicable wires) : AWG28#~22#
 适应基板厚度 (Applicable PC board thickness) : 1.6mm
 温度范围 (Temperature range) : -20℃~85℃
 额定电压 (Voltage rating) : 250V AC/DC
 额定电流 (Current rating) : 5A
 接触电阻 (Contact resistance) : ≤0.02Ω
 绝缘电阻 (Insulation resistance) : ≥1000MΩ
 耐压 (Withstand voltage) : 1500V AC/minute

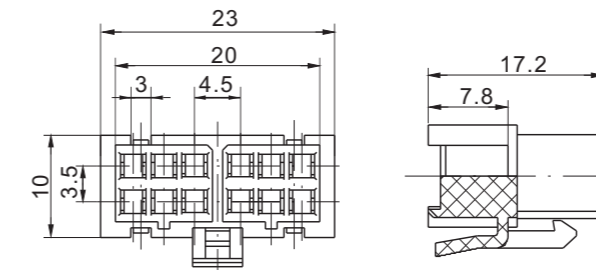


端子 TERMINAL



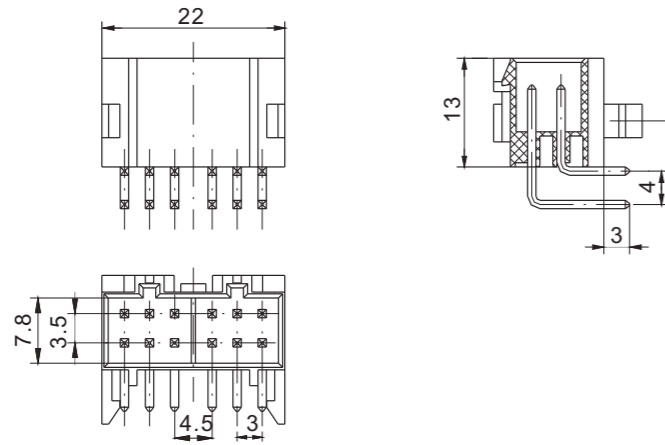
型号 Type	适用导线范围 Wire Range		导线外径 Wire ins.Dis
	mm ²	AWG#	
TJC21	0.08 ~ 0.33	28 ~ 22	1.2~1.9
材质·表面处理 Material and Finish			
磷青铜 Phos·bronze Tin·Plated			

阴连接器 HOUSING



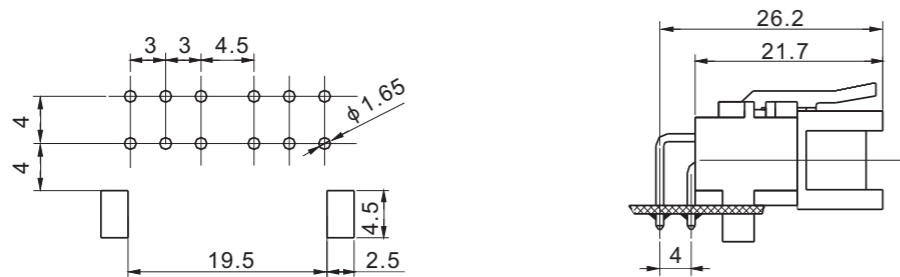
线数 Poles	型号 Type
12	TJC21-12Y
材质·表面处理 Material and Finish	
PA66 UL94V-0 · Black	

阳连接器 (弯式) WAFER (90°)



线数 Poles	型号 Type
12	TJC21-12A
材质·表面处理 Material and Finish	
PA66 UL94V-0 · Black; 黄铜 镀锡 Brass Tin · Plated	

安装尺寸 MOUNTING MEASUREMENT

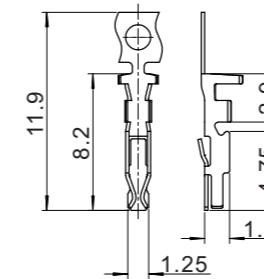


技术参数 (SPECIFICATIONS)

适用线规 (Applicable wires) : AWG28#~24#
 适应基板厚度 (Applicable PC board thickness) : 0.8~1.6 mm
 温度范围 (Temperature range) : -25°C~85°C
 额定电压 (Voltage rating) : 750V AC/DC
 额定电流 (Current rating) : 3A
 接触电阻 (Contact resistance) : ≤0.01Ω
 绝缘电阻 (Insulation resistance) : ≥1000MΩ
 耐电压 (Withstand voltage) : (Space2.5mm) 1500V AC/minute
 (Space6.5mm) 2500V AC/minute

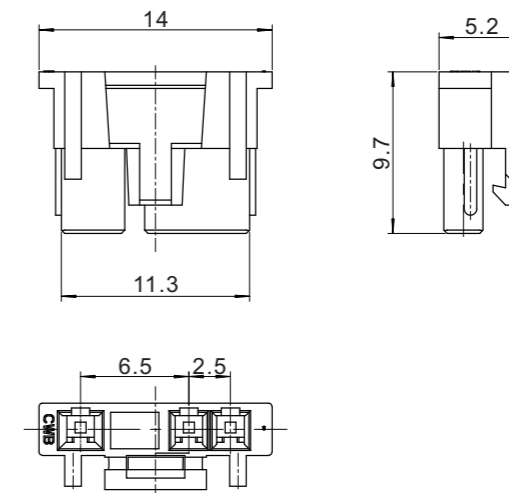


端子 TERMINAL



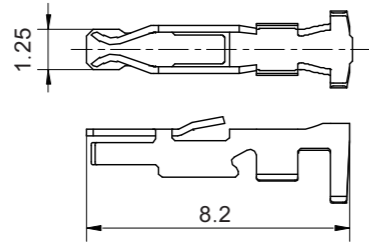
型号 Type	适用导线范围 Wire Range		导线外径 Wire ins.Dis
	mm ²	AWG#	
TJC58插簧	0.08~0.2	28~24	1.2~1.4
材质·表面处理 Material and Finish			
磷青铜 Phos·bronze Tin·Plated			

阴连接器 HOUSING



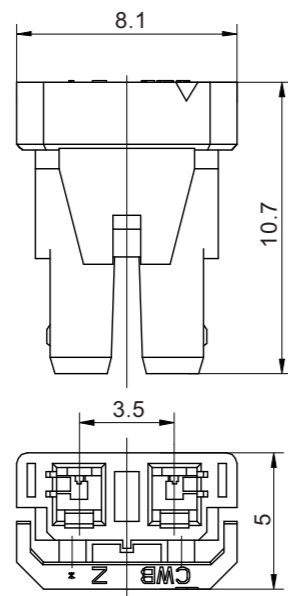
线数 Poles	型号 Type
3	TJC58-3Y
材质·表面处理 Material and Finish	
Pa66 UL94V-0 · White	

端子 TERMINAL

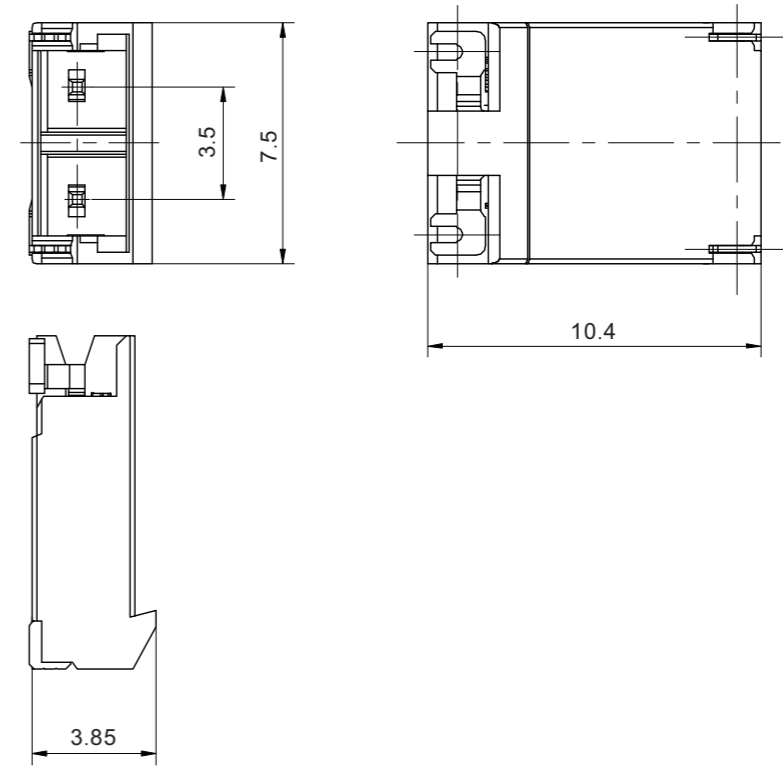


型号 Type	适用导线范围 Wire Range		导线外径 Wire ins. Dis
	mm ²	AWG#	
TJC58	0.08~0.2	28~24	1.2~1.4
材质·表面处理 Material and Finish			
磷青铜 Phos·bronze Tin·Plated			

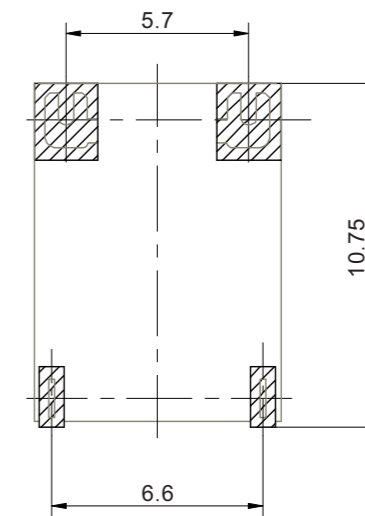
阴连接器 HOUSING



阳连接器 (直式) WAFER (180°)



安装尺寸 MOUNTING MEASUREMENT



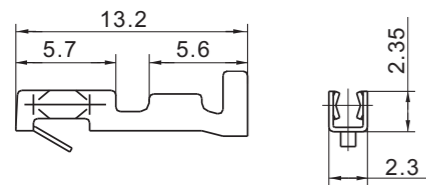


技术参数 (SPECIFICATIONS)

适用线规 (Applicable wires) : AWG26#~20#
 适应基板厚度 (Applicable PC board thickness) : 1.6mm
 温度范围 (Temprature range) : -25°C~85°C
 额定电压 (Voltage rating) : 250V AC/DC
 额定电流 (Current rating) : 3A
 接触电阻 (Contact resistance) : ≤0.01Ω
 绝缘电阻 (Insulation resistance) : ≥1000MΩ
 耐压 (Withstand voltage) : 1500V AC/minute

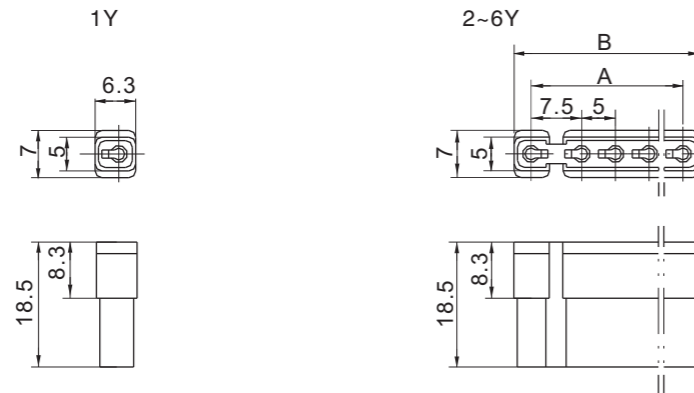
认证 (STANDARDS) : E200881

端子 TERMINAL



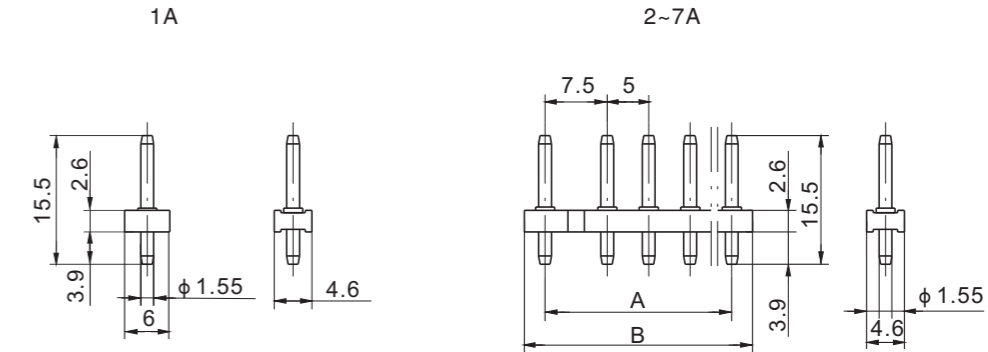
型号 Type	适用导线范围 Wire Range		导线外径 Wire ins.Dis
	mm ²	AWG#	
TJC2	0.13 ~ 0.58	26 ~ 20	1.3~2.7
材质 · 表面处理 Material and Finish			
磷青铜 Phos · bronze Tin · Plated			

阴连接器 HOUSING



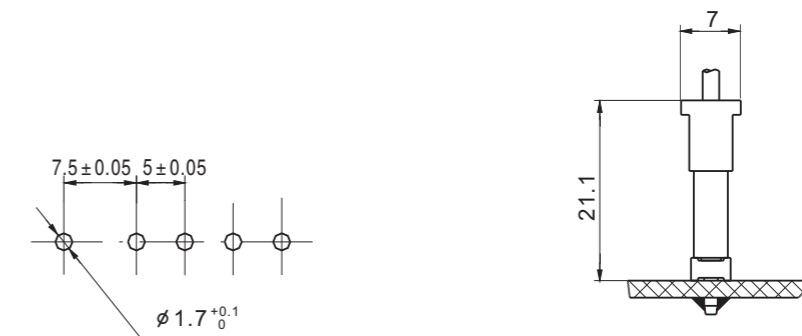
线数 Poles	型号 Type	尺寸 Dimensions(mm)	
		A	B
1	TJC2-1Y	/	/
2	TJC2-2Y	7.5	12.5
3	TJC2-3Y	12.5	17.5
4	TJC2-4Y	17.5	22.5
5	TJC2-5Y	22.5	27.5
6	TJC2-6Y	27.5	32.5
7	TJC2-7Y	32.5	37.5
材质 · 表面处理 Material and Finish		PA66 UL94V-0 · White PA66 UL94V-2 · White	

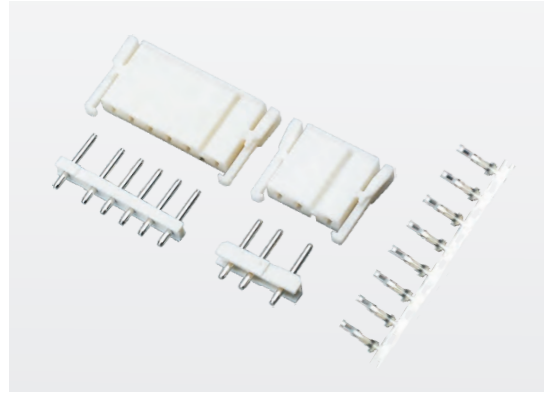
阳连接器 WAFER



线数 Poles	型号 Type	尺寸 Dimensions(mm)	
		A	B
1	TJC2-1A	/	/
2	TJC2-2A	7.5	12.5
3	TJC2-3A	12.5	17.5
4	TJC2-4A	17.5	22.5
5	TJC2-5A	22.5	27.5
6	TJC2-6A	27.5	32.5
7	TJC2-7A	32.5	37.5
材质 · 表面处理 Material and Finish		PA66 UL94V-0 · White; 黄铜 镀锡 Brass Tin · Plated PBT UL94V-0 · White; 黄铜 镀锡 Brass Tin · Plated PC UL94V-0 · White;	

安装尺寸 MOUNTING MEASUREMENT



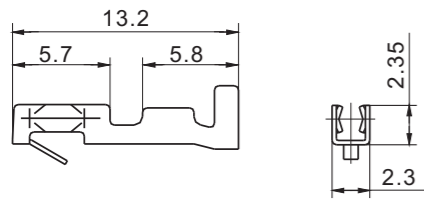


技术参数 (SPECIFICATIONS)

适用线规 (Applicable wires) : AWG26#~20#
 适应基板厚度 (Applicable PC board thickness) : 1.6mm
 温度范围 (Temprature range) : -25°C~85°C
 额定电压 (Voltage rating) : 250V AC/DC
 额定电流 (Current rating) : 3A
 接触电阻 (Contact resistance) : ≤0.01Ω
 绝缘电阻 (Insulation resistance) : ≥1000MΩ
 耐压 (Withstand voltage) : 1500V AC/minute

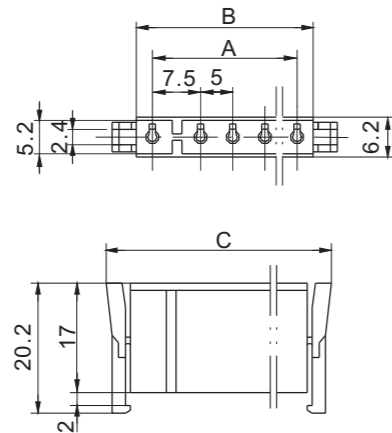
认证 (STANDARDS) : E200881

端子 TERMINAL



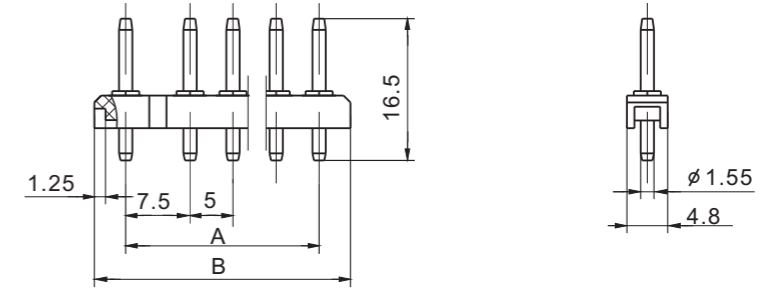
型号 Type	适用导线范围 Wire Range		导线外径 Wire ins.Dis
	mm ²	AWG#	
TJC2	0.13 ~ 0.52	26 ~ 20	1.3~2.7
材质 · 表面处理 Material and Finish			
磷青铜 Phos · bronze Tin · Plated			

阴连接器 HOUSING



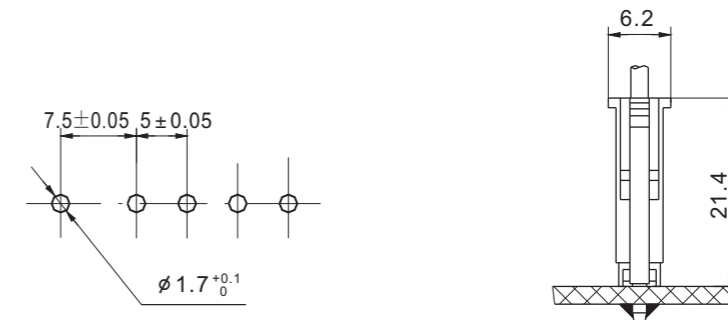
线数 Poles	型号 Type	尺寸 Dimensions(mm)		
		A	B	C
2	TJC2A-2Y	7.5	12.5	20
3	TJC2A-3Y	12.5	17.5	25
4	TJC2A-4Y	17.5	22.5	30
5	TJC2A-5Y	22.5	27.5	35
6	TJC2A-6Y	27.5	32.5	40
材质 · 表面处理 Material and Finish		PA66 UL94V-2 · White PA66 UL94V-0 · White		

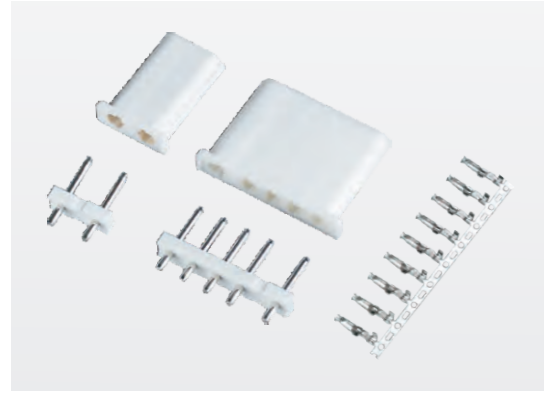
阳连接器 WAFER



线数 Poles	型号 Type	尺寸 Dimensions(mm)	
		A	B
2	TJC2A-2A	7.5	14.8
3	TJC2A-3A	12.5	19.8
4	TJC2A-4A	17.5	24.8
5	TJC2A-5A	22.5	29.8
6	TJC2A-6A	27.5	34.8
材质 · 表面处理 Material and Finish		PBT UL94V-0 · Black; 黄铜 镀锡 Brass Tin · Plated	

安装尺寸 MOUNTING MEASUREMENT



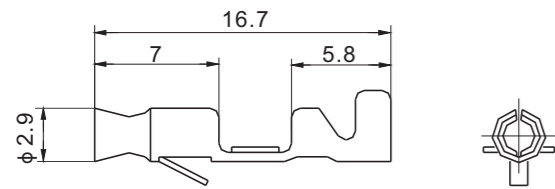


技术参数 (SPECIFICATIONS)

适用线规 (Applicable wires) : AWG26#~20#
 适应基板厚度 (Applicable PC board thickness) : 1.6mm
 温度范围 (Temperature range) : -25°C~85°C
 额定电压 (Voltage rating) : 250V AC/DC
 额定电流 (Current rating) : 3A
 接触电阻 (Contact resistance) : ≤0.01Ω
 绝缘电阻 (Insulation resistance) : ≥1000MΩ
 耐压 (Withstand voltage) : 1500V AC/minute

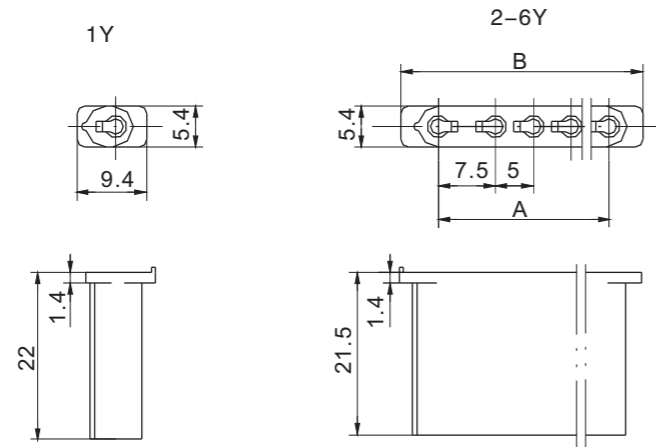
认证 (STANDARDS) : E200881

端子 TERMINAL



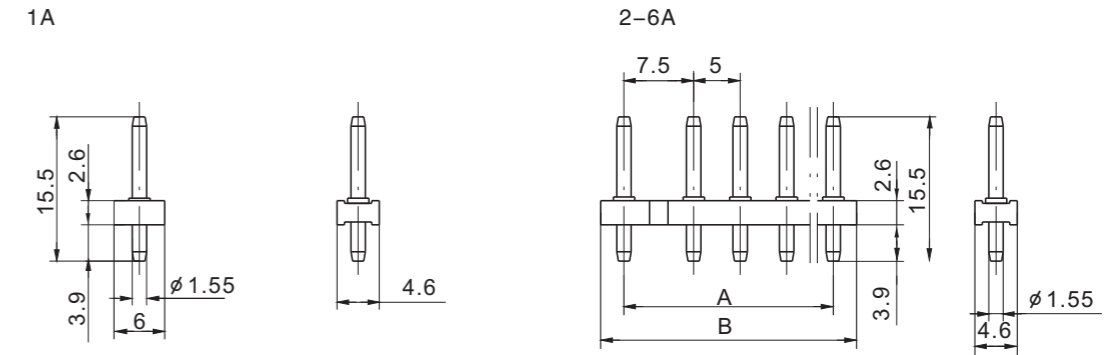
型号 Type	适用导线范围 Wire Range		导线外径 Wire ins.Dis
	mm ²	AWG#	
TJC2B	0.13 ~ 0.52	26 ~ 20	1.3~2.7
材质 · 表面处理 Material and Finish			
磷青铜 Phos · bronze Tin · Plated			

阴连接器 HOUSING



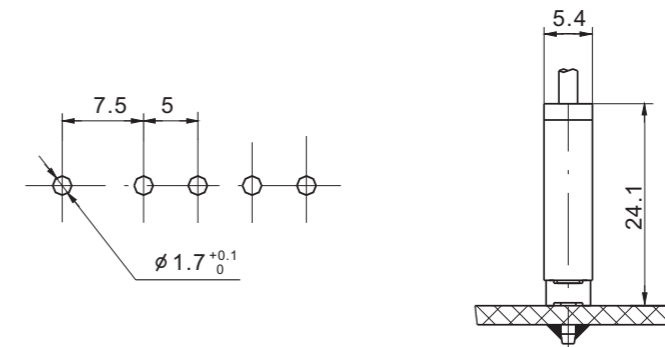
线数 Poles	型号 Type	尺寸 Dimensions(mm)	
		A	B
1	TJC2B-1Y	—	—
2	TJC2B-2Y	7.5	17
3	TJC2B-3Y	12.5	22
4	TJC2B-4Y	17.5	27
5	TJC2B-5Y	22.5	32
6	TJC2B-6Y	27.5	37
材质 · 表面处理 Material and Finish		PA66 UL94V-2 · White PA66 UL94V-0 · White	

阳连接器 WAFER



线数 Poles	型号 Type	尺寸 Dimensions(mm)	
		A	B
1	TJC2-1A	—	—
2	TJC2-2A	7.5	12.5
3	TJC2-3A	12.5	17.5
4	TJC2-4A	17.5	22.5
5	TJC2-5A	22.5	27.5
6	TJC2-6A	27.5	32.5
材质 · 表面处理 Material and Finish		PBT UL94V-2 · Black; Brass Tin · plated	

安装尺寸 MOUNTING MEASUREMENT



TJC2E-2Y 型连接器
TJC2E-2Y Connector

间距 (space) :7.5-5...5mm

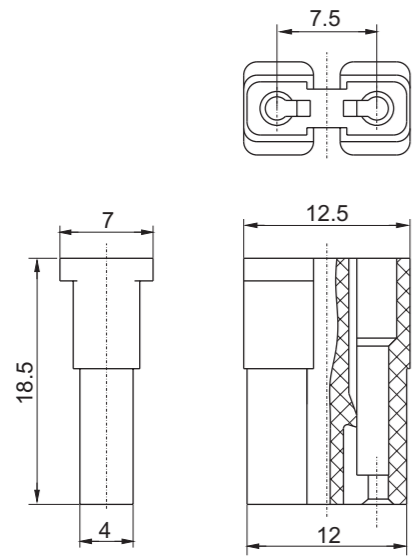
技术参数 (SPECIFICATIONS)

适配端子 (Applicable terminal):TJC2 插簧

线数 (Poles) : 2

材料 (Material):

阴连接器 Housing: PA66 UL94V-2 White



TJC2G-2Y 型连接器
TJC2G-2Y Connector

间距 (space) :7.5-5...5mm

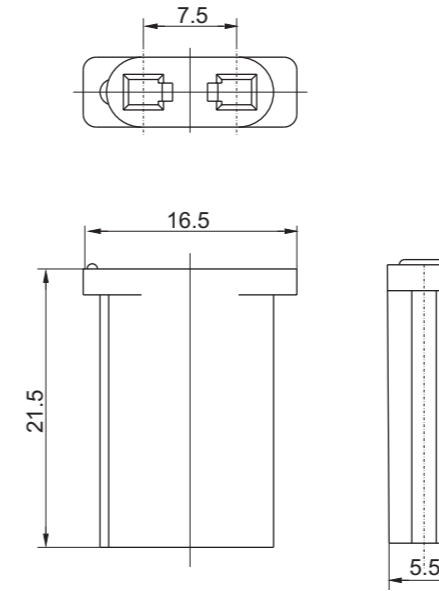
技术参数 (SPECIFICATIONS)

适配端子 (Applicable terminal):TJC2 插簧

线数 (Poles) : 2

材料 (Material):

阴连接器 Housing: PA66 UL94V-0 White



TJC2F-2Y 型连接器
TJC2F-2Y Connector

间距 (space) :7.5mm

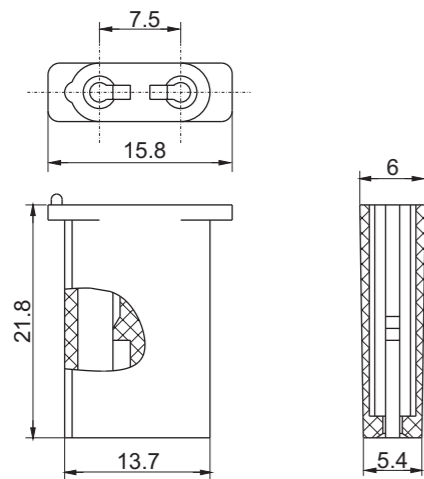
技术参数 (SPECIFICATIONS)

适配端子 (Applicable terminal):TJC2 插簧

线数 (Poles) : 2

材料 (Material):

阴连接器 Housing: PA66 UL94V-0



TJC2H-2Y 型连接器
TJC2H-2Y Connector

间距 (space) :7.5mm

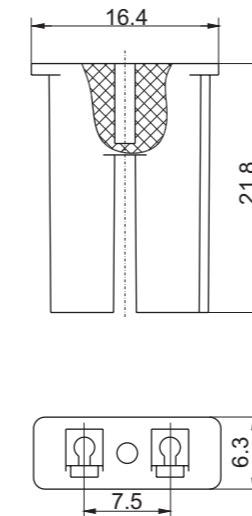
技术参数 (SPECIFICATIONS)

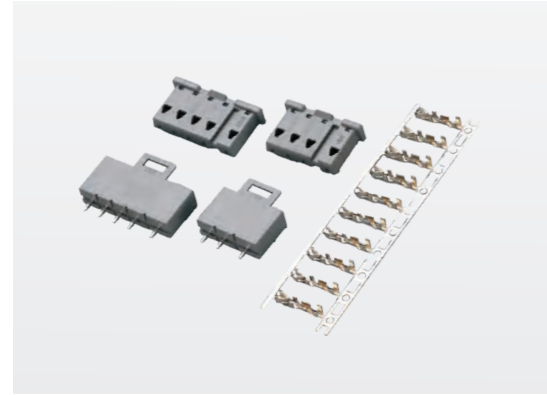
适配端子 (Applicable terminal):TJC2 插簧

线数 (Poles) : 2

材料 (Material):

阴连接器 Housing: PA66 UL94V-0 White



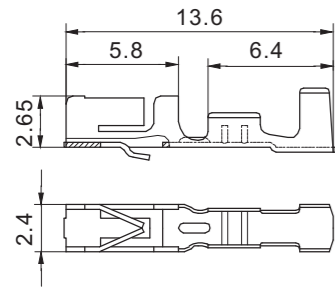


技术参数 (SPECIFICATIONS)

适用线规 (Applicable wires) : AWG28#~20#
 适应基板厚度 (Applicable PC board thickness) : 1.2mm~1.6mm
 温度范围 (Temperature range) : -25℃~85℃
 额定电压 (Voltage rating) : 250V AC/DC
 额定电流 (Current rating) : 3A
 接触电阻 (Contact resistance) : ≤0.02Ω
 绝缘电阻 (Insulation resistance) : ≥1000MΩ
 耐压 (Withstand voltage) : 800V AC/minute

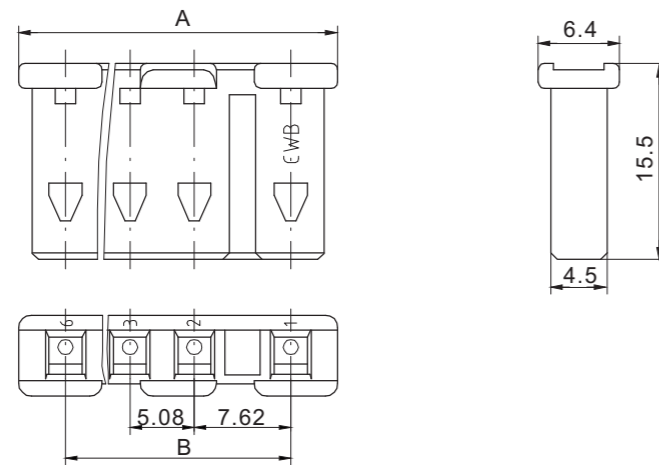
认证 (STANDARDS) : E200881

端子 TERMINAL



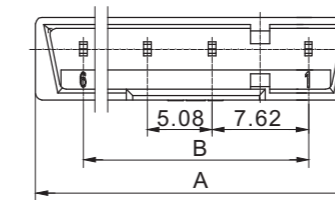
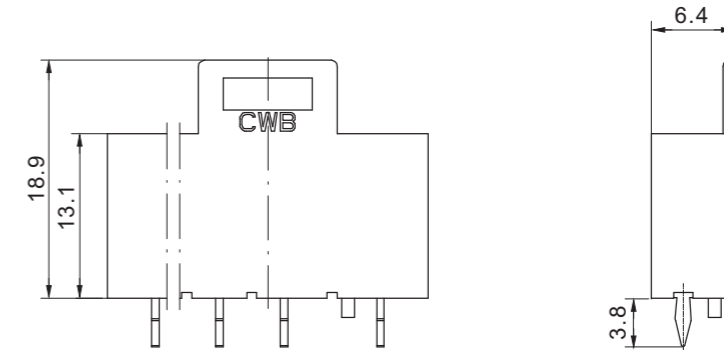
型号 Type	适用导线范围 Wire Range		导线外径 Wire ins.Dis
	mm ²	AWG#	
TJC52 插簧 1	0.08~0.22	28~24	1.2~1.6
TJC52 插簧 2	0.22~0.52	24~20	1.6~2.2
材质·表面处理 Material and Finish			
磷青铜 Phos·bronze Tin·Plated			

阴连接器 HOUSING



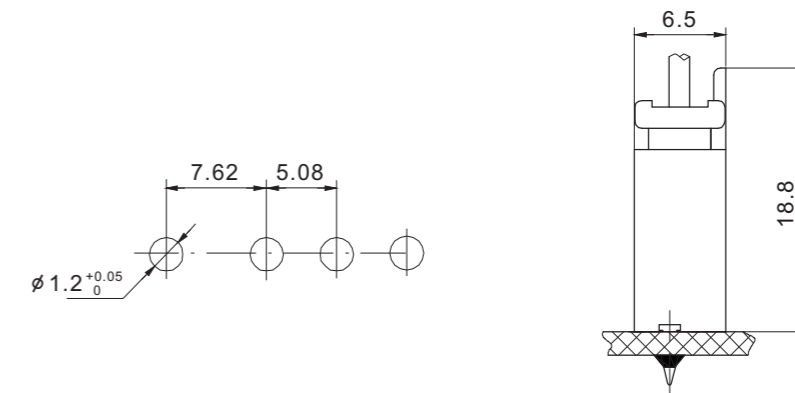
线数 Poles	型号 Type	尺寸 Dimensions(mm)	
		A	B
2	TJC52-2Y	15.12	7.62
3	TJC52-3Y	20.20	12.7
4	TJC52-4Y	25.28	17.78
5	TJC52-5Y	30.36	22.86
6	TJC52-6Y	35.44	27.94
材质·表面处理 Material and Finish		PPO UL94V-0 · Grey	

阳连接器 (直式) WAFER (180°)



线数 Poles	型号 Type	尺寸 Dimensions(mm)	
		A	B
2	TJC52-2A	15.0	7.62
3	TJC52-3A	20.1	12.70
4	TJC52-4A	25.2	17.78
5	TJC52-5A	30.3	22.86
6	TJC52-6A	35.4	27.94
材质·表面处理 Material and Finish		PPO UL94V-0 · Grey; 黄铜 镀锡 Brass Tin · Plated	

安装尺寸 MOUNTING MEASUREMENT

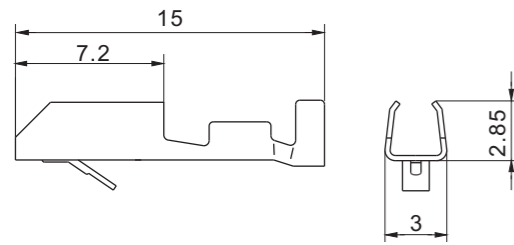




技术参数 (SPECIFICATIONS)

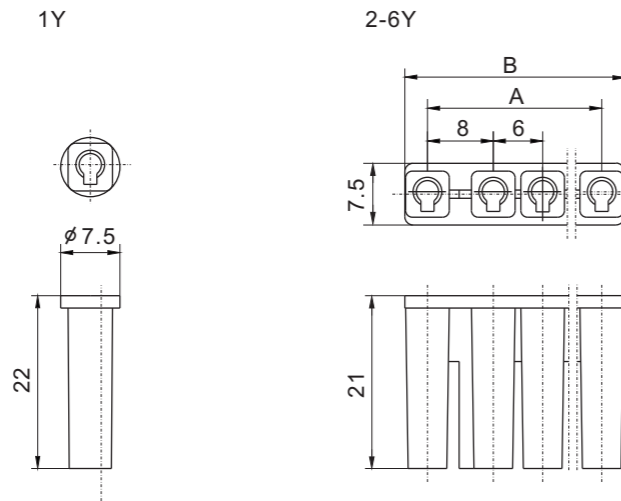
适用线规 (Applicable wires) : AWG24#~20#
 适应基板厚度 (Applicable PC board thickness) : 1.6mm
 温度范围 (Temprature range) : -25℃~85℃
 额定电压 (Voltage rating) : 250V AC/DC
 额定电流 (Current rating) : 3A
 接触电阻 (Contact resistance) : ≤0.01Ω
 绝缘电阻 (Insulation resistance) : ≥1000MΩ
 耐压 (Withstand voltage) : 1500V AC/minute
 认证 (STANDARDS) : E200881

端子 TERMINAL



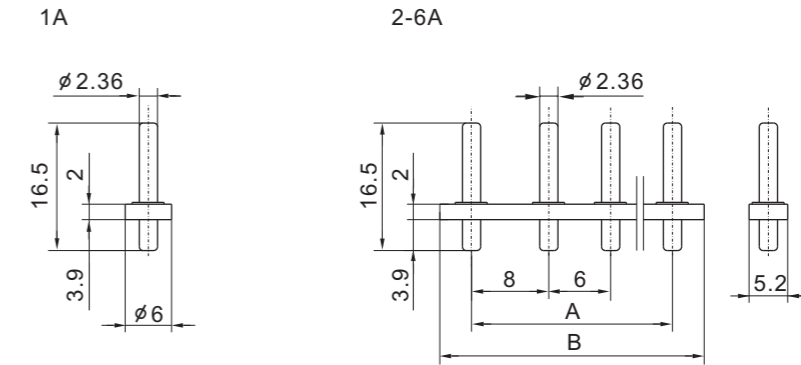
型号 Type	适用导线范围 Wire Range		导线外径 Wire ins.Dis
	mm ²	AWG#	
TJC1	0.2~0.5	24 ~ 20	1.6~2.7
材质·表面处理 Material and Finish			
磷青铜 Phos·bronze Tin·Plated			

阴连接器 HOUSING



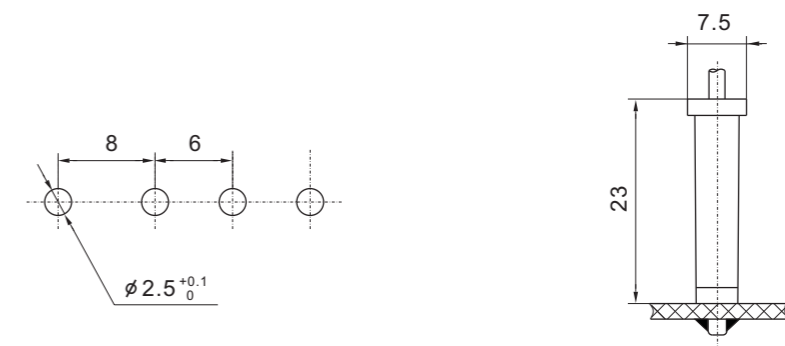
线数 Poles	型号 Type	尺寸 Dimensions(mm)	
		A	B
1	TJC4-1Y	—	—
2	TJC4-2Y	8.0	13.5
3	TJC4-3Y	14.0	19.5
4	TJC4-4Y	20.0	25.5
5	TJC4-5Y	26.0	31.5
6	TJC4-6Y	32.0	37.5
材质·表面处理 Material and Finish		PA66 UL94V-2 · Grey PA66 UL94V-0 · Grey	

阳连接器 WAFER



线数 Poles	型号 Type	尺寸 Dimensions(mm)	
		A	B
1	TJC4-1A	—	—
2	TJC4-2A	8.0	16.0
3	TJC4-3A	14.0	22.0
4	TJC4-4A	20.0	28.0
5	TJC4-5A	26.0	34.0
6	TJC4-6A	32.0	40.0
材质·表面处理 Material and Finish		PBT UL94V-2 · White; 黄铜 镀锡 Phos·bronze Tin·Plated	

安装尺寸 MOUNTING MEASUREMENT



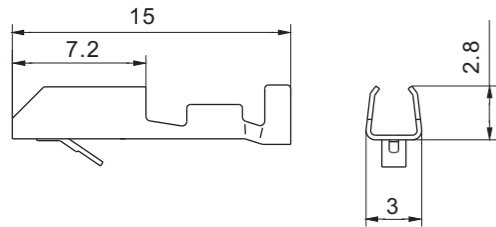


技术参数 (SPECIFICATIONS)

适用线规 (Applicable wires) : AWG24#~20#
 适应基板厚度 (Applicable PC board thickness) : 1.6mm
 温度范围 (Temprature range) : -25℃~85℃
 额定电压 (Voltage rating) : 250V AC/DC
 额定电流 (Current rating) : 3A
 接触电阻 (Contact resistance) : ≤0.01Ω
 绝缘电阻 (Insulation resistance) : ≥1000MΩ
 耐压 (Withstand voltage) : 1500V AC/minute

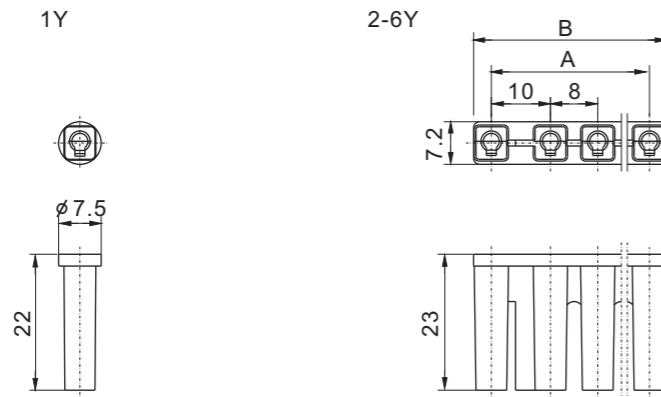
认证 (STANDARDS) : E200881

端子 TERMINAL



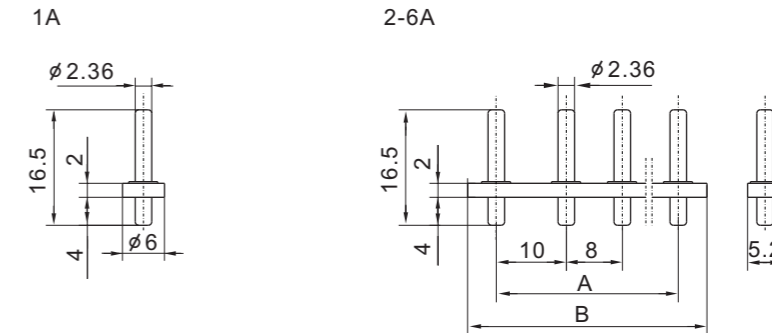
型号 Type	适用导线范围 Wire Range		导线外径 Wire ins.Dis
	mm ²	AWG#	
TJC1	0.2~0.5	24 ~ 20	1.6~2.7
材质 · 表面处理 Material and Finish			
磷青铜 Phos · bronze Tin · Plated			

阴连接器 HOUSING



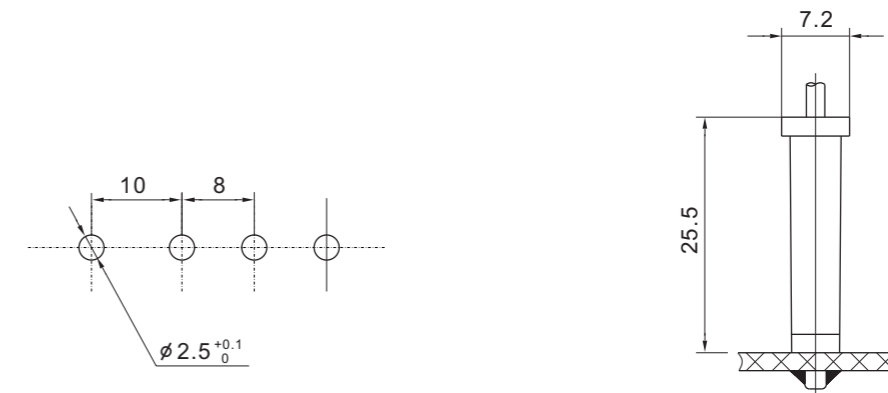
线数 Poles	型号 Type	尺寸 Dimensions(mm)	
		A	B
1	TJC1-1Y	—	—
2	TJC1-2Y	10.0	16.0
3	TJC1-3Y	18.0	24.0
4	TJC1-4Y	26.0	32.0
5	TJC1-5Y	34.0	40.0
6	TJC1-6Y	42.0	48.0
材质 · 表面处理 Material and Finish		PA66 UL94V-0 · Grey PA66 UL94V-2 · Grey	

阳连接器 WAFER



线数 Poles	型号 Type	尺寸 Dimensions(mm)	
		A	B
1	TJC1-1A	—	—
2	TJC1-2A	10.0	18.0
3	TJC1-3A	18.0	26.0
4	TJC1-4A	26.0	34.0
5	TJC1-5A	34.0	42.0
6	TJC1-6A	42.0	50.0
材质 · 表面处理 Material and Finish		PBT UL94V-0 · White; 黄铜 镀锡 Phos · bronze Tin · Plated	

安装尺寸 MOUNTING MEASUREMENT



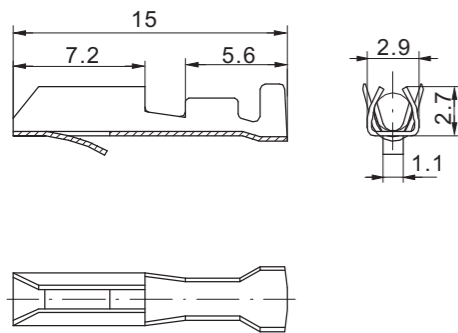


技术参数 (SPECIFICATIONS)

适用线规 (Applicable wires) : AWG24#~20#
 温度范围 (Temperature range) : -25°C~85°C
 额定电压 (Voltage rating) : 250V AC/DC
 额定电流 (Current rating) : 5A
 接触电阻 (Contact resistance) : $\leq 0.02\Omega$
 绝缘电阻 (Insulation resistance) : $\geq 1000M\Omega$
 耐压 (Withstand voltage) : 2200V AC/minute
 灼热丝测试 (Glow-wire test) : 850°C ;750°C no flame

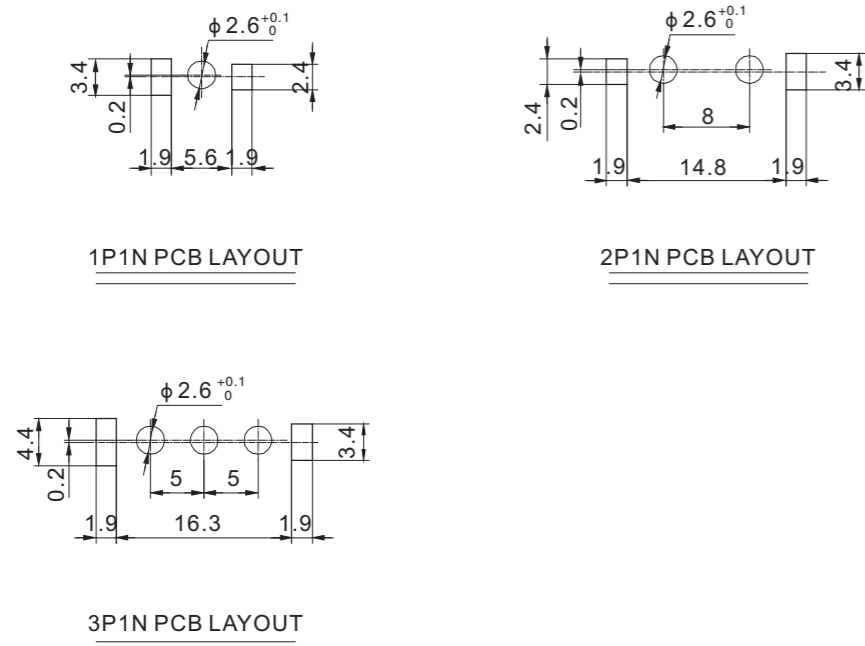
材料(Material):
 Housing:PC/PET UL94V-0
 Wafer:PC/PET UL94V-0;Brass Tin plated

端子 TERMINAL



型号 Type	适用导线范围 Wire Range		导线外径 Wire ins.Dis
	mm ²	AWG#	
TJC41 插簧	0.22~0.52	24 ~ 20	1.4~2.55
材质·表面处理 Material and Finish			
磷青铜 Phos·bronze Tin·plated			

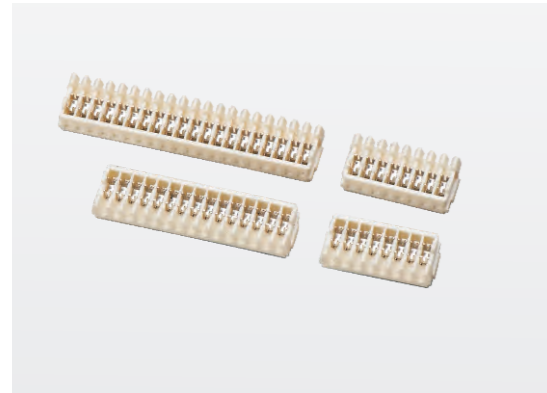
安装尺寸 MOUNTING MEASUREMENT



线数 Poles	阴连接器 Housing	阳连接器 Wafer
1	TJC46-1Y 	TJC46-1A
2	TJC46-2Y 	TJC46-2A
3	TJC46-3Y 	TJC46-3A

TJC1507型条形连接器
TJC1507 Bar Connector

间距 (space) : 1.5mm

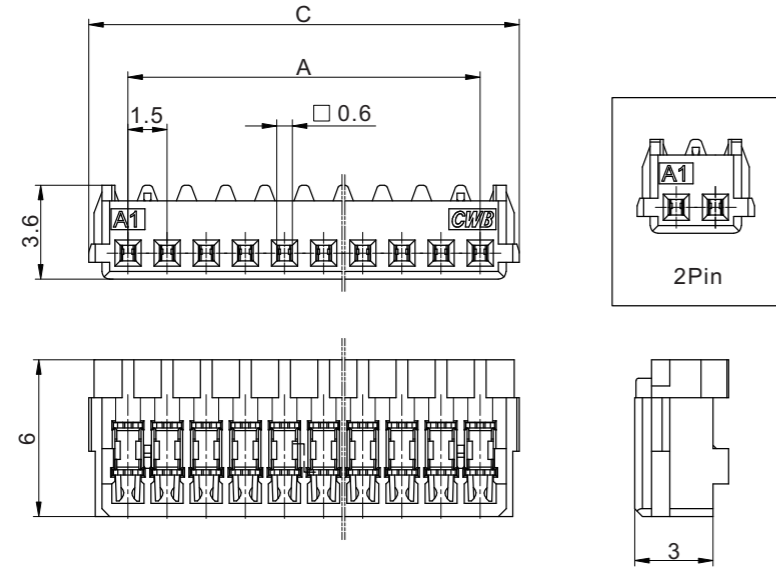


技术参数 (SPECIFICATIONS)

适用线规 (Applicable wires) : AWG28#~26#
 适应基板厚度 (Applicable PC board thickness) : 0.8~1.6 mm
 温度范围 (Temperature range) : -25°C~+85°C
 额定电压 (Voltage rating) : 50V AC/DC
 额定电流 (Current rating) : 1A(AWG 28);2A(AWG 26)
 接触电阻 (Contact resistance) : ≤0.02Ω
 绝缘电阻 (Insulation resistance) : ≥100MΩ
 耐电压 (Withstand voltage) : 500V AC/minute

认证 (STANDARDS) : E200881

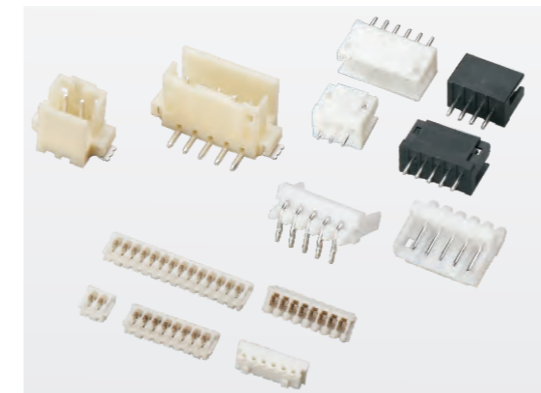
阳连接器IDC Connector(Insulation Displacement Contacts connector)



线数 Poles	型号 Type	尺寸Dimensions (mm)			线数 Poles	型号 Type	尺寸Dimensions (mm)		
		A	B	C			A	B	C
2	TJC1507-2Y	1.5	3.5	4.5	12	TJC1507-12Y	16.5	18.5	19.5
3	TJC1507-3Y	3.0	5.0	6.0	13	TJC1507-13Y	18.0	20.0	21.0
4	TJC1507-4Y	4.5	6.5	7.5	14	TJC1507-14Y	19.5	21.5	22.5
5	TJC1507-5Y	6.0	8.0	9.0	15	TJC1507-15Y	21.0	23.0	24.0
6	TJC1507-6Y	7.5	9.5	10.5	16	TJC1507-16Y	22.5	24.5	25.5
7	TJC1507-7Y	9.0	11.0	12.0	17	TJC1507-17Y	24.0	26.0	27.0
8	TJC1507-8Y	10.5	12.5	13.5	18	TJC1507-18Y	25.5	27.5	28.5
9	TJC1507-9Y	12.0	14.0	15.0	19	TJC1507-19Y	27.0	29.0	30.0
10	TJC1507-10Y	13.5	15.5	16.5	20	TJC1507-20Y	28.5	30.5	31.5
11	TJC1507-11Y	15.0	17.0	18.0					
材质 · 表面处理 Material and Finish		PA66 UL94V_0 · White							
		磷青铜 Phos · bronze Tin · Plating							

TJC20041&TJC20027&TJC20035&TJC20045&TJC20047&TJC20052型条形连接器
TJC20041&TJC20027&TJC20035&TJC20045&TJC20047&TJC20052 Bar Connector

间距 (space) : 2.0mm

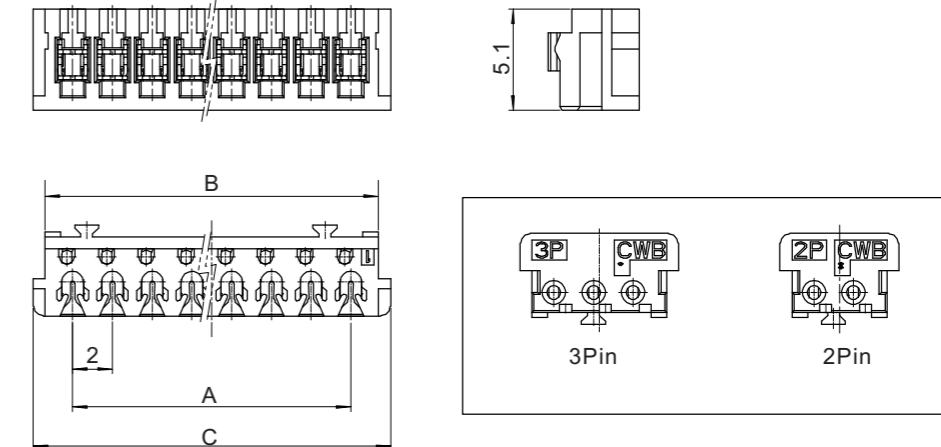


技术参数 (SPECIFICATIONS)

适用线规 (Applicable wires) : AWG28#~26#
 温度范围 (Temperature range) : -30°C~+105°C
 额定电压 (Voltage rating) : 125V AC/DC
 额定电流 (Current rating) : 1A(AWG 28);2A(AWG 26)
 接触电阻 (Contact resistance) : ≤0.01Ω
 绝缘电阻 (Insulation resistance) : ≥1000MΩ
 耐电压 (Withstand voltage) : 1000V AC/minute

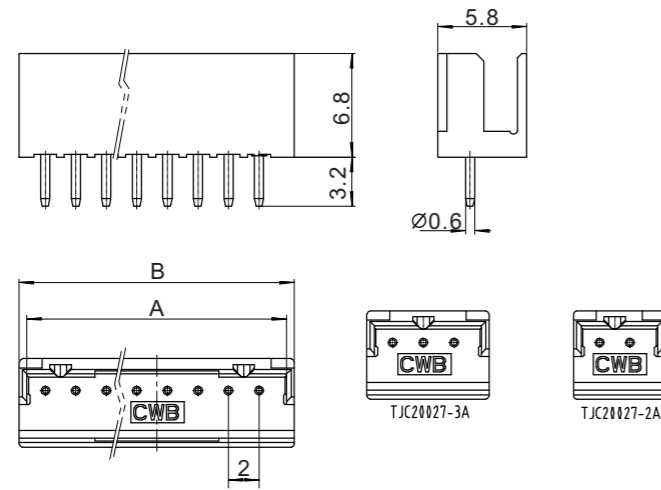
认证 (STANDARDS) : E200881

阴连接器IDC Connector(Insulation Displacement Contacts connector)



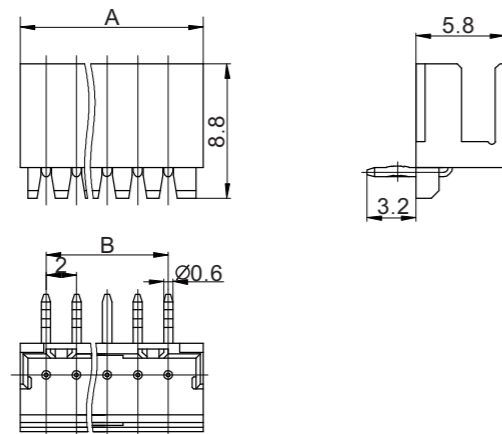
线数 Poles	型号 Type	尺寸Dimensions (mm)			线数 Poles	型号 Type	尺寸Dimensions (mm)		
		A	B	C			A	B	C
2	TJC20041-2Y	2.0	4.8	6.0	9	TJC20041-9Y	16.0	18.8	20.0
3	TJC20041-3Y	4.0	6.8	8.0	10	TJC20041-10Y	18.0	20.8	22.0
4	TJC20041-4Y	6.0	8.8	10.0	11	TJC20041-11Y	20.0	22.8	24.0
5	TJC20041-5Y	8.0	10.8	12.0	12	TJC20041-12Y	22.0	24.8	26.0
6	TJC20041-6Y	10.0	12.8	14.0	13	TJC20041-13Y	24.0	26.8	28.0
7	TJC20041-7Y	12.0	14.8	16.0	14	TJC20041-14Y	26.0	28.8	30.0
8	TJC20041-8Y	14.0	16.8	18.0	15	TJC20041-15Y	28.0	30.8	32.0
材质 · 表面处理 Material and Finish		PBT UL94V-0 · White							
		磷青铜 Phos · bronze Tin · Plating							

阳连接器(180°)Wafer



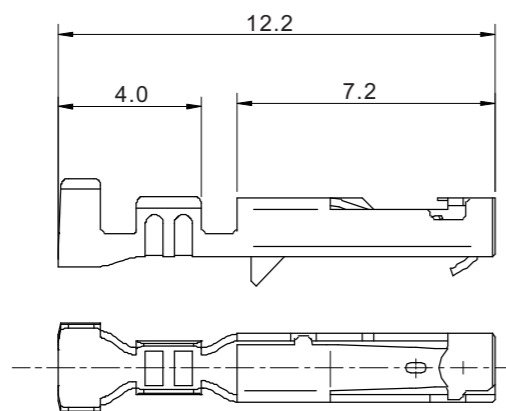
线数 Poles	型号 Type	尺寸Dimensions (mm)		线数 Poles	型号 Type	尺寸Dimensions (mm)	
		A	B			A	B
2	TJC20027-2A	5.0	6.0	9	TJC20027-9A	19.0	20.0
3	TJC20027-3A	7.0	8.0	10	TJC20027-10A	21.0	22.0
4	TJC20027-4A	9.0	10.0	11	TJC20027-11A	23.0	24.0
5	TJC20027-5A	11.0	12.0	12	TJC20027-12A	25.0	26.0
6	TJC20027-6A	13.0	14.0	13	TJC20027-13A	27.0	28.0
7	TJC20027-7A	15.0	16.0	14	TJC20027-14A	29.0	30.0
8	TJC20027-8A	17.0	18.0	15	TJC20027-15A	31.0	32.0
材质·表面处理 Material and Finish PA66 UL94V-0·White							
黄铜 Brass Tin·Plating							

阳连接器(90°)Wafer



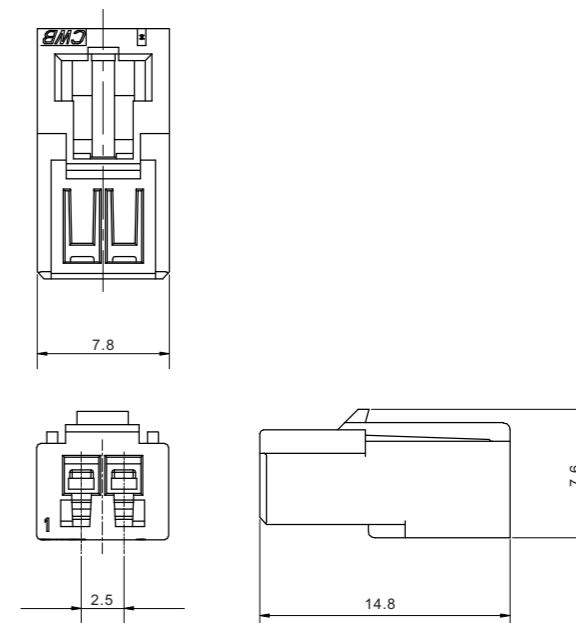
线数 Poles	型号 Type	尺寸Dimensions (mm)		线数 Poles	型号 Type	尺寸Dimensions (mm)	
		A	B			A	B
5	TJC20027-5AWJ	11.9	8.0	9	TJC20027-10AWJ	21.9	18.0
5	TJC20027-5AWJ-BL	11.9	8.0	10	TJC20027-11AWJ	23.9	20.0
5	TJC20027-6AWJ	13.9	10.0	11	TJC20027-12AWJ	25.9	22.0
5	TJC20027-7AWJ	15.9	12.0	12	TJC20027-13AWJ	27.9	24.0
6	TJC20027-7AWJ-BL	15.9	12.0	13	TJC20027-14AWJ	29.9	26.0
7	TJC20027-8AWJ	17.9	14.0	14	TJC20027-15AWJ	31.9	28.0
8	TJC20027-9AWJ	19.9	16.0				
材质·表面处理 Material and Finish PA66 UL94V-0·White							
黄铜 Brass Tin·Plating							

端子 Contact



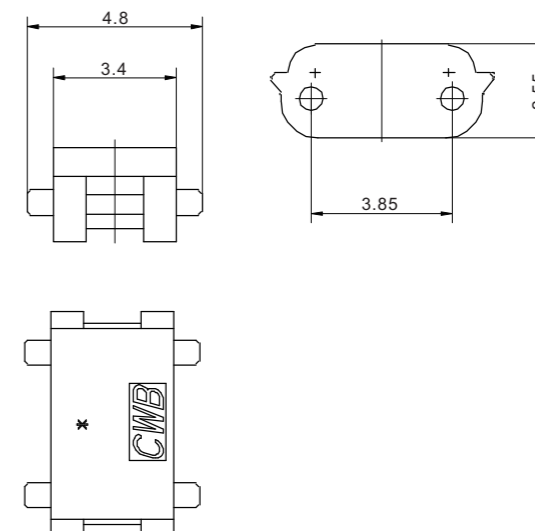
型号 Type	适用导线范围 Wire Range		导线外径 Wire ins.Dis
	mm ²	AWG#	
TJC25035	0.08~0.33	28~22	1.2~1.6
材质·表面处理 Material and Finish			
磷青铜 Phos·bronze Tin·Plating			

阴连接器 HOUSING



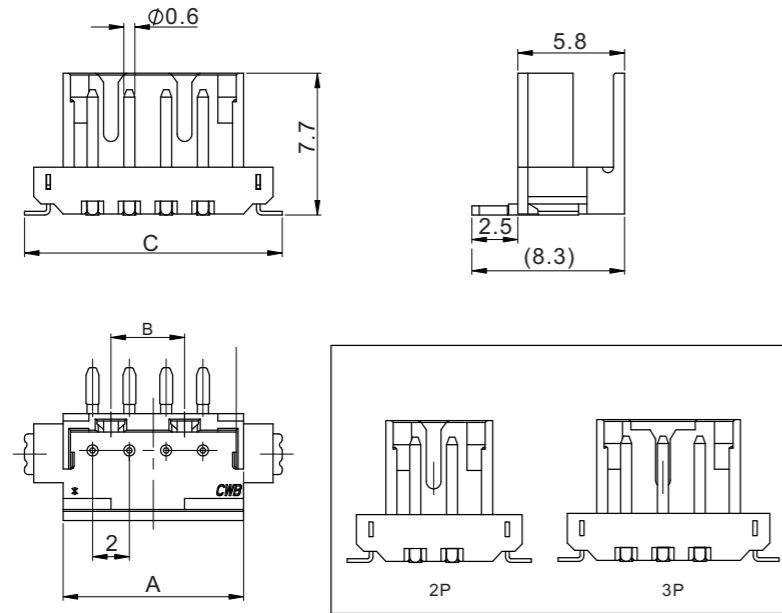
线数 Poles	型号 Type
2	TJC25035-2Y
材质·表面处理 Material and Finish PA66 UL94V-0·White	

锁紧片 Lock plate

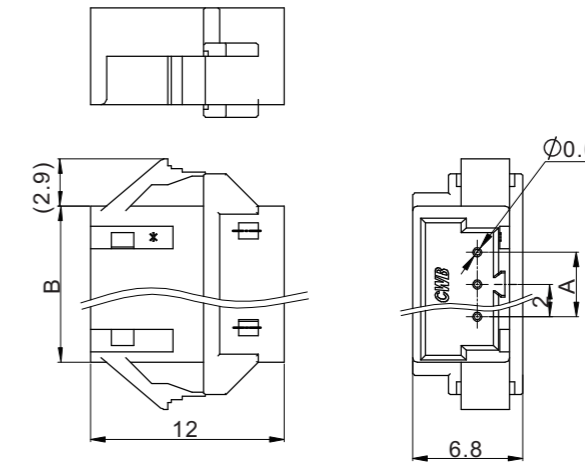


线数 Poles	型号 Type
2	TJC25035-2YS
材质·表面处理 Material and Finish PBT UL94V-0·White	

阳连接器WAFER



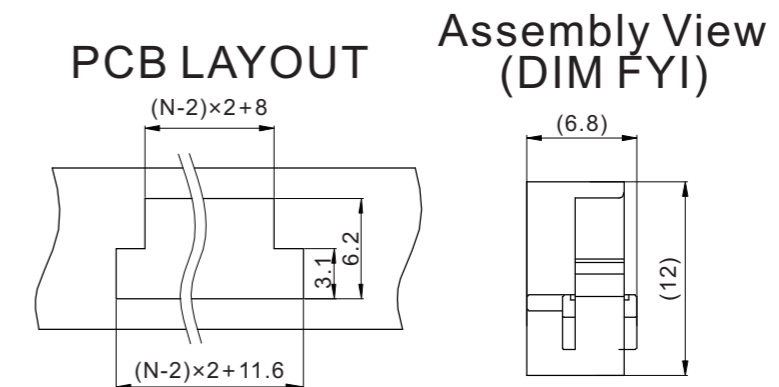
阳连接器Wafer(180°)



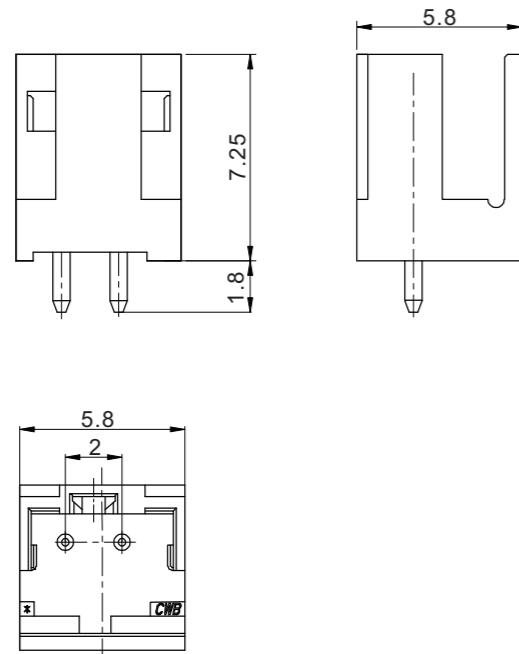
线数 Poles	型号 Type	尺寸Dimensions (mm)		线数 Poles	型号 Type	尺寸Dimensions (mm)	
		A	B			A	B
2	TJC20047-2A	2	7.7	8	TJC20047-3A	4	9.7
材质·表面处理 Material and Finish PA66 UL94 V-0 黄铜 Brass Tin·Plating							

线数 Poles	型号 Type	尺寸Dimensions (mm)			线数 Poles	型号 Type	尺寸Dimensions (mm)		
		A	B	C			A	B	C
2	TJC20045-2AW	5.8		10.0	9	TJC20045-9AW	19.8	14.0	24.0
3	TJC20045-3AW	7.8		12.0	10	TJC20045-10AW	21.8	16.0	26.0
4	TJC20045-4AW	9.8	4.0	14.0	11	TJC20045-11AW	23.8	18.0	28.0
5	TJC20045-5AW	11.8	6.0	16.0	12	TJC20045-12AW	25.8	20.0	30.0
6	TJC20045-6AW	13.8	8.0	18.0	13	TJC20045-13AW	27.8	22.0	32.0
7	TJC20045-7AW	15.8	10.0	20.0	14	TJC20045-14AW	29.8	24.0	34.0
8	TJC20045-8AW	17.8	12.0	22.0	15	TJC20045-15AW	31.8	26.0	36.0
材质·表面处理 Material and Finish PBT UL94V_0·White									

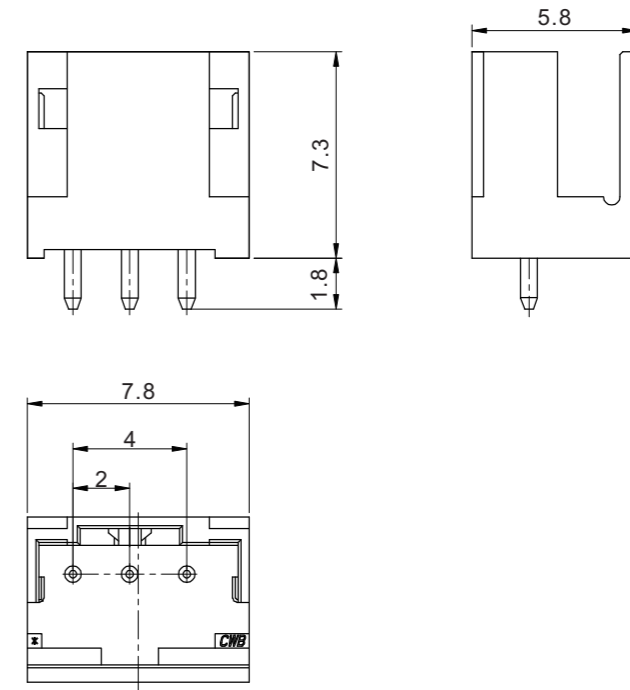
安装尺寸 MOUNTING MEASUREMENT



阳连接器Wafer

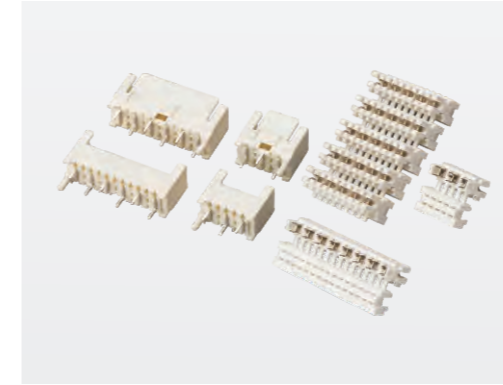
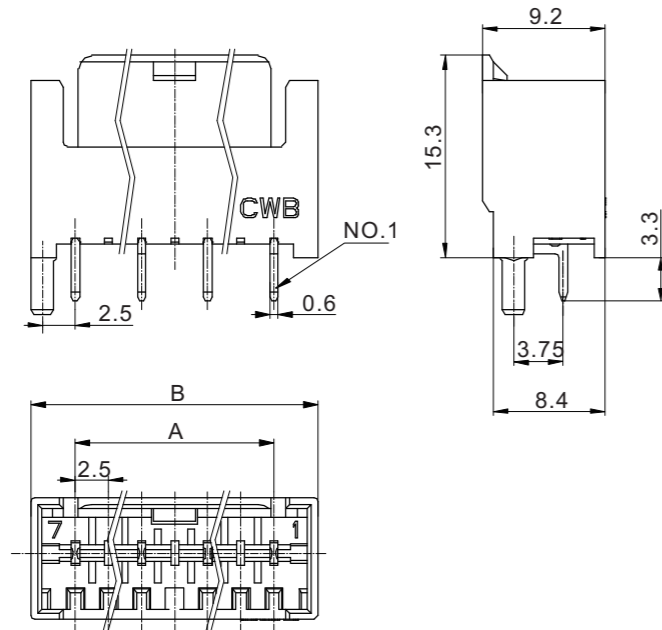


线数 Poles	型号 Type
2	TJC20052-2A
材质·表面处理 Material and Finish PA66 UL94V-0 ; 黄铜 镀锡 Brass Tin · Plated	



线数 Poles	型号 Type
2	TJC20052-2A
材质·表面处理 Material and Finish PA66 UL94V-0 ; 黄铜 镀锡 Brass Tin · Plated	

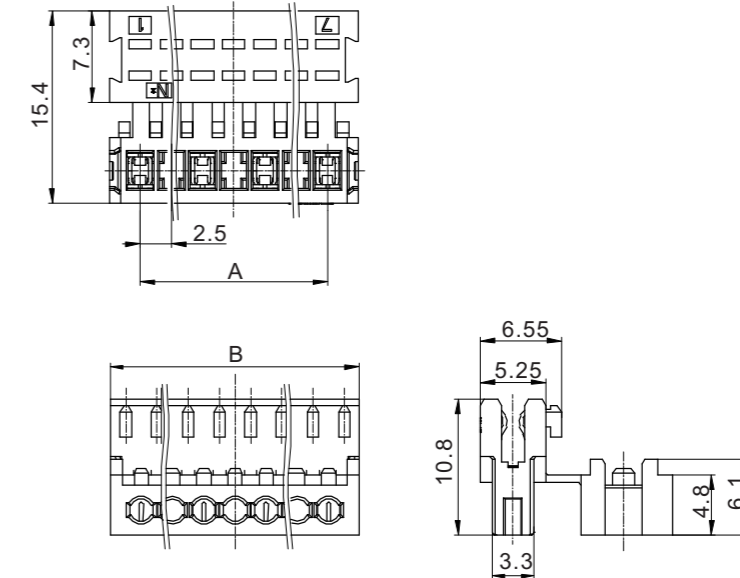
阳连接器 Header



技术参数 (SPECIFICATIONS)

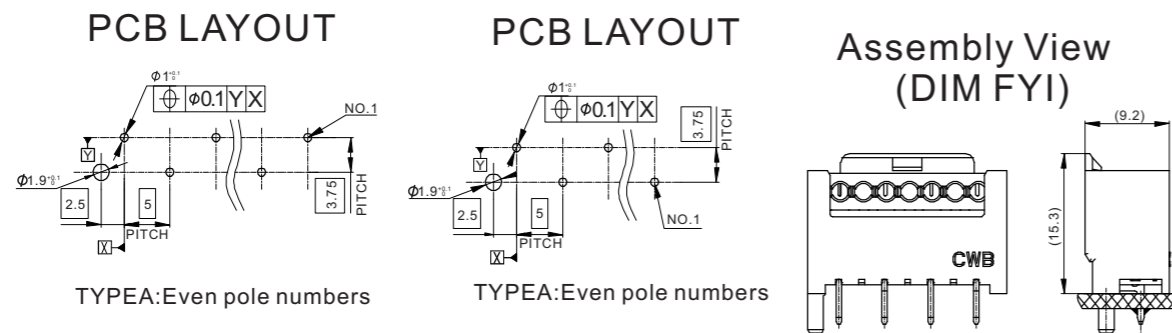
- 适用线规 (Applicable wires) : AWG22#
- 适应基板厚度 (Applicable PC board thickness) : 1.6 mm
- 温度范围 (Temperature range) : -40℃~+120℃
- 额定电压 (Voltage rating) : 250V AC/DC
- 额定电流 (Current rating) : 3A
- 接触电阻 (Contact resistance) : ≤0.01Ω
- 绝缘电阻 (Insulation resistance) : ≥1000MΩ
- 耐压 (Withstand voltage) : 1000V AC/minute

阴连接器 HOUSING

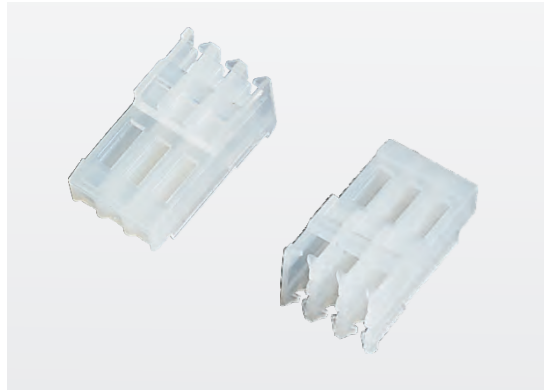


线数 Poles	型号 Type	尺寸 Dimensions (mm)		线数 Poles	型号 Type	尺寸 Dimensions (mm)	
		A	B			A	B
3	TJC25028-3AD2Z 少 2#	5.0	11.7	9	TJC25028-9AD5Z 少 2、 4、6、8#	20.0	26.7
5	TJC25028-5AD4Z 少 2、4#	10.0	16.7	11	TJC25028-11AD7Z 少 2、4、6、8、10	25.0	31.7
7	TJC25028-7AD4Z 少 2、4、6#	15.0	21.7	13	TJC25028-13AD7Z 少 2、4、6、8、10、12#	30.0	36.7
材质·表面处理 Material and Finish PA66 UL94V-0 黄铜 Brass Tin·Plating							

安装尺寸 MOUNTING MEASUREMENT



线数 Poles	型号 Type	尺寸 Dimensions (mm)		线数 Poles	型号 Type	尺寸 Dimensions (mm)	
		A	B			A	B
3	TJC25028-3Y2P 少 2#	5.0	9.9	11	TJC25028-11Y6P 少 2、 4、6、8、10#	25.0	29.9
5	TJC25028-5Y3P 少 2、4#	10.0	14.9	13	TJC25028-13Y7P 少 2、 4、6、8、10、12#	30.0	34.9
7	TJC25028-7Y4P 少 2、4、6#	15.0	19.9	15	TJC25028-15Y8P 少 2、 4、6、8、10、12、14#	35.0	39.9
9	TJC25028-9Y5P 少 2、4、6、8#	20.0	24.9				
材质·表面处理 Material and Finish PA66 UL94V-0 磷铜 镀锡 Phos·bronze Tin·Plating							



技术参数 (SPECIFICATIONS)

温度范围 (Temperature range) : -25°C~85°C

额定电压 (Voltage rating) : 250V AC/DC

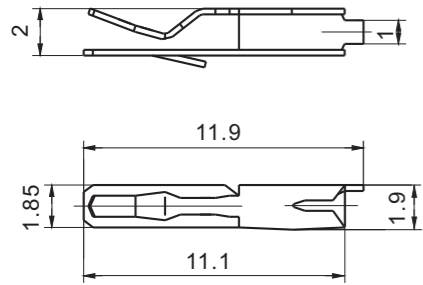
额定电流 (Current rating) : 3A

材料 (Material) :

端子 TERMINAL : 磷青铜 Phos.Bronze

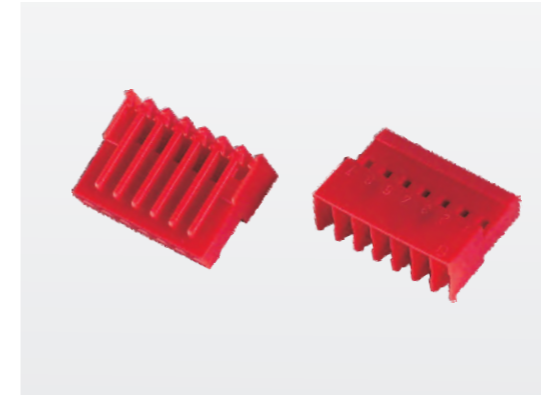
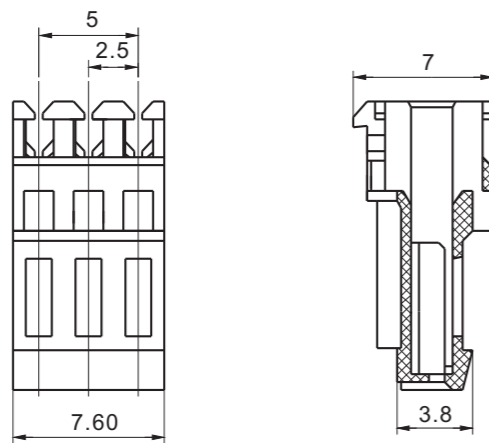
阴连接器 HOUSING : PA66 (半透明)

端子 TERMINAL



型号 Type	适用导线范围 Wire Range		导线外径 Wire ins.Dis
	mm ²	AWG#	
TJC2502	0.08 ~ 0.2	28 ~ 24	1.2~1.9

阴连接器 HOUSING



技术参数 (SPECIFICATIONS)

温度范围 (Temperature range) : -25°C~85°C

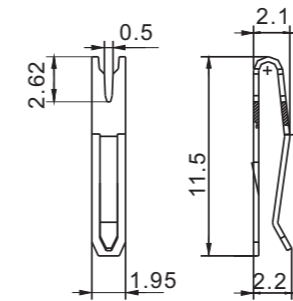
额定电流 (Current rating) : 3A

材料 (Material) :

端子 TERMINAL : 磷青铜 Phos.Bronze

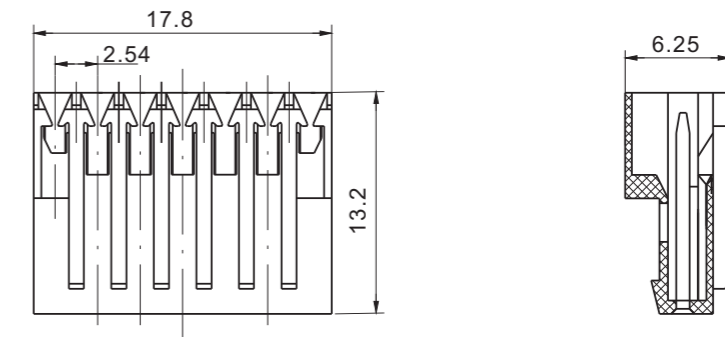
阴连接器 HOUSING : PA66 RED

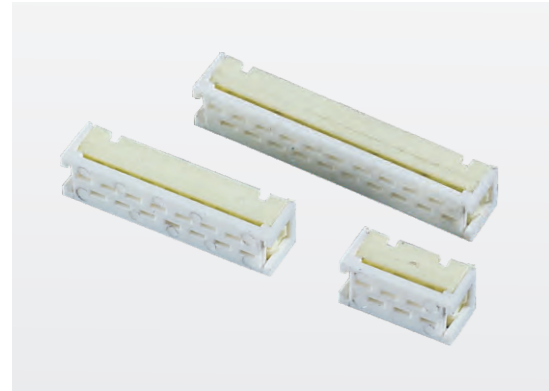
端子 TERMINAL



型号 Type	适用导线范围 Wire Range		导线外径 Wire ins.Dis
	mm ²	AWG#	
TJC2542	0.08 ~ 0.2	28 ~ 24	1.2~1.9

阴连接器 HOUSING

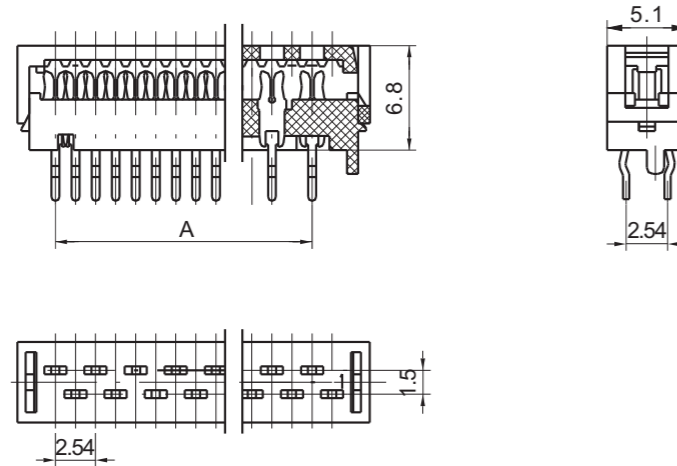




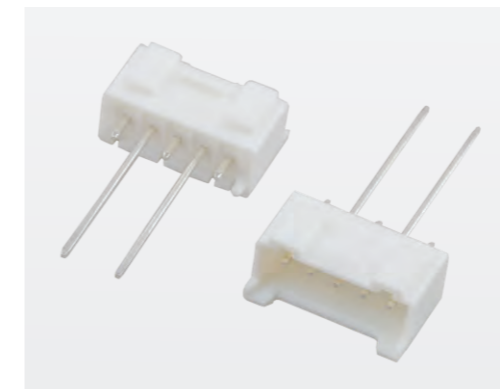
技术参数 (SPECIFICATIONS)

温度范围 (Temperature range) : -25°C~85°C

阴连接器 HOUSING



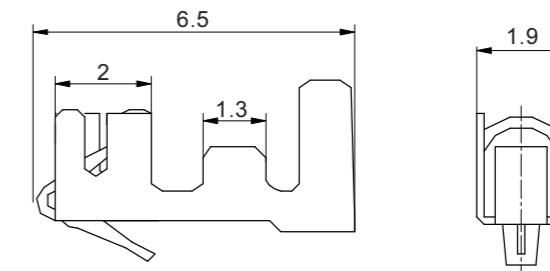
线数 Poles	型号 Type	尺寸 Dimensions(mm)	
		A	
4	TJC2544-4Y	3.81	
6	TJC2544-6Y	6.35	
8	TJC2544-8Y	8.89	
10	TJC2544-10Y	11.43	
12	TJC2544-12Y	13.97	
14	TJC2544-14Y	16.51	
16	TJC2544-16Y	19.05	
18	TJC2544-18Y	21.59	
20	TJC2544-20Y	24.13	
材质·表面处理 Material and Finish		PBT·White; 黄铜 镀锡 Brass Tin·Plated	



技术参数 (SPECIFICATIONS)

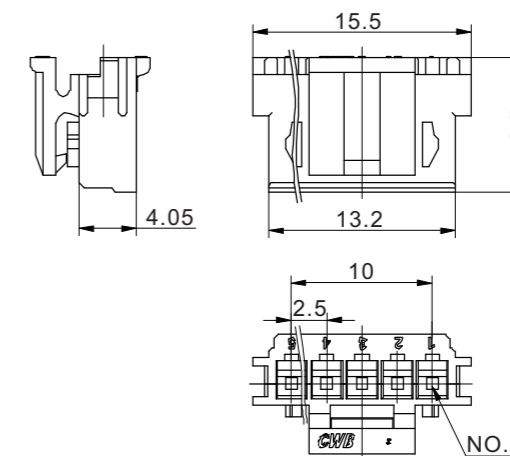
适用线规 (Applicable wires) : AWG28#~AWG22#
 适应基板厚度 (Applicable PC board thickness) : 1.6 mm
 温度范围 (Temperature range) : -40°C~+105°C
 额定电压 (Voltage rating) : 250V AC/DC
 额定电流 (Current rating) : 3A
 接触电阻 (Contact resistance) : ≤0.01Ω
 绝缘电阻 (Insulation resistance) : ≥1000MΩ
 耐压 (Withstand voltage) : 1500V AC/minute

端子 Contact



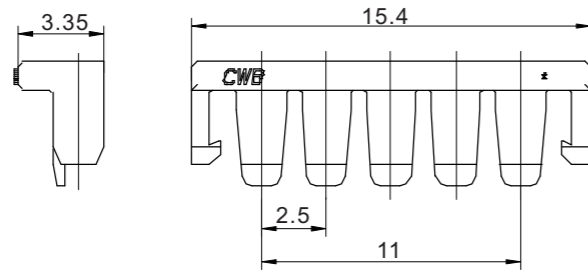
型号 Type	适用导线范围 Wire Range		导线外径 Wire ins.Dis
	mm ²	AWG#	
TJC3	0.08~0.32	22~28	1.2~1.6
材质·表面处理 Material and Finish			
磷青铜 Phos·bronze Tin·Plating			

阴连接器 HOUSING



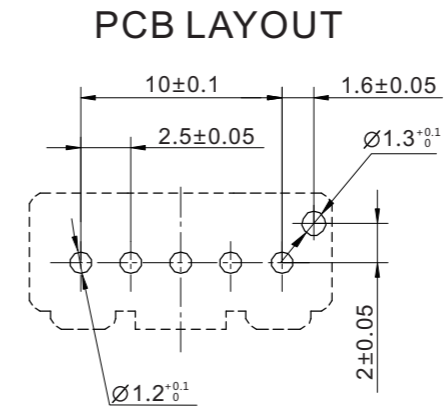
线数 Poles	型号 Type
5	TJC25030-5Y
材质·表面处理 Material and Finish PA66 UL94V-0	

锁紧片 Lock plate

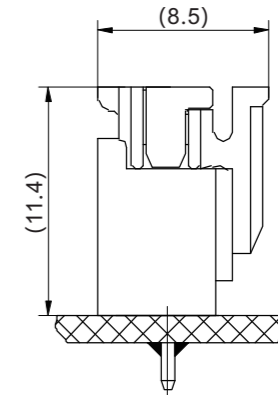


线数 Poles	型号 Type
5	TJC25030-5YS
材质·表面处理 Material and Finish PA66 UL94V-0	

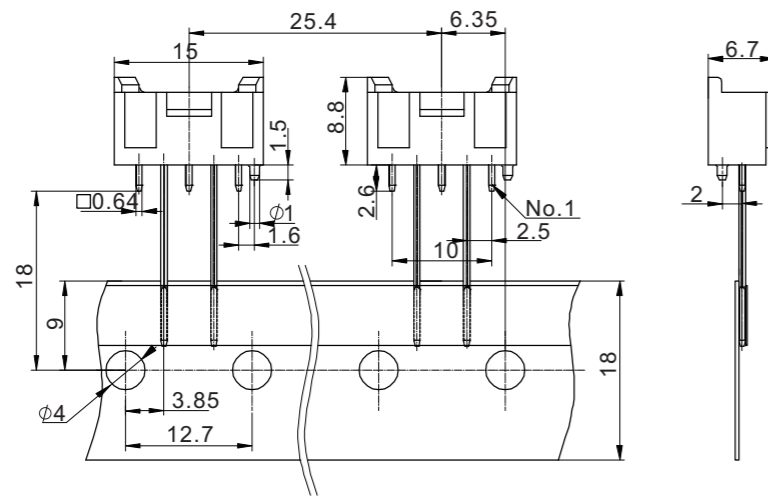
安装尺寸 MOUNTING MEASUREMENT



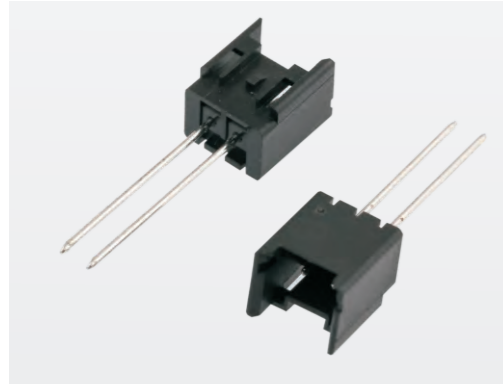
Assembly View
(DIM FYI)



阳连接器 Wafer



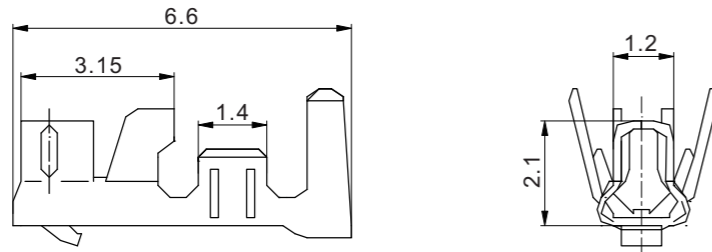
线数 Poles	型号 Type
5	TJC25053-5A
材质·表面处理 Material and Finish PA66 UL94V-0 黄铜 镀锡 Brass Tin·Plating	



技术参数 (SPECIFICATIONS)

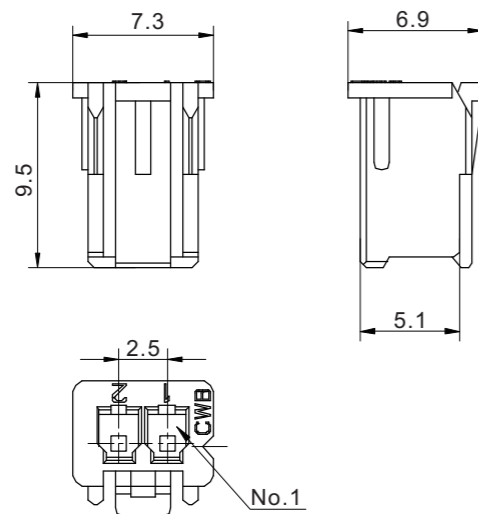
适用线规 (Applicable wires) : AWG28#~AWG22#
 适应基板厚度 (Applicable PC board thickness) : 1.6 mm
 温度范围 (Temperature range) : -40°C~+105°C
 额定电压 (Voltage rating) : 250V AC/DC
 额定电流 (Current rating) : 3A
 接触电阻 (Contact resistance) : ≤0.01Ω
 绝缘电阻 (Insulation resistance) : ≥1000MΩ
 耐压 (Withstand voltage) : 1000V AC/minute

端子 Contact



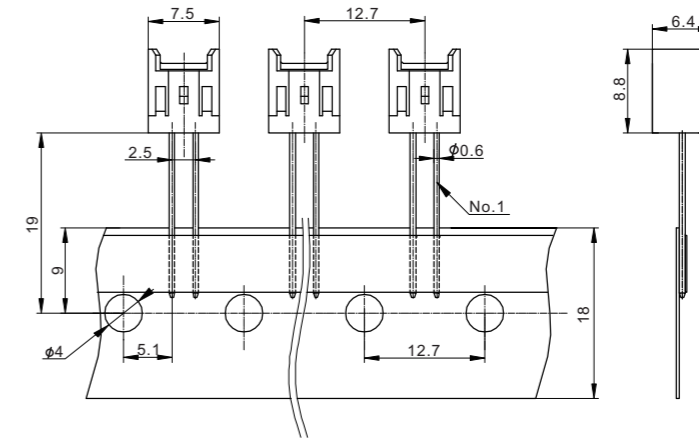
型号 Type	适用导线范围 Wire Range		导线外径 Wire ins.Dis
	mm ²	AWG#	
TJC2509	0.08 ~ 0.32	22 ~ 28	1.2 ~ 1.6
材质·表面处理 Material and Finish			
磷青铜 Phos·bronze Tin·Plating			

阴连接器 HOUSING



线数 Poles	型号 Type
2	TJC2509-2Y
材质·表面处理 Material and Finish PA66 UL94V-0	

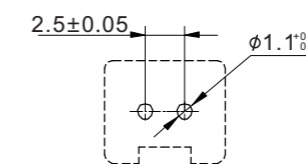
阳连接器 Wafer



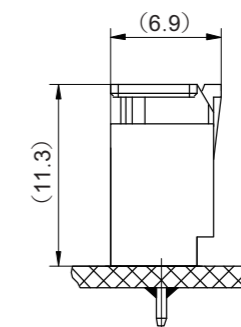
线数 Poles	型号 Type
2	TJC25054-2A
材质·表面处理 Material and Finish PA66 UL94V-0 黄铜 镀锡 Brass Tin·Plating	

安装尺寸 MOUNTING MEASUREMENT

PCB LAYOUT




Assembly View (DIM FYI)

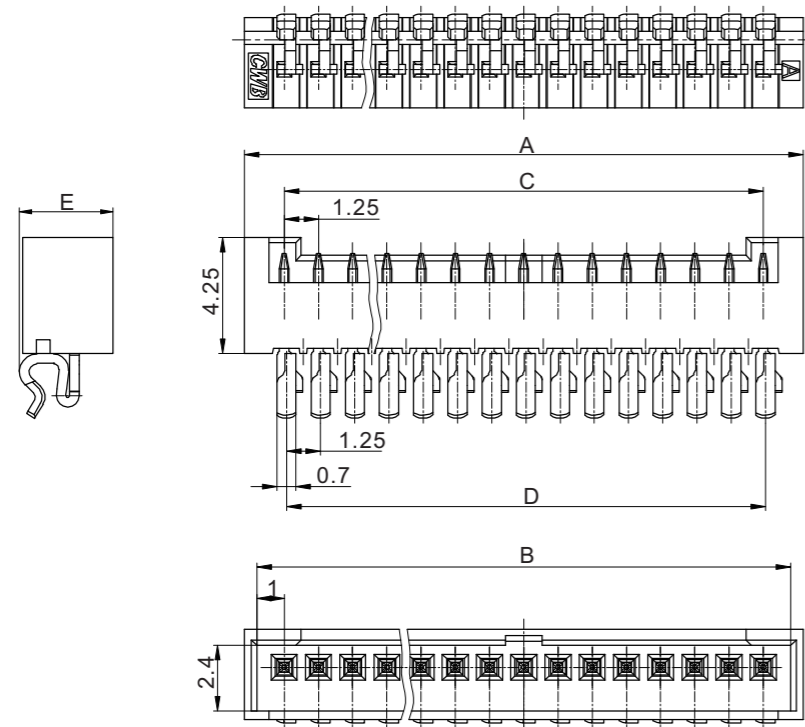




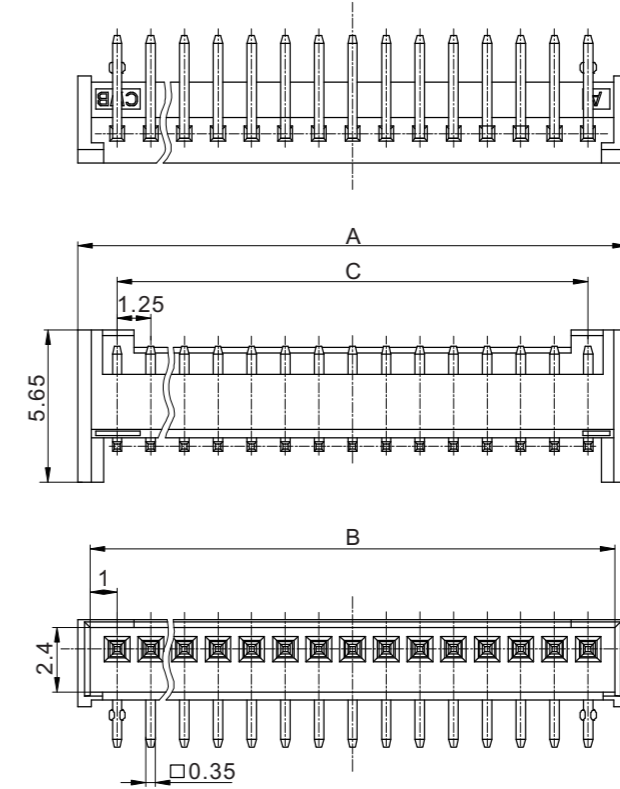
技术参数 (SPECIFICATIONS)

温度范围 (Temperature range) : -40°C~+70°C
 额定电压 (Voltage rating) : 200V AC/DC
 额定电流 (Current rating) : 1A
 接触电阻 (Contact resistance) : $\leq 0.02\Omega$
 绝缘电阻 (Insulation resistance) : $\geq 100M\Omega$
 耐电压 (Withstand voltage) : 500V AC/minute
 认证 (STANDARDS) :  E200881

阳连接器Wafer



阳连接器Wafer



线数 Poles	型号 Type	尺寸Dimensions (mm)		
		A	B	C
7	IL-Z-7P-S125L3--C	10.4	9.5	7.5
9	IL-Z-9P-S125L3-C	20.4	12.0	10.0
15	IL-Z-15P-S125L3-C	12.9	19.5	17.5
材质·表面处理 Material and Finish		PA66 UL94V-0·Black; 黄铜 镀锡 Brass Tin·Plating		

线数 Poles	型号 Type	尺寸Dimensions (mm)					线数 Poles	型号 Type	尺寸Dimensions (mm)				
		A	B	C	D	E			A	B	C	D	E
7	IL-Z-7P-CLIP-E-C	10.4	9.5	7.5	7.5	3.93	7	IL-Z-7P-CLIP0.5-E-C	10.4	9.5	7.5	7.5	3.45
9	IL-Z-9P-CLIP-E-C	20.4	12.0	10.0	10.0	3.93	9	IL-Z-9P-CLIP0.5-E-C	20.4	12.0	10.0	10.0	3.45
15	IL-Z-15P-CLIP-E-C	12.9	19.5	17.5	17.5	3.93	15	IL-Z-15P-CLIP0.5-E-C	12.9	19.5	17.5	17.5	3.45
材质·表面处理 Material and Finish		PA9T UL94V-0·Black; 磷青铜 镀锡 Phos·bronze Tin·Plating											

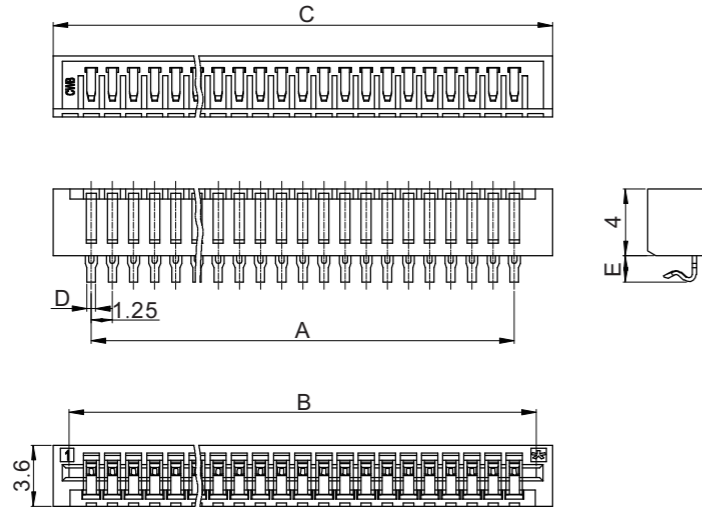


技术参数 (SPECIFICATIONS)

适用线缆 (Useable wire range) : FPC/FFC T=0.3±0.05mm 1.25P
 适应基板厚度 (Applicable PC board thickness) : 1.1 mm
 温度范围 (Temperature range) : -40°C~+85°C
 额定电压 (Voltage rating) : 24V AC/DC
 额定电流 (Current rating) : 1A
 接触电阻 (Contact resistance) : ≤0.025Ω
 绝缘电阻 (Insulation resistance) : ≥100MΩ
 耐电压 (Withstand voltage) : 500V AC/minute

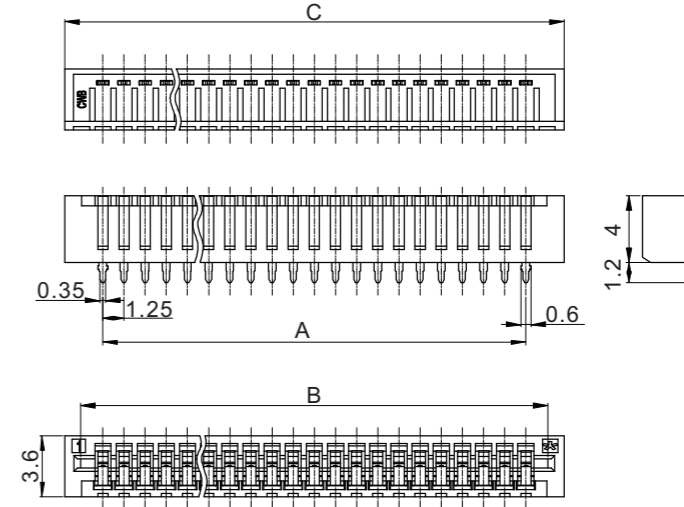
认证 (STANDARDS) : E200881

阴连接器Housing



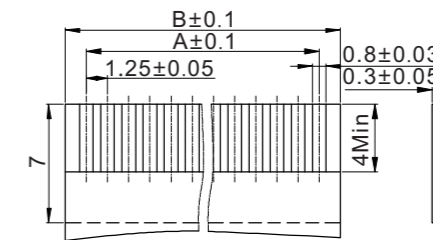
线数 Poles	型号 Type	尺寸Dimensions (mm)					线数 Poles	型号 Type	尺寸Dimensions (mm)				
		A	B	C	D	E			A	B	C	D	E
21	RY04-21 CLIP-C	25	27.5	29.5	0.5	1.55	21	RY04-21 CLIP 0.5-C	25	27.5	29.5	0.4	1.10
28	RY04-28 CLIP-C	33.75	36.25	38.25	0.5	1.55	28	RY04-28 CLIP 0.5P-C	33.75	36.25	38.25	0.4	1.10
材质·表面处理 Material and Finish PA9T UL94V-0·Black; 磷青铜 镀锡 Phos·bronze Tin·Plating													

阴连接器Housing



线数 Poles	型号 Type	尺寸Dimensions (mm)		
		A	B	C
21	RY04-21DIP-C	25	27.5	29.5
28	RY04-28DIP-C	33.75	36.25	38.25
材质·表面处理 Material and Finish PA9T UL94V-0·Black; 磷青铜 镀锡 Phos·bronze Tin·Plating				
28	RY04-28DIP-C-Au0.15	33.75	36.25	38.25
材质·表面处理 Material and Finish PA9T UL94V-0·Black; 磷青铜 镀锡 Phos·bronze Tin·Plating				

安装尺寸 MOUNTING MEASUREMENT



FPC LAYOUT

线数 Poles	型号 Type
21	RY05-21CLIP-C
材质·表面处理 Material and Finish PA9T UL94V-0·Black; 磷青铜 镀锡 Phos·bronze Tin·Plating	

Ry05型条形连接器
RY05 Bar Connector

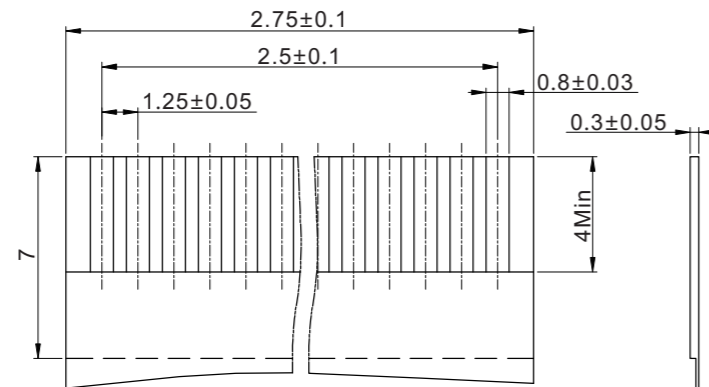
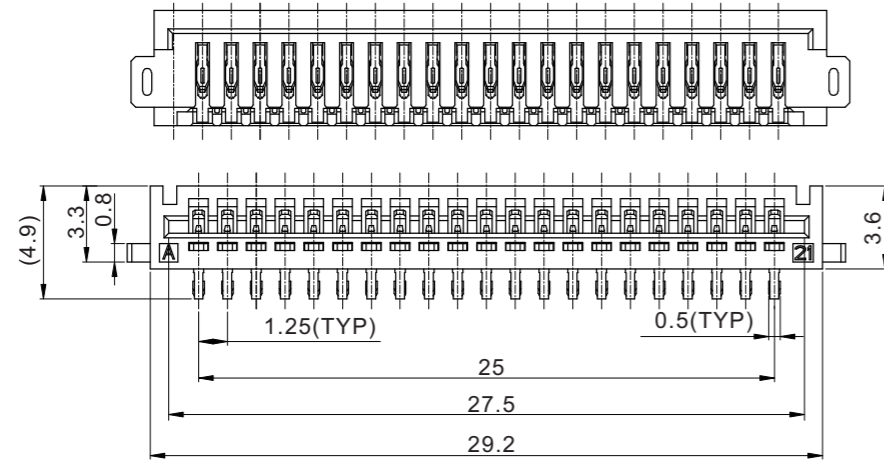
间距 (space) : 1.25mm



技术参数 (SPECIFICATIONS)

温度范围 (Temperature range) : $-40^{\circ}\text{C}\sim+85^{\circ}\text{C}$
 额定电压 (Voltage rating) : 24V AC/DC
 额定电流 (Current rating) : 1A
 接触电阻 (Contact resistance) : $\leq 0.025\Omega$
 绝缘电阻 (Insulation resistance) : $\geq 100\text{M}\Omega$
 耐电压 (Withstand voltage) : 500V AC/minute
 认证 (STANDARDS) : E200881

阴连接器Housing



IL-FPC型条形连接器
IL-FPC Bar Connector

间距 (space) : 1.25mm

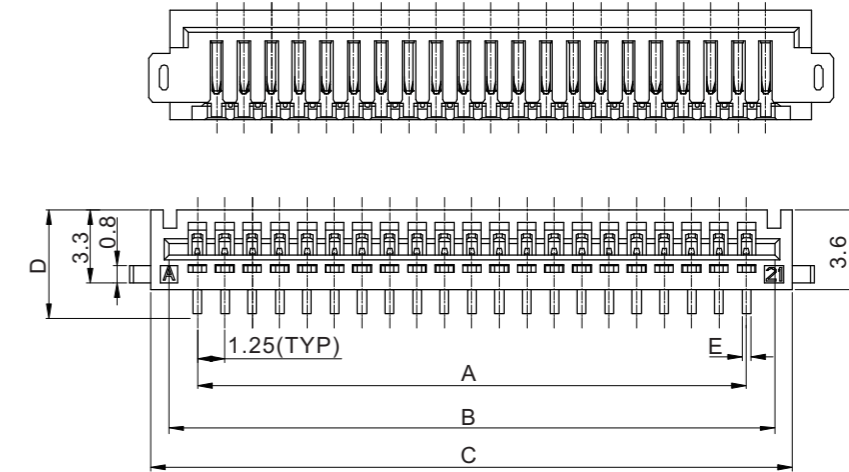


技术参数 (SPECIFICATIONS)

适用线缆 (Useable wire range) : FPC/FFC $T=0.3\pm 0.05\text{mm}$ 1.25P
 适应基板厚度 (Applicable PC board thickness) : 1.1 mm
 温度范围 (Temperature range) : $-40^{\circ}\text{C}\sim+85^{\circ}\text{C}$
 额定电压 (Voltage rating) : 200V AC/DC
 额定电流 (Current rating) : 1A
 接触电阻 (Contact resistance) : $\leq 0.025\Omega$
 绝缘电阻 (Insulation resistance) : $\geq 100\text{M}\Omega$
 耐电压 (Withstand voltage) : 500V AC/minute

认证 (STANDARDS) : E200881

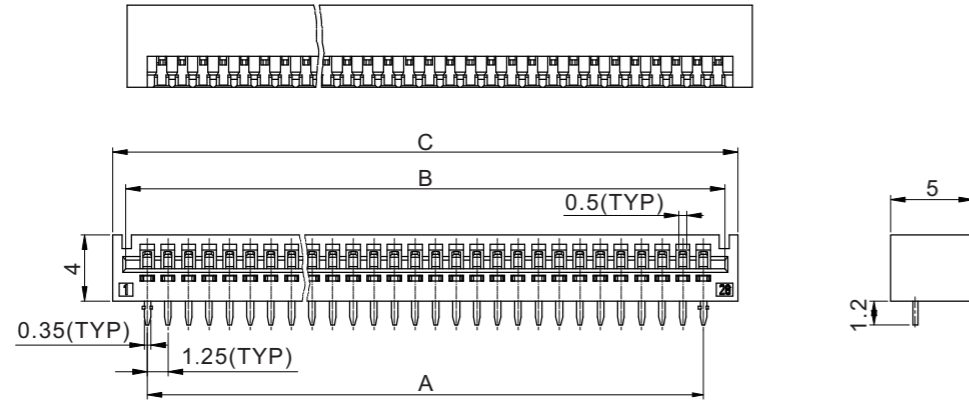
阴连接器Housing



线数 Poles	型号 Type	尺寸Dimensions (mm)				
		A	B	C	D	E
21	IL-FPC-21CLIP0.5-C	25.0	27.5	29.2	4.7	0.4
28	IL-FPC-28CLIP0.5-C	33.75	36.25	37.95	4.7	0.4
28	IL-FPC-28CLIP-C	33.75	36.25	37.95	5.1	0.5

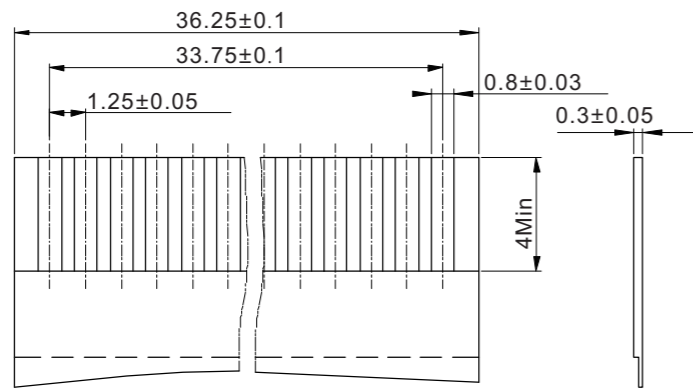
材质·表面处理 Material and Finish PA9T UL94V-0·Black; 磷青铜 镀锡 Phos·bronze Tin·Plating

阳连接器Wafer



线数 Poles	型号 Type	尺寸Dimensions (mm)		
		A	B	C
21	IL-FPC-21DIP-C	25.0	27.5	29.2
28	IL-FPC-28DIP-C	33.75	36.25	37.95
材质·表面处理 Material and Finish		PA9T UL94V-0·Black; 磷青铜 镀锡 Phos·bronze Tin·Plating		

安装尺寸 MOUNTING MEASUREMENT

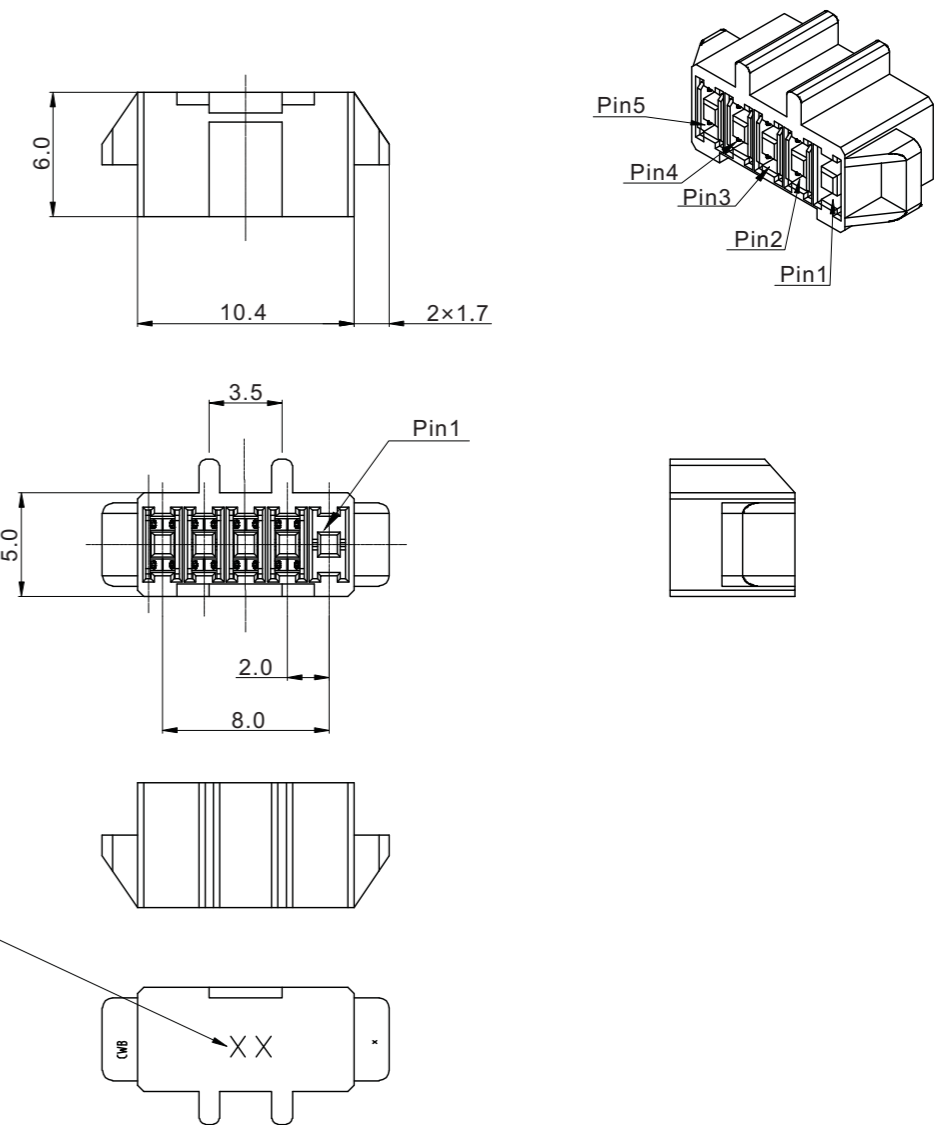


技术参数 (SPECIFICATIONS)

适应基板厚度 (Applicable PC board thickness) : 1.6 mm
 温度范围 (Temperature range) : -25°C~+85°C
 额定电压 (Voltage rating) : 250V AC/DC
 额定电流 (Current rating) : 2A
 接触电阻 (Contact resistance) : ≤0.02Ω
 绝缘电阻 (Insulation resistance) : ≥500MΩ
 耐电压 (Withstand voltage) : 800V AC/minute



阴连接器 HOUSING

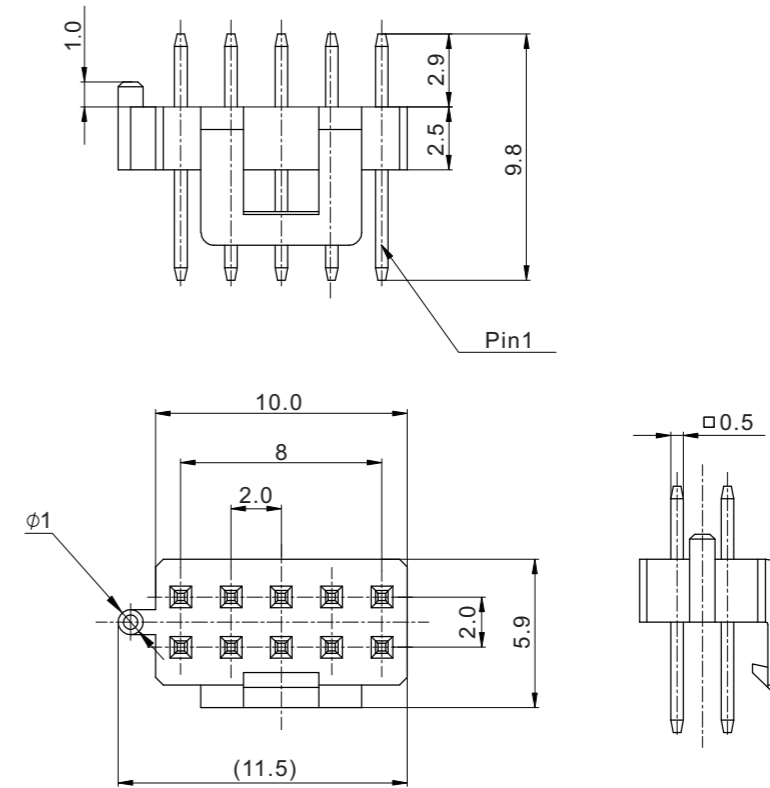


线数 Poles	型号 Type	Pin 5	Pin 4	Pin 3	Pin 2	Pin 1	插簧数量
2×5Y	TJC20033-2×5Y-01(RD)	0	0	0	0	1	2
2×5Y	TJC20033-2×5Y-02(RD)	0	0	0	1	0	2
2×5Y	TJC20033-2×5Y-03(RD)	0	0	0	1	1	4
2×5Y	TJC20033-2×5Y-04(RD)	0	0	1	0	0	2
2×5Y	TJC20033-2×5Y-05(RD)	0	0	1	0	1	4
2×5Y	TJC20033-2×5Y-06(RD)	0	0	1	1	0	4
2×5Y	TJC20033-2×5Y-07(RD)	0	0	1	1	1	6
2×5Y	TJC20033-2×5Y-08(RD)	0	1	0	0	0	2
2×5Y	TJC20033-2×5Y-09(RD)	0	1	0	0	1	4
2×5Y	TJC20033-2×5Y-10(RD)	0	1	0	1	0	4
2×5Y	TJC20033-2×5Y-11(RD)	0	1	0	1	1	6
2×5Y	TJC20033-2×5Y-12(RD)	0	1	1	0	0	4
2×5Y	TJC20033-2×5Y-13(RD)	0	1	1	0	1	6
2×5Y	TJC20033-2×5Y-14(RD)	0	1	1	1	0	6
2×5Y	TJC20033-2×5Y-15(RD)	0	1	1	1	1	8
2×5Y	TJC20033-2×5Y-16(RD)	1	0	0	0	0	2
2×5Y	TJC20033-2×5Y-17(RD)	1	0	0	0	1	4
2×5Y	TJC20033-2×5Y-18(RD)	1	0	0	1	0	4
2×5Y	TJC20033-2×5Y-19(RD)	1	0	0	1	1	6
2×5Y	TJC20033-2×5Y-20(RD)	1	0	1	0	0	4
2×5Y	TJC20033-2×5Y-21(RD)	1	0	1	0	1	6
2×5Y	TJC20033-2×5Y-22(RD)	1	0	1	1	0	6
2×5Y	TJC20033-2×5Y-23(RD)	1	0	1	1	1	8
2×5Y	TJC20033-2×5Y-24(RD)	1	1	0	0	0	4
2×5Y	TJC20033-2×5Y-25(RD)	1	1	0	0	1	6
2×5Y	TJC20033-2×5Y-26(RD)	1	1	0	1	0	6
2×5Y	TJC20033-2×5Y-27(RD)	1	1	0	1	1	8
2×5Y	TJC20033-2×5Y-28(RD)	1	1	1	0	0	6
2×5Y	TJC20033-2×5Y-29(RD)	1	1	1	0	1	8
2×5Y	TJC20033-2×5Y-30(RD)	1	1	1	1	0	8

1表示该孔装配插簧, 0表示不装配插簧

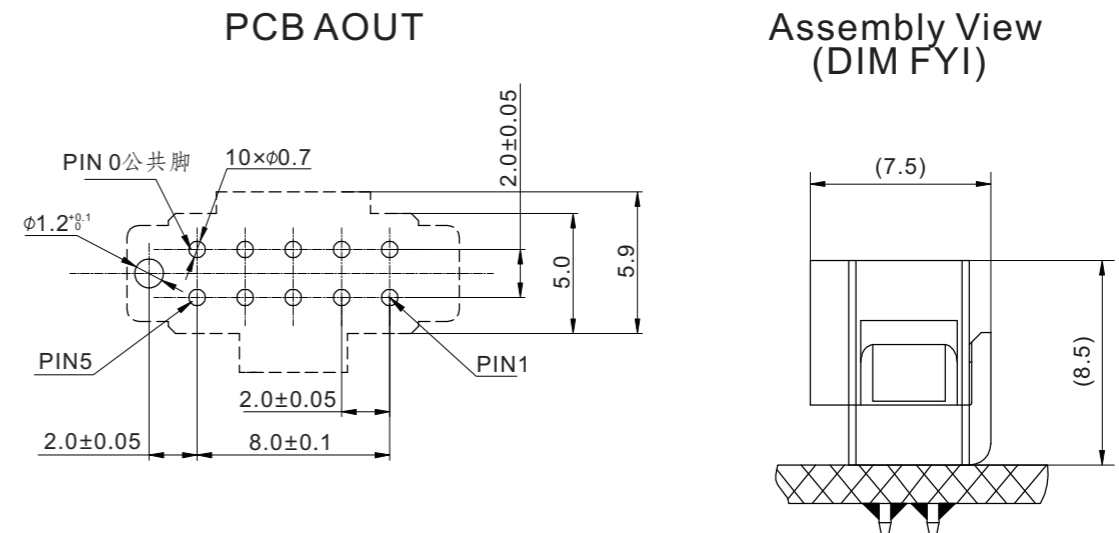
材质·表面处理 Material and Finish PA66 UL94V-0
磷青铜 局部镀金 Ni under plating over all and Au plating on the contact area

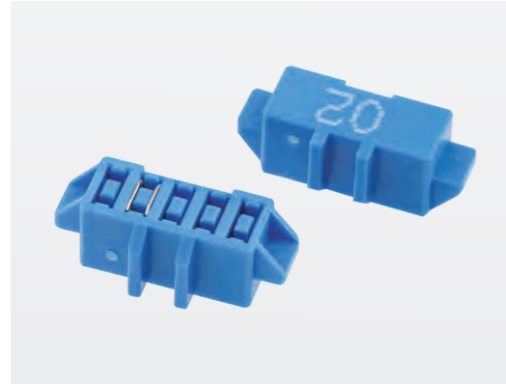
阳连接器 Header



线数 Poles	型号 Type
2×5A	TJC20033-2×5A (RD)
材质·表面处理 Material and Finish PA66 UL94V-0 黄铜 镀锡 Brass gold·Plating	

安装尺寸 MOUNTING MEASUREMENT

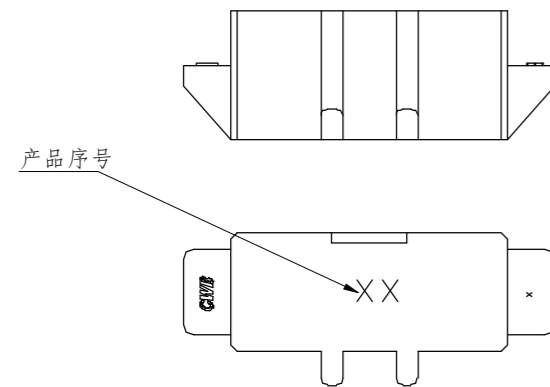
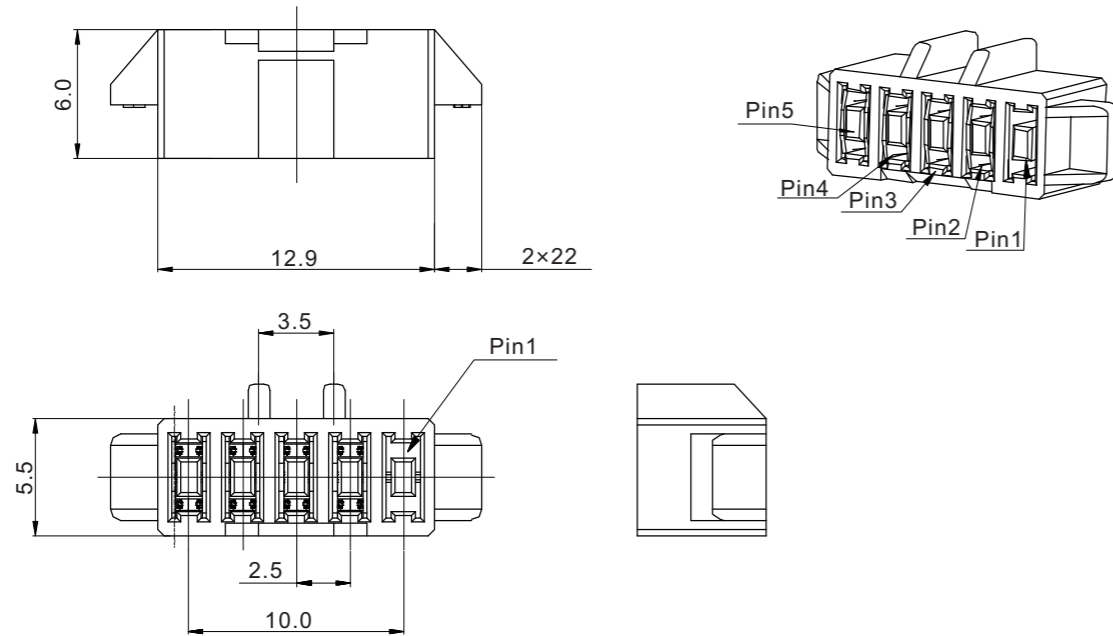




技术参数 (SPECIFICATIONS)

适应基板厚度 (Applicable PC board thickness) : 1.6 mm
 温度范围 (Temperature range) : -25°C~+85°C
 额定电压 (Voltage rating) : 250V AC/DC
 额定电流 (Current rating) : 3A
 接触电阻 (Contact resistance) : ≤0.02Ω
 绝缘电阻 (Insulation resistance) : ≥500MΩ
 耐压 (Withstand voltage) : 800V AC/minute

阴连接器 HOUSING

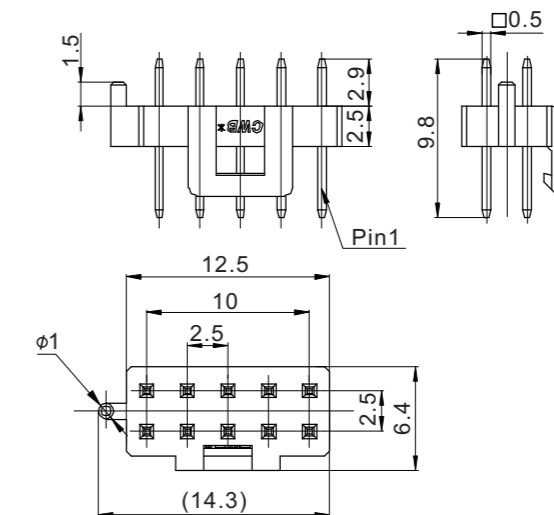


线数 Poles	型号 Type	Pin 5	Pin 4	Pin 3	Pin 2	Pin 1	插簧数量
2×5Y	TJC25046-2×5Y-01(BL)	0	0	0	0	1	2
2×5Y	TJC25046-2×5Y-02(BL)	0	0	0	1	0	2
2×5Y	TJC25046-2×5Y-03(BL)	0	0	0	1	1	4
2×5Y	TJC25046-2×5Y-04(BL)	0	0	1	0	0	2
2×5Y	TJC25046-2×5Y-05(BL)	0	0	1	0	1	4
2×5Y	TJC25046-2×5Y-06(BL)	0	0	1	1	0	4
2×5Y	TJC25046-2×5Y-07(BL)	0	0	1	1	1	6
2×5Y	TJC25046-2×5Y-08(BL)	0	1	0	0	0	2
2×5Y	TJC25046-2×5Y-09(BL)	0	1	0	0	1	4
2×5Y	TJC25046-2×5Y-10(BL)	0	1	0	1	0	4
2×5Y	TJC25046-2×5Y-11(BL)	0	1	0	1	1	6
2×5Y	TJC25046-2×5Y-12(BL)	0	1	1	0	0	4
2×5Y	TJC25046-2×5Y-13(BL)	0	1	1	0	1	6
2×5Y	TJC25046-2×5Y-14(BL)	0	1	1	1	0	6
2×5Y	TJC25046-2×5Y-15(BL)	0	1	1	1	1	8
2×5Y	TJC25046-2×5Y-16(BL)	1	0	0	0	0	2
2×5Y	TJC25046-2×5Y-17(BL)	1	0	0	0	1	4
2×5Y	TJC25046-2×5Y-18(BL)	1	0	0	1	0	4
2×5Y	TJC25046-2×5Y-19(BL)	1	0	0	1	1	6
2×5Y	TJC25046-2×5Y-20(BL)	1	0	1	0	0	4
2×5Y	TJC25046-2×5Y-21(BL)	1	0	1	0	1	6
2×5Y	TJC25046-2×5Y-22(BL)	1	0	1	1	0	6
2×5Y	TJC25046-2×5Y-23(BL)	1	0	1	1	1	8
2×5Y	TJC25046-2×5Y-24(BL)	1	1	0	0	0	4
2×5Y	TJC25046-2×5Y-25(BL)	1	1	0	0	1	6
2×5Y	TJC25046-2×5Y-26(BL)	1	1	0	1	0	6
2×5Y	TJC25046-2×5Y-27(BL)	1	1	0	1	1	8
2×5Y	TJC25046-2×5Y-28(BL)	1	1	1	0	0	6
2×5Y	TJC25046-2×5Y-29(BL)	1	1	1	0	1	8
2×5Y	TJC25046-2×5Y-30(BL)	1	1	1	1	0	8

1 表示该孔装配插簧, 0 表示不装配插簧

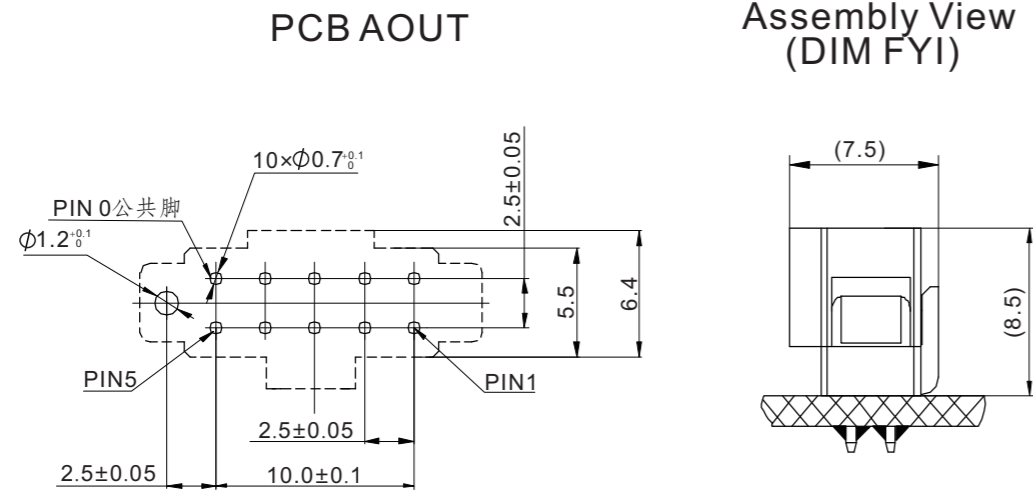
材质·表面处理 Material and Finish PA66 UL94V-0
 磷青铜 局部镀金 Ni under plating over all and Au plating on the contact area

阳连接器 Header



线数 Poles	型号 Type
2 × 5A	TJC25046-2 × 5A (BL)
材质 · 表面处理 Material and Finish PA66 UL94V-0 黄铜 镀锡 Brass gold · Plating	

安装尺寸 MOUNTING MEASUREMENT

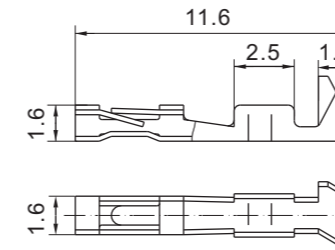


技术参数 (SPECIFICATIONS)

适用线规 (Applicable wires) : AWG28#~22#
 适应基板厚度 (Applicable PC board thickness) : 1.6mm
 温度范围 (Temprature range) : -25℃~85℃
 额定电压 (Voltage rating) : 250V AC/DC
 额定电流 (Current rating) : 3A
 接触电阻 (Contact resistance) : ≤0.01Ω
 绝缘电阻 (Insulation resistance) : ≥1000MΩ
 耐压 (Withstand voltage) : 1000V AC/minute

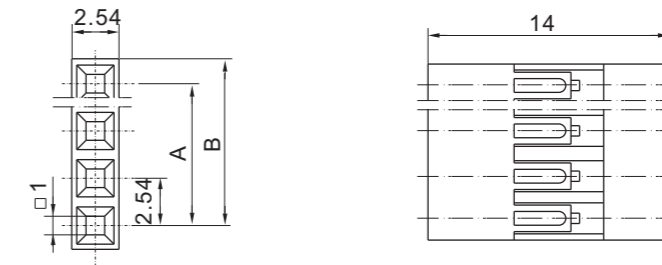
认证 (STANDARDS) : E200881

端子 TERMINAL



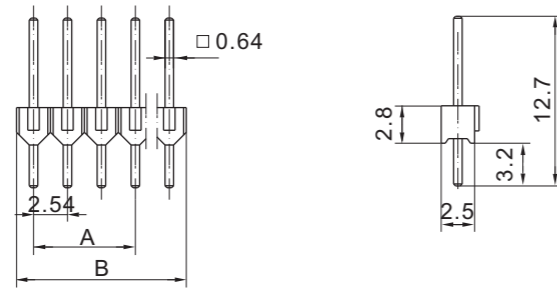
型号 Type	适用导线范围 Wire Range		导线外径 Wire Ins.Dis
	mm ²	AWG#	
TJC8	0.08~0.33	28~22	1.0~1.7
材质 · 表面处理 Material and Finish 磷青铜 Phos · bronze Tin · Plated			

阴连接器 HOUSING

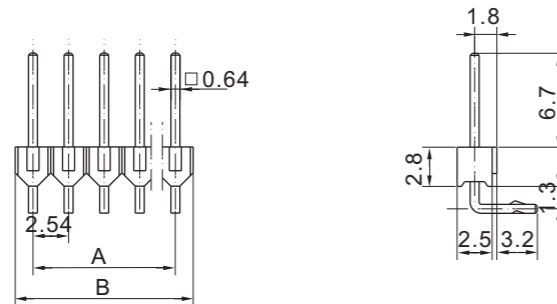


线数 Poles	型号 Type	尺寸 Dimensions(mm)		线数 Poles	型号 Type	尺寸 Dimensions(mm)	
		A	B			A	B
1	TJC8-1Y	—	2.54	7	TJC8-7Y	15.24	17.78
2	TJC8-2Y	2.54	5.08	8	TJC8-8Y	17.78	20.32
3	TJC8-3Y	5.08	7.62	9	TJC8-9Y	20.32	22.86
4	TJC8-4Y	7.62	10.16	10	TJC8-10Y	22.86	25.40
5	TJC8-5Y	10.16	12.70	11	TJC8-11Y	25.40	27.94
6	TJC8-6Y	12.70	15.24	12	TJC8-12Y	27.94	30.48
材质 · 表面处理 Material and Finish				PPO UL94V-0 · Black			

阳连接器 (直式) WAFER (180°)

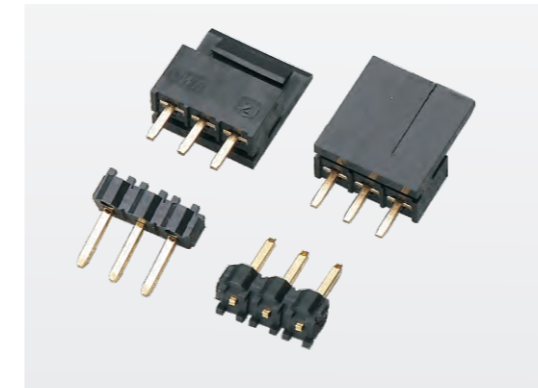
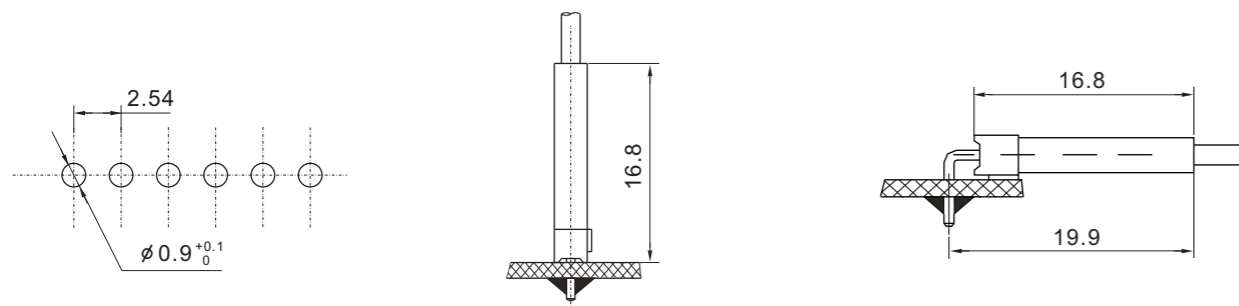


阳连接器 (弯式) WAFER (90°)




线数 Poles	型号 Type		尺寸Dimensions(mm)		线数 Poles	型号 Type		尺寸Dimensions(mm)	
	直式 (180°)	弯式 (90°)	A	B		直式 (180°)	弯式 (90°)	A	B
1	TJC8-1A	TJC8-1AW	—	2.54	7	TJC8-7A	TJC8-7AW	15.24	17.78
2	TJC8-2A	TJC8-2AW	2.54	5.08	8	TJC8-8A	TJC8-8AW	17.78	20.32
3	TJC8-3A	TJC8-3AW	5.08	7.62	9	TJC8-9A	TJC8-9AW	20.32	22.86
4	TJC8-4A	TJC8-4AW	7.62	10.18	10	TJC8-10A	TJC8-10AW	22.86	25.40
5	TJC8-5A	TJC8-5AW	10.16	12.70	11	TJC8-11A	TJC8-11AW	25.40	27.94
6	TJC8-6A	TJC8-6AW	12.70	15.24	12	TJC8-12A	TJC8-12AW	27.94	30.48
材质·表面处理 Material and Finish PBT/PA6T UL94V-0 · Black; 黄铜 镀锡 Brass Tin · Plated									

安装尺寸 MOUNTING MEASUREMENT

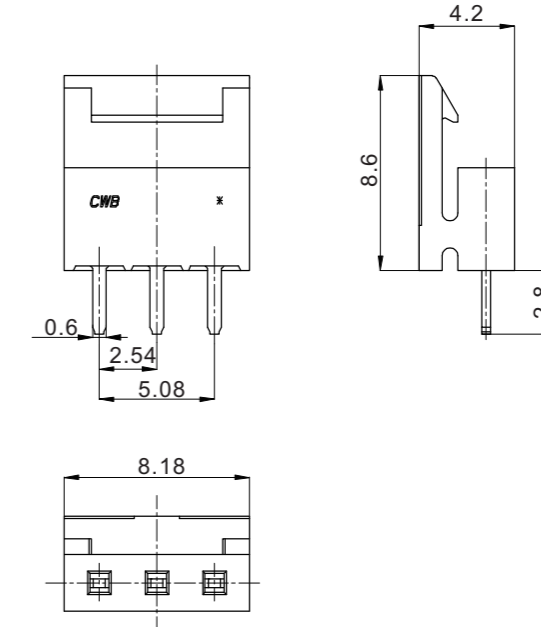


技术参数 (SPECIFICATIONS)

适应基板厚度 (Applicable PC board thickness) : 1.6 mm
 温度范围 (Temperature range) : -40°C~+105°C
 额定电压 (Voltage rating) : 250V AC/DC
 额定电流 (Current rating) : 3A
 接触电阻 (Contact resistance) : $\leq 0.02\Omega$
 绝缘电阻 (Insulation resistance) : $\geq 1000M\Omega$
 耐电压 (Withstand voltage) : 1000V AC/minute

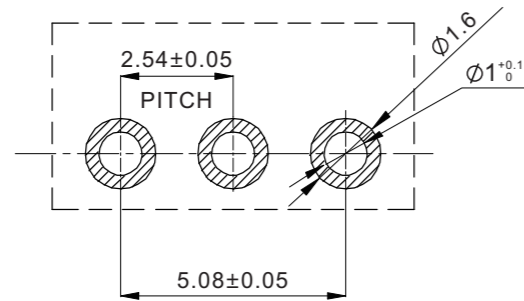
认证 (STANDARDS) :  E200881

端子 TERMINAL

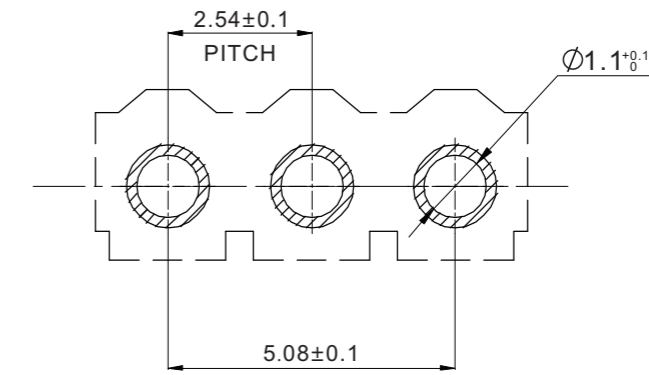


线数 Poles	型号 Type
3	TJC25460-3Y
材质·表面处理 Material and Finish PA66 UL94V-0 磷青铜 Phos·bronze Tin·Plating	

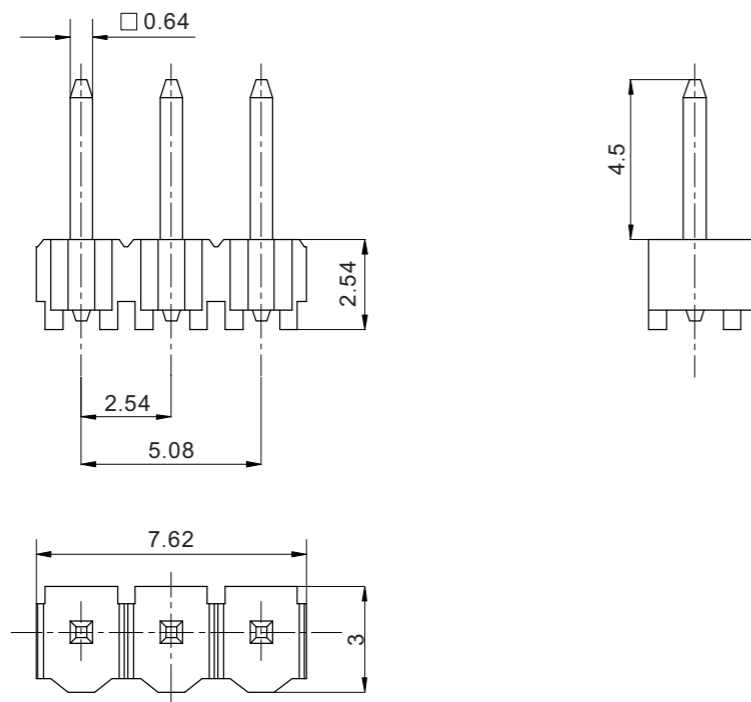
安装尺寸 MOUNTING MEASUREMENT



安装尺寸 MOUNTING MEASUREMENT



阳连接器Wafer(180°)



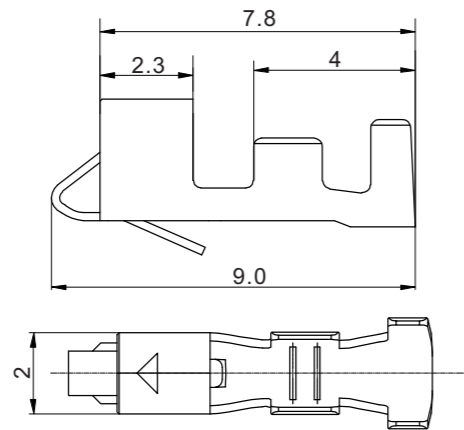
线数 Poles	型号 Type
3	TJC25460-3A
材质·表面处理 Material and Finish PA66 UL94V-0 黄铜 镀锡 Brass Au·Plating	



技术参数 (SPECIFICATIONS)

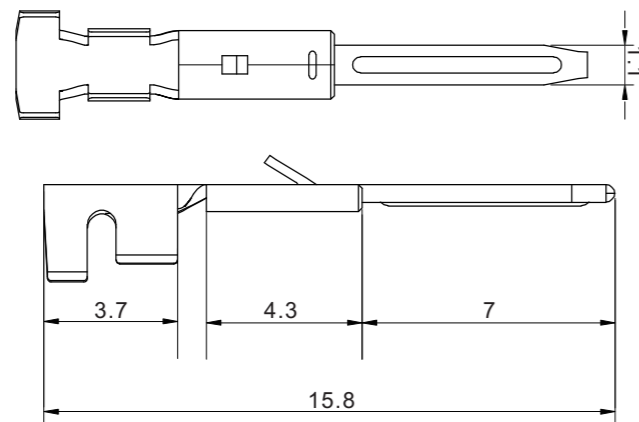
温度范围 (Temperature range) : -25°C~+85°C
 额定电压 (Voltage rating) : 250V AC/DC
 额定电流 (Current rating) : 3A
 接触电阻 (Contact resistance) : ≤0.01Ω
 绝缘电阻 (Insulation resistance) : ≥1000MΩ
 耐压 (Withstand voltage) : 1000V AC/minute
 认证 (STANDARDS) : E200881

阴连接器端子 Socket Contact



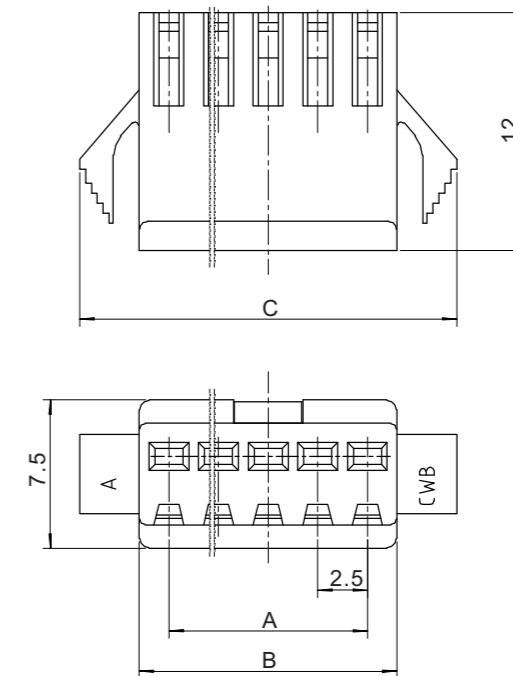
型号 Type	适用导线范围 Wire Range		导线外径 Wire ins.Dis
	mm ²	AWG#	
SM	0.08 ~ 0.33	28 ~ 22	1.2 ~ 1.6
材质 · 表面处理 Material and Finish			
磷青铜 Phos · bronze Tin · Plating			

阳连接器端子 Pin Contact



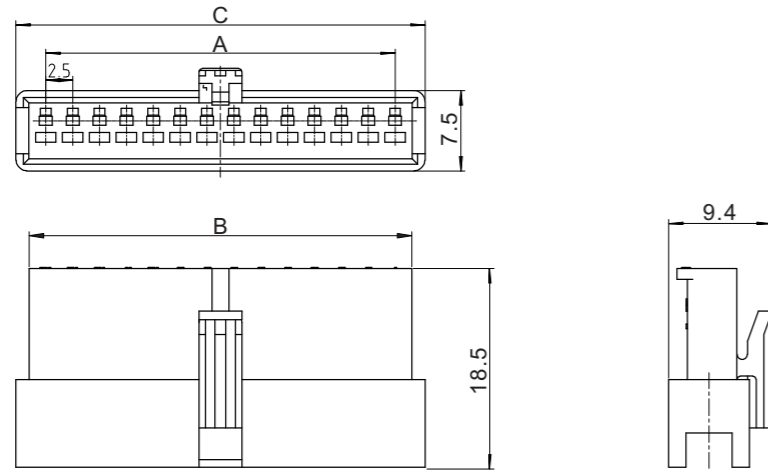
型号 Type	适用导线范围 Wire Range		导线外径 Wire ins.Dis
	mm ²	AWG#	
SM	0.08 ~ 0.33	28 ~ 22	1.2 ~ 1.6
材质 · 表面处理 Material and Finish			
磷青铜 Phos · bronze Tin · Plating			

阴连接器 Housing



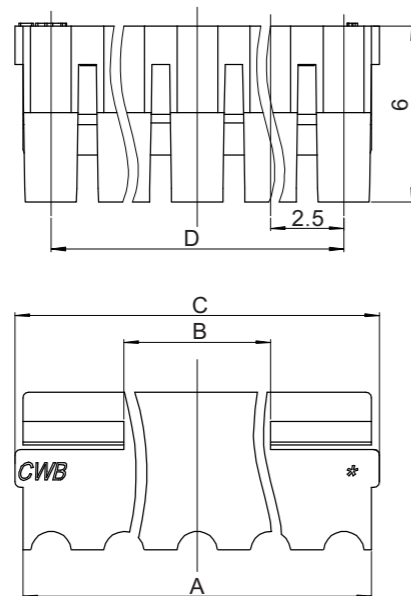
线数 Poles	型号 Type	尺寸 Dimensions (mm)			线数 Poles	型号 Type	尺寸 Dimensions (mm)		
		A	B	C			A	B	C
2	SM-2Y	2.5	5.5	11.5	9	SM-9Y	20.0	23.0	29.0
3	SM-3Y	5.0	8.0	14.0	10	SM-10Y	22.5	25.5	31.5
4	SM-4Y	7.5	10.5	16.5	11	SM-11Y	25.0	28.0	34.0
5	SM-5Y	10.0	13.0	19.0	12	SM-12Y	27.5	30.5	36.5
6	SM-6Y	12.5	15.5	21.5	13	SM-13Y	30.0	33.0	39.0
7	SM-7Y	15.0	18.0	24.0	14	SM-14Y	32.5	35.5	41.5
8	SM-8Y	17.5	20.5	26.5					
材质 · 表面处理 Material and Finish				PA66 UL94V-0/PA66 UL94V-2					

阳连接器 Wafer



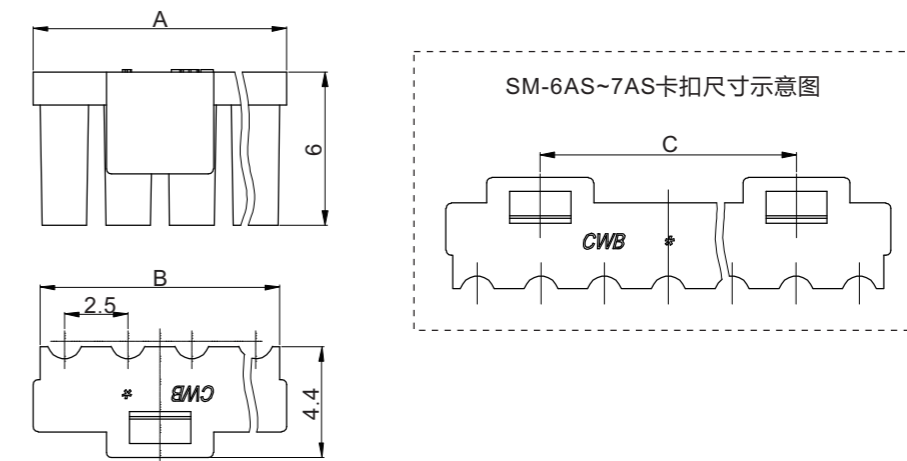
线数 Poles	型号 Type	尺寸 Dimensions (mm)			线数 Poles	型号 Type	尺寸 Dimensions (mm)		
		A	B	C			A	B	C
2	SM-2A	2.5	5.6	8.1	9	SM-9A	20.0	23.1	25.6
3	SM-3A	5.0	8.1	10.6	10	SM-10A	22.5	25.6	28.1
4	SM-4A	7.5	10.6	13.1	11	SM-11A	25.0	28.1	30.6
5	SM-5A	10.0	13.1	15.6	12	SM-12A	27.5	30.6	33.1
6	SM-6A	12.5	15.6	18.1	13	SM-13A	30.0	33.1	35.6
7	SM-7A	15.0	18.1	20.6	14	SM-14A	32.5	35.6	38.1
8	SM-8A	17.5	20.6	23.1					
材质 · 表面处理 Material and Finish		PA66 UL94V-0/PA66 UL94V-2							

阴连接器锁紧片 Lock plate



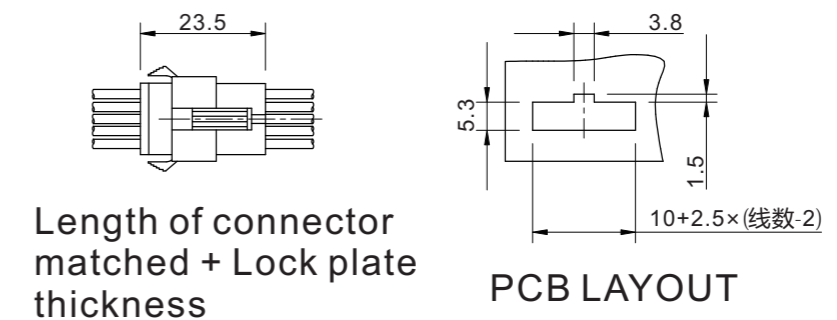
线数 Poles	型号 Type	尺寸 Dimensions (mm)			
		A	B	C	D
2	SM-2YS	4.4	2.4	5.0	2.5
3	SM-3YS	6.9	3.3	7.5	5.0
4	SM-4YS	9.4	4.5	10.0	7.5
5	SM-5YS	11.9	5.0	12.5	10.0
7	SM-7YS	16.9	7.0	17.5	15.0
材质 · 表面处理 Material and Finish		PA66 UL94V-0/PA66 UL94V-2			

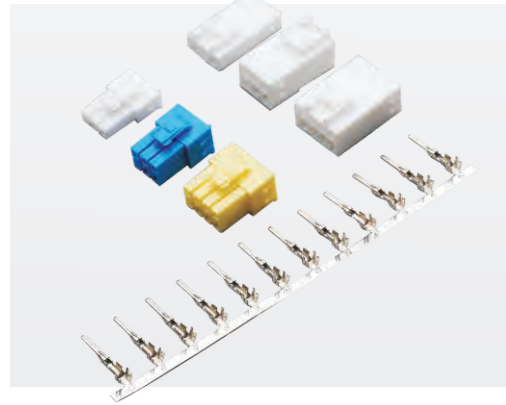
阳连接器锁紧片 Lock plate



线数 Poles	型号 Type	尺寸 Dimensions (mm)		
		A	B	C
2	SM-2AS	5.0	4.4	/
3	SM-3AS	7.5	6.9	/
4	SM-4AS	10.0	9.4	/
5	SM-5AS	12.5	11.9	/
6	SM-6AS	15.0	14.4	7.55
7	SM-7AS	17.5	16.9	10.05
材质 · 表面处理 Material and Finish		PA66 UL94V-0/PA66 UL94V-2		

安装尺寸 MOUNTING MEASUREMENT

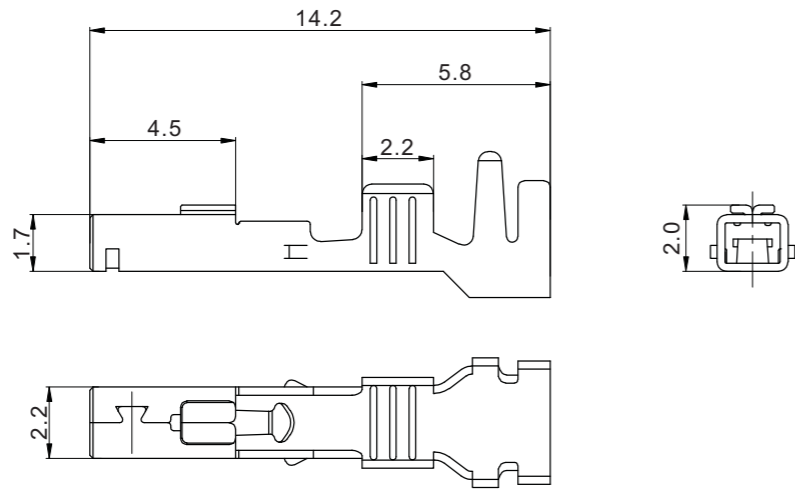




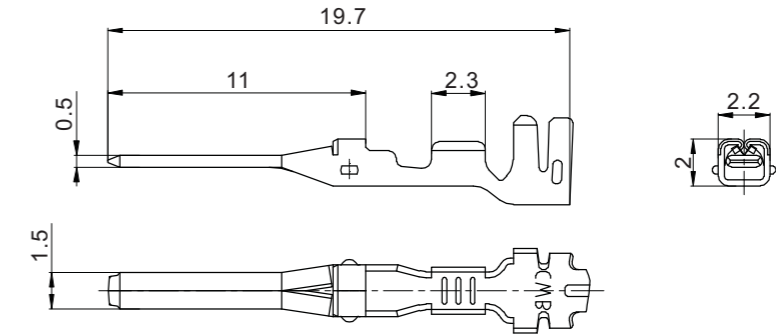
技术参数 (SPECIFICATIONS)

适用线规 (Applicable wires) : AWG20#~16#
AWG26#~22#
温度范围 (Temperature range) : -25°C~85°C
额定电压 (Voltage rating) : 250V AC/DC
额定电流 (Current rating) : 3A
接触电阻 (Contact resistance) : ≤0.02Ω
绝缘电阻 (Insulation resistance) : ≥1000MΩ
耐电压 (Withstand voltage) : 2200V AC/minute

技术参数 (SPECIFICATIONS)

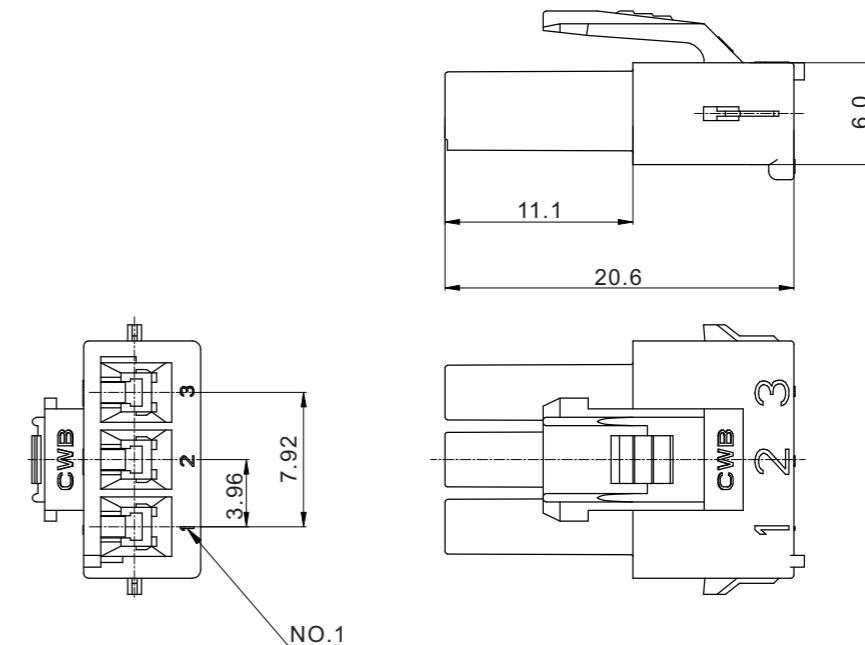


型号 Type	适用导线范围Wire Range		导线外径 Wire ins. Dis
	mm ²	AWG#	
Ch206	0.52~1.31	20~16	1.8~2.35
CH206A	0.13~0.33	26~22	1.3~1.6
材质·表面处理 Material and Finish			
磷青铜 Phos·bronze Tin·Plating			



型号 Type	适用导线范围Wire Range		导线外径 Wire ins. Dis
	mm ²	AWG#	
TJC3969插针	0.52~1.31	20~16	1.8~2.35
BTJC3969插针	0.13~0.33	26~22	1.3~1.6
材质·表面处理 Material and Finish			
磷青铜 Phos·bronze Tin·Plating			

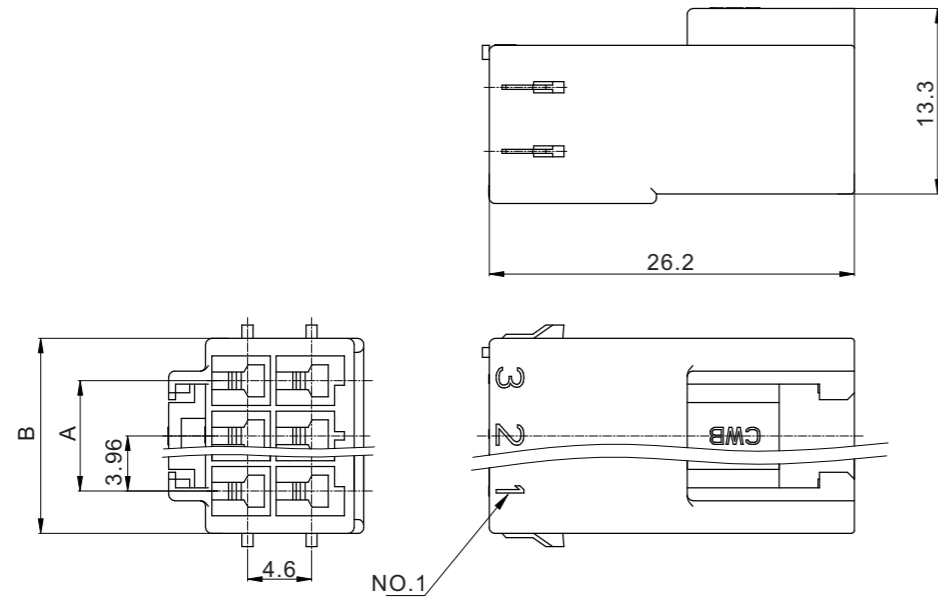
阳连接器 Receptacle Housing



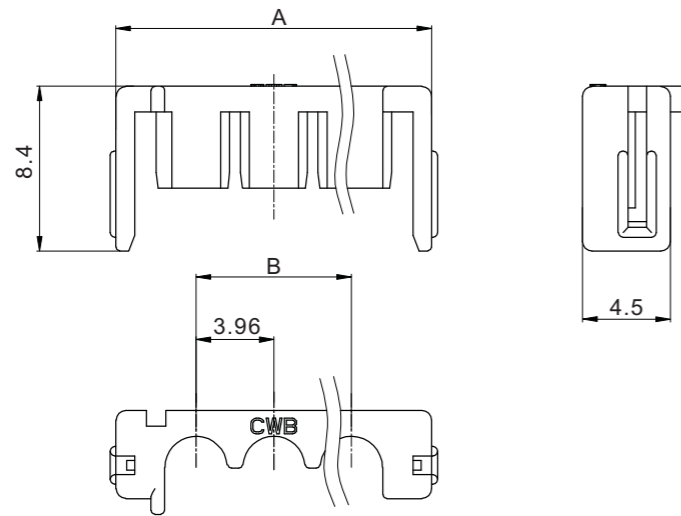
线数 Poles	型号 Type
3	TJC3969-3A
材质·表面处理 Material and Finish PC/PET UL94V-0	

TJC3969 型条形连接器
TJC3969 Bar Connector

间距 (space) : 3.96mm



线数 Poles	型号 Type	尺寸 Dimensions (mm)		线数 Poles	型号 Type	尺寸 Dimensions (mm)	
		A	B			A	B
4	TJC3969-2×2A	3.96	10.04	6	TJC3969-2×3A	7.92	14.00
8	TJC3969-2×4A	11.88	17.96				
材质·表面处理 Material and Finish		PA66 UL94V-0					

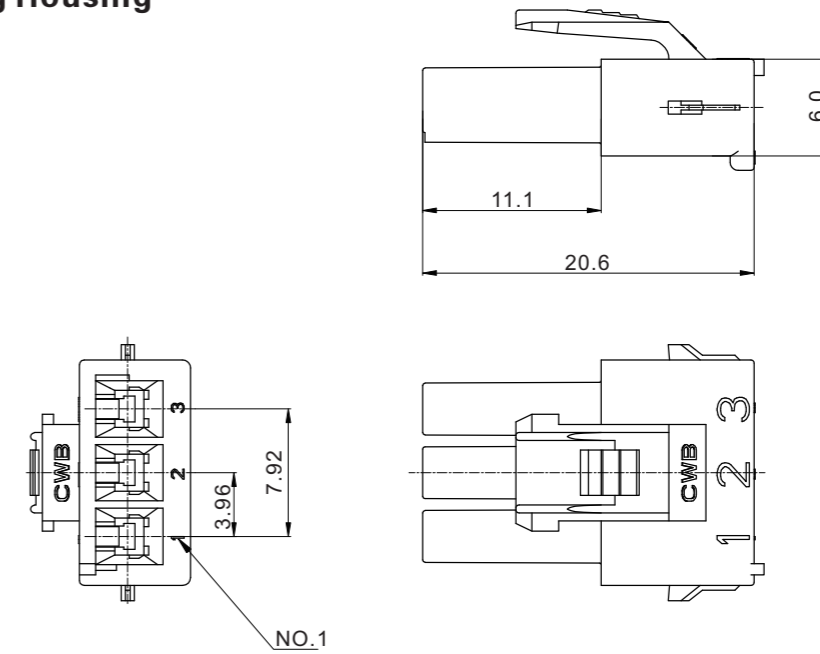


线数 Poles	型号 Type	尺寸 Dimensions (mm)		线数 Poles	型号 Type	尺寸 Dimensions (mm)	
		A	B			A	B
2	TJC3969-2YS	12.14	3.96	3	TJC3969-3YS	16.1	7.92
4	TJC3969-4YS	20.06	11.88				
材质·表面处理 Material and Finish		PA66 UL94V-0					

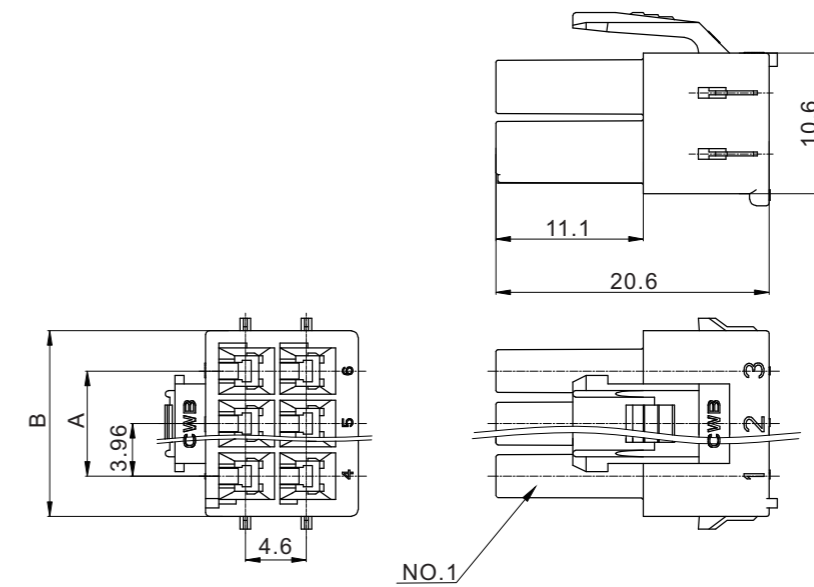
TJC3969 型条形连接器
TJC3969 Bar Connector

间距 (space) : 3.96mm

阴连接器 Plug Housing

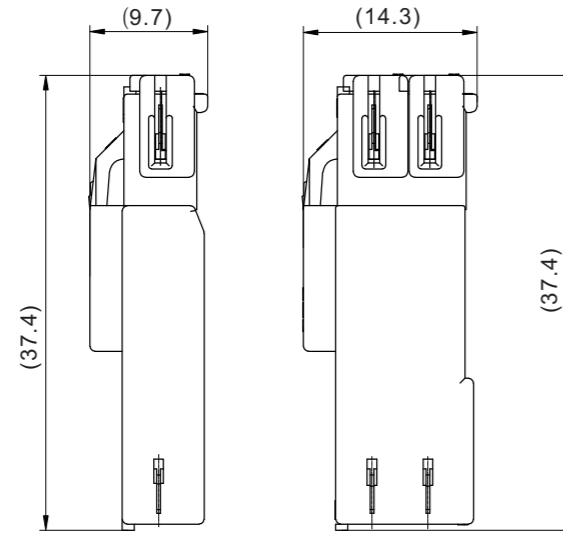


线数 Poles	型号 Type
3	TJC3969-3Y
材质·表面处理 Material and Finish PC/PET UL94V-0	

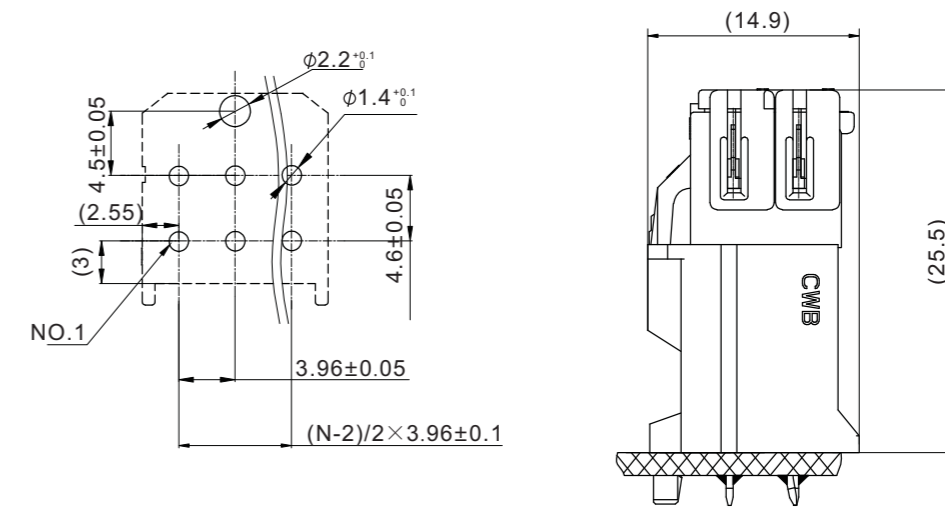


线数 Poles	型号 Type	尺寸 Dimensions (mm)		线数 Poles	型号 Type	尺寸 Dimensions (mm)	
		A	B			A	B
4	TJC3969-2×2Y	3.96	10.04	6	TJC3969-2×3Y	7.92	14.00
8	TJC3969-2×4Y	11.88	17.96				
材质·表面处理 Material and Finish		PA66 UL94V-0					

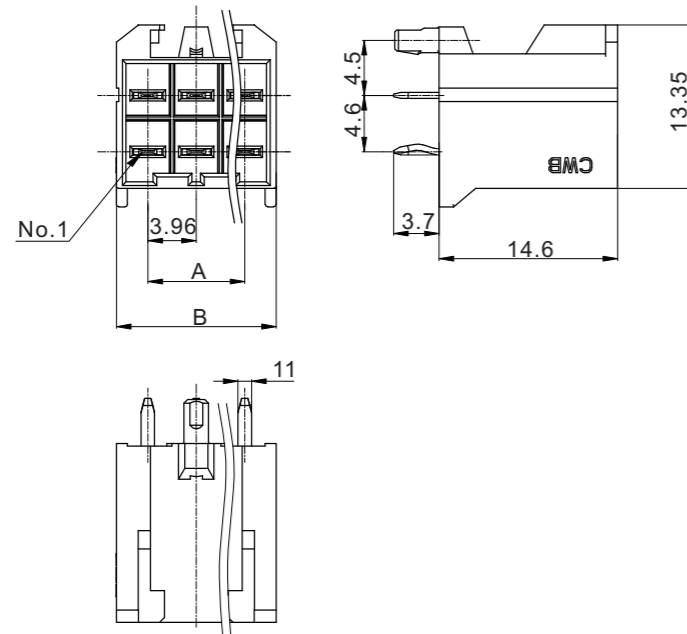
安装尺寸 MOUNTING MEASUREMENT



安装尺寸 MOUNTING MEASUREMENT



阳连接器 Wafer



线数 Poles	型号 Type	尺寸 Dimensions (mm)		线数 Poles	型号 Type	尺寸 Dimensions (mm)	
		A	B			A	B
4	TJC39610-2×2AD	3.96	9.08	6	TJC39610-2×3AD	7.92	13.04
8	TJC39610-2×4AD	11.88	17.0				
材质·表面处理 Material and Finish PA66 UL94V-0 黄铜 镀锡 Brass Tin·Plating							

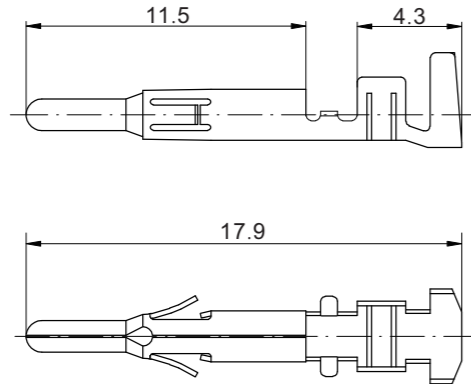


技术参数 (SPECIFICATIONS)

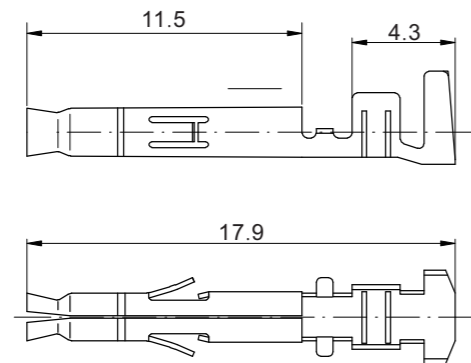
适用线规 (Applicable wires) : AWG26#~16#
 适应基板厚度 (Applicable PC board thickness) : 1.6mm~2.0 mm
 温度范围 (Temperature range) : -25°C~+85°C
 额定电压 (Voltage rating) : 300V AC/DC
 额定电流 (Current rating) : 10A MAX
 接触电阻 (Contact resistance) : ≤0.01Ω
 绝缘电阻 (Insulation resistance) : ≥1000MΩ
 耐压 (Withstand voltage) : 1500V AC/minute

认证 (STANDARDS) : E200881

端子 Contact

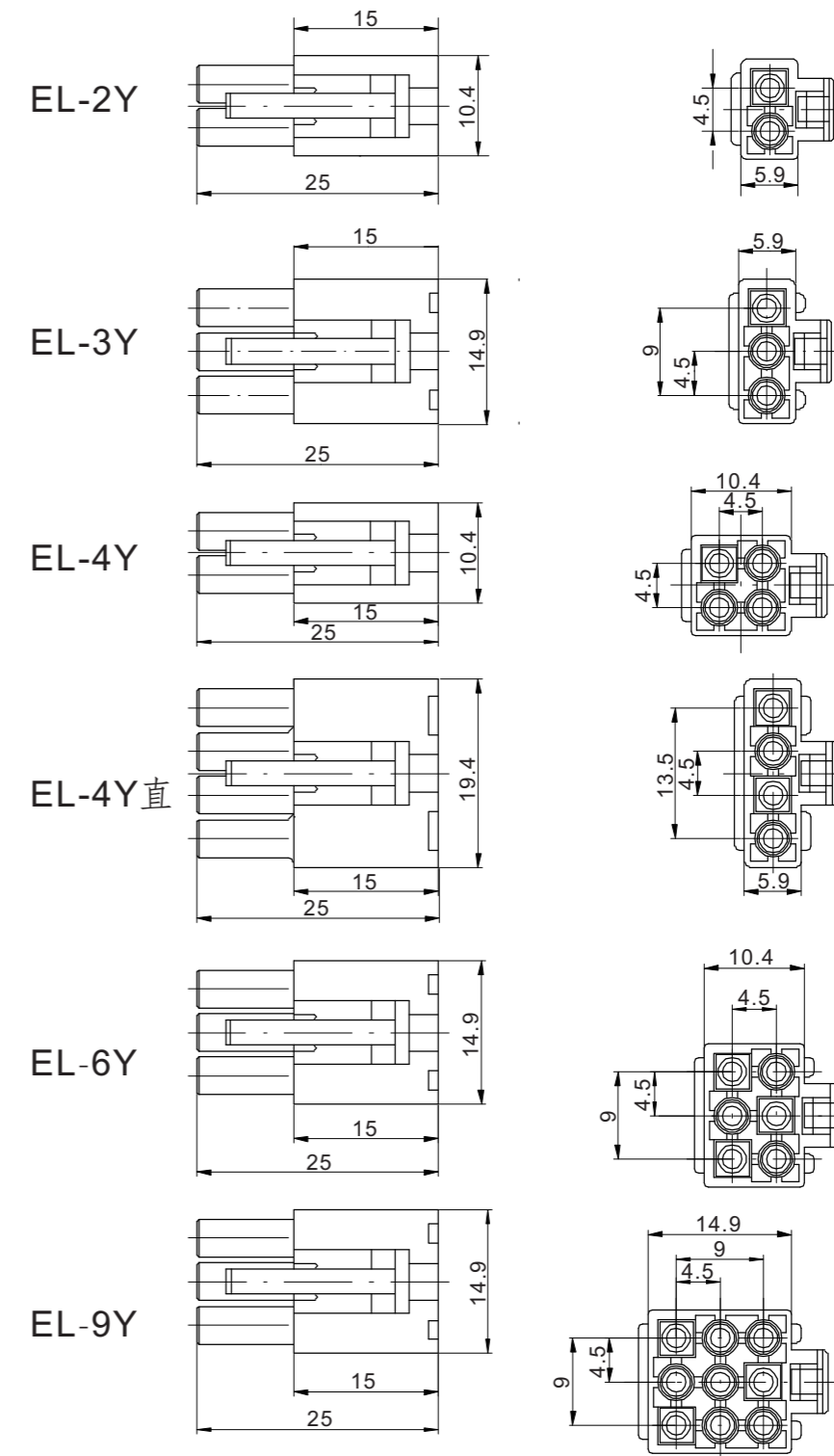


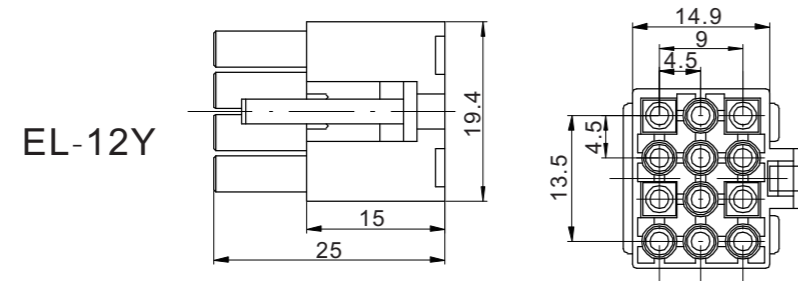
型号 Type	适用导线范围 Wire Range		导线外径 Wire ins.Dis
	mm ²	AWG#	
EL-A	0.5 ~ 1.3	20 ~ 16	1.8 ~ 2.35
材质 · 表面处理 Material and Finish			
磷青铜 Phos · bronze Tin · Plating			



型号 Type	适用导线范围 Wire Range		导线外径 Wire ins.Dis
	mm ²	AWG#	
EL-Y	0.13 ~ 0.33	26 ~ 22	1.3 ~ 1.6
材质 · 表面处理 Material and Finish			
磷青铜 Phos · bronze Tin · Plating			

阴连接器 HOUSING

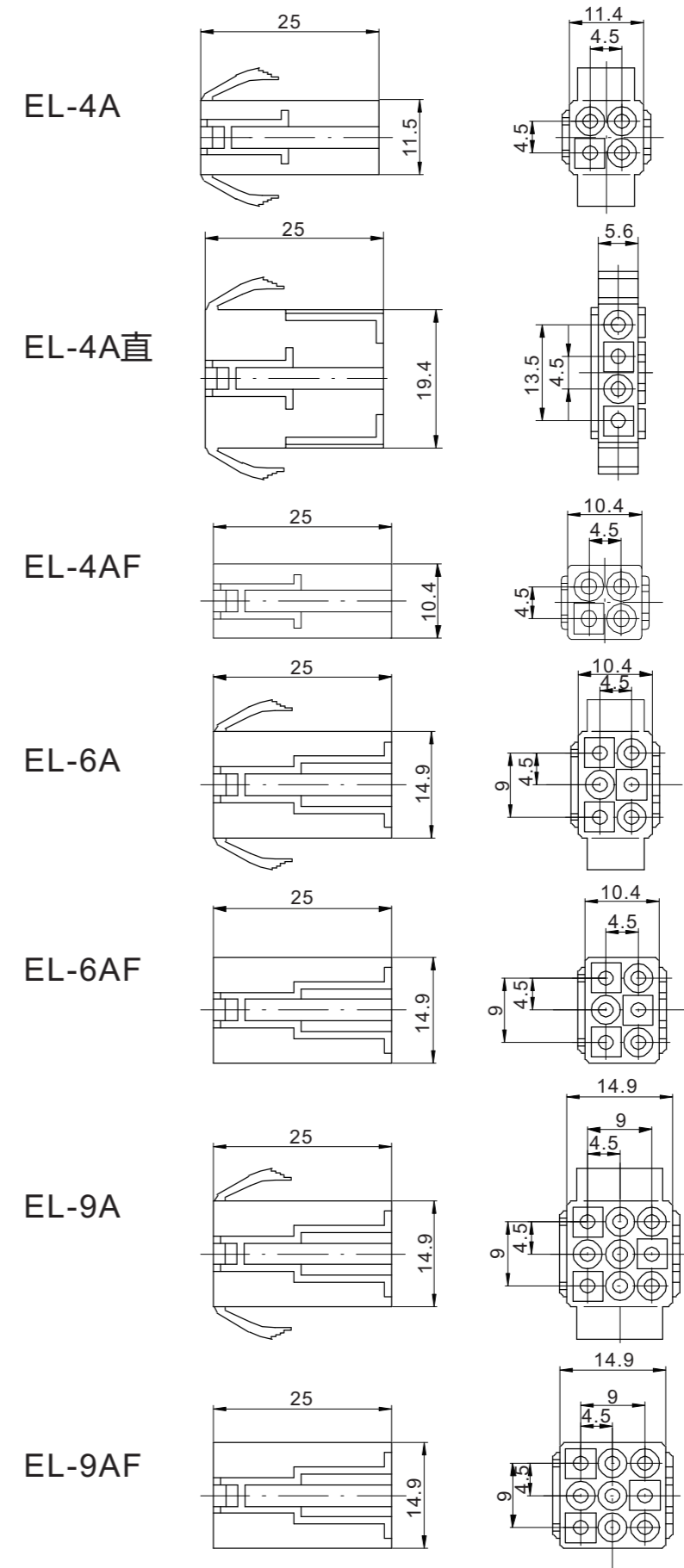
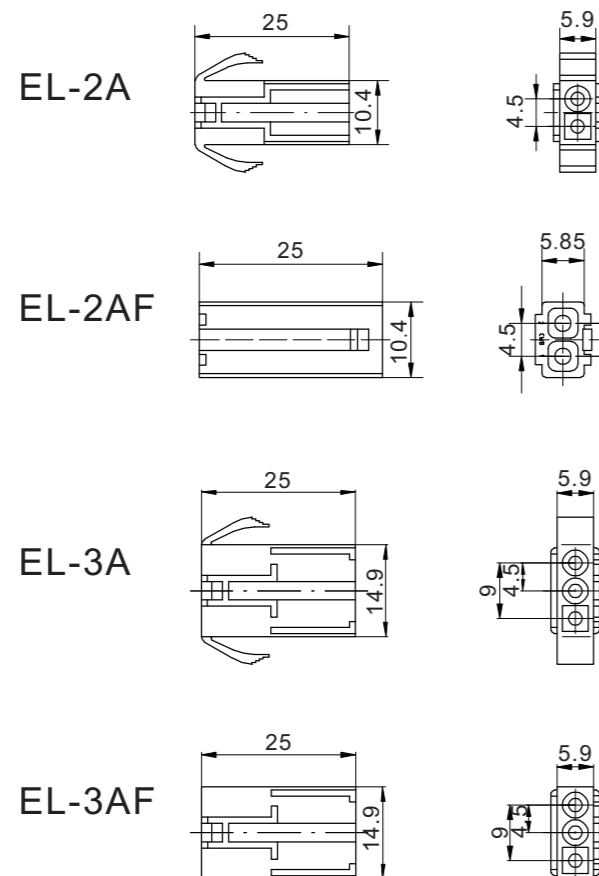


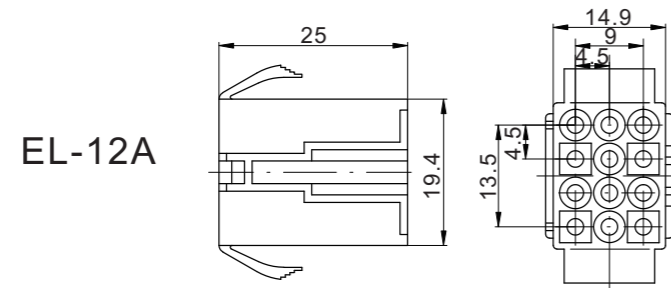


线数 Poles	型号 Type
2	EL-2Y
3	EL-3Y
4	EL-4Y/EL-4Y(直)
6	EL-6Y
9	EL-9Y
12	EL-12Y

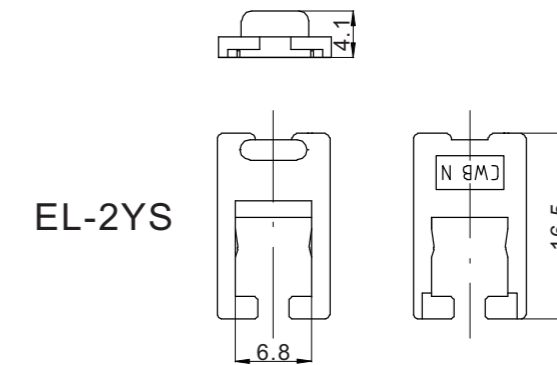
材质·表面处理 Material and Finish PA66 UL94V-2/ PA66 UL94V-0

阳连接器 Wafer



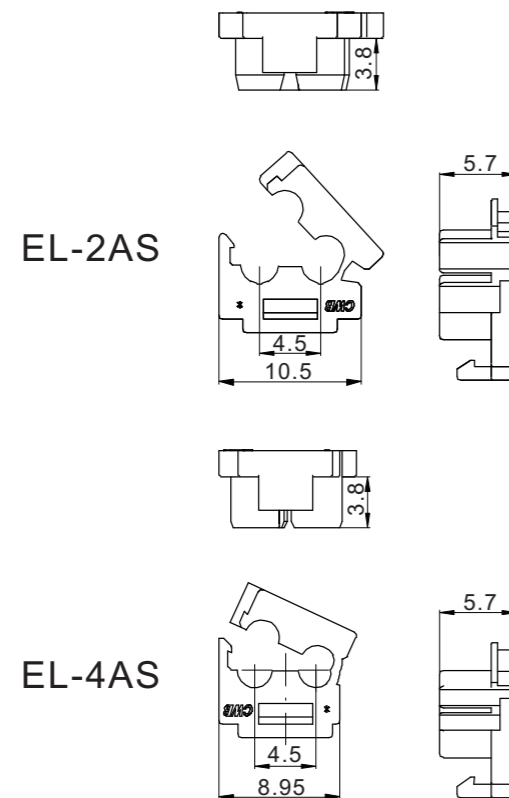


线数 Poles	型号 Type
2	EL-2A/EL-2AF
3	EL-3A/EL-3AF
4	EL-4A/EL-4A(直)/EL-4AF
6	EL-6A/EL-6AF
9	EL-9A/EL-9AF
12	EL-12A
材质·表面处理 Material and Finish PA66 UL94V-2/ PA66 UL94V-0	



线数 Poles	型号 Type
2	EL-2AS
2	EL-2YS
4	EL-4AS
材质·表面处理 Material and Finish PA66 UL94V-2/ PA66 UL94V-0	

锁紧片 Lock plate

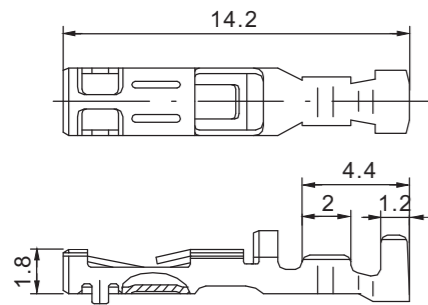




技术参数 (SPECIFICATIONS)

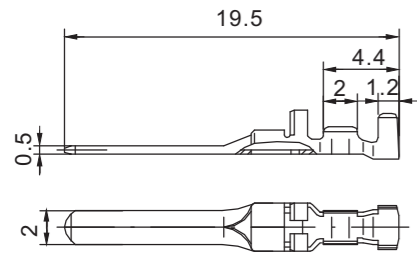
温度范围 (Temperature range) : -25℃~85℃
 额定电压 (Voltage rating) : 250V AC/DC
 额定电流 (Current rating) : 3A Max
 接触电阻 (Contact resistance) : ≤0.01Ω
 绝缘电阻 (Insulation resistance) : ≥1000MΩ
 耐压 (Withstand voltage) : 1000V AC/minute

阴连接器端子 FEMALE CRIMP TERMINAL



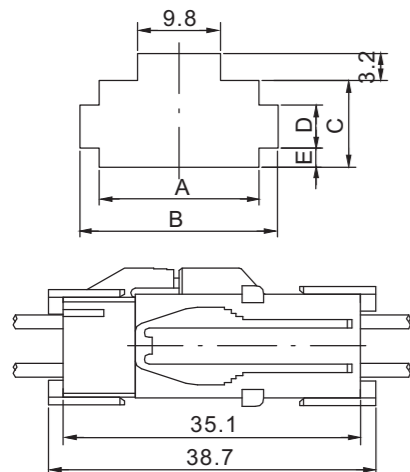
型号 Type	适用导线范围 Wire Range		导线外径 Wire ins.Dis
	mm ²	AWG#	
TJC4501 插簧	0.13~0.53	26~20	1.3~2.5
TJC4501 插簧 A	0.53~1.25	20~18	2.5~3.4
材质·表面处理 Material and Finish			
磷青铜 Phos·bronze Tin·Plated			

阳连接器端子 MALE CRIMP TERMINAL



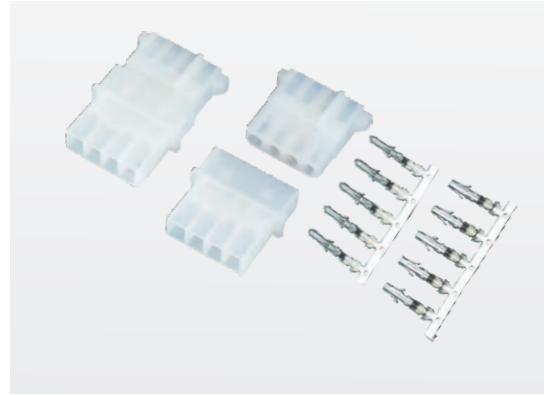
型号 Type	适用导线范围 Wire Range		导线外径 Wire ins.Dis
	mm ²	AWG#	
TJC4501 插针	0.13~0.53	26~20	1.3~2.5
TJC4501 插针 A	0.53~1.25	20~18	2.5~3.4
材质·表面处理 Material and Finish			
磷青铜 Phos·bronze Tin·Plated			

安装尺寸 MOUNTING MEASUREMENT



线数 Poles	型号 Type	适用基板厚度 Panel thickness(mm)	0.7 to 2.0			0.7 to 0.8		0.9 to 1.3		1.4 to 2.0	
			尺寸 Dimensions(mm)	A	B	C	D±0.1	E±0.1	D±0.1	E±0.1	D±0.1
2	TJC4501-2A		10.7	16.8	7.1	4.4	1.3	5.0	1.0	5.6	0.7
4	TJC4501-4A		10.7	16.8	12.9	7.1	2.85	7.7	2.55	8.3	2.25
6	TJC4501-6A		15.3	21.3	12.9	7.1	2.85	7.7	2.55	8.3	2.25

线数 Poles	额定电压 Rating 额定电流 Voltage	阳连接器 Wafer	阴连接器 Housing	锁紧片 Retainer
2	300V 7A	TJC4501-2A针座 	TJC4501-2Y孔座 	TJC4501-2AS锁紧片
		TJC4501-2A-1针座 		
4	300V 6A	TJC4501-4A针座 	TJC4501-4Y针座 	TJC4501-3AS锁紧片
6	300V 5A	TJC4501-6A针座 	TJC4501-6Y针座 	

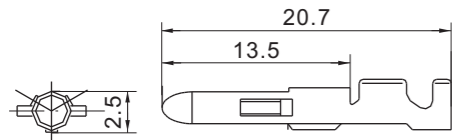


技术参数 (SPECIFICATIONS)

适用线规 (Applicable wires) : AWG20#~16#
 温度范围 (Temprature range) : -25°C~85°C
 额定电压 (Voltage rating) : 250V AC/DC
 额定电流 (Current rating) : 5A
 接触电阻 (Contact resistance) : ≤0.01Ω
 绝缘电阻 (Insulation resistance) : ≥1000MΩ
 耐压 (Withstand voltage) : 1500V AC/minute

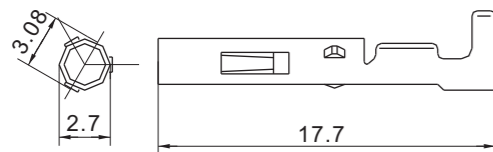
认证 (STANDARDS) : E200881

阳连接器端子 MALE CRIMP TERMINAL



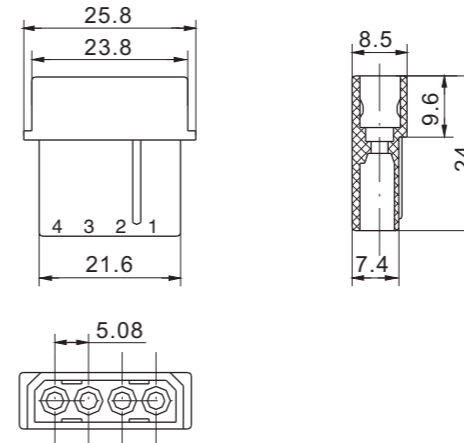
型号 Type	适用导线范围 Wire Range		导线外径 Wire ins.Dis
	mm ²	AWG#	
TJC10	0.52 ~ 1.25	20 ~ 16	2.37~2.4
材质 · 表面处理 Material and Finish			
磷青铜 Phos · bronze Tin · Plated			

阴连接器端子 FEMALE CRIMP TERMINAL

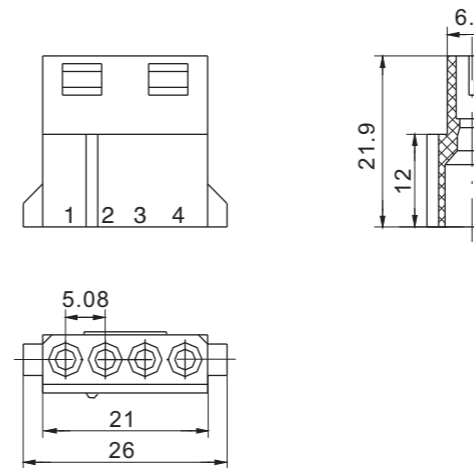


型号 Type	适用导线范围 Wire Range		导线外径 Wire ins.Dis
	mm ²	AWG#	
TJC10	0.52 ~ 1.25	20 ~ 16	2.37~2.4
材质 · 表面处理 Material and Finish			
磷青铜 Phos · bronze Tin · Plated			

阳连接器 WAFER



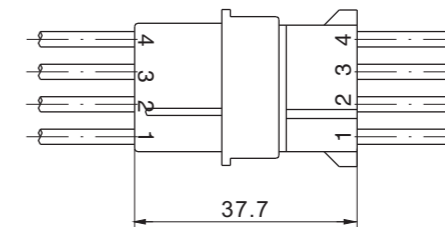
阴连接器 HOUSING



线数 Poles	型号 Type
4	TJC10-4A
材质 · 表面处理 Material and Finish	
PA66 UL94V-2 · Nature	

线数 Poles	型号 Type
4	TJC10-4Y
材质 · 表面处理 Material and Finish	
PA66 UL94V-2 · Nature	

安装尺寸 MOUNTING MEASUREMENT

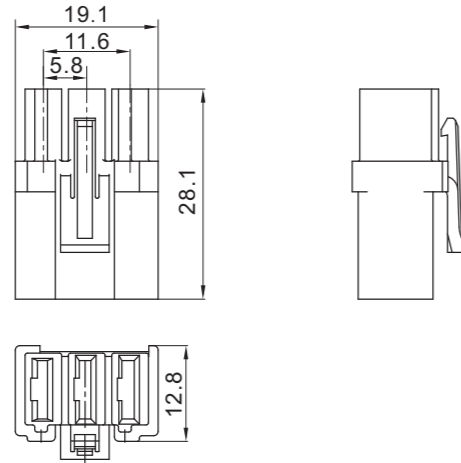




技术参数 (SPECIFICATIONS)

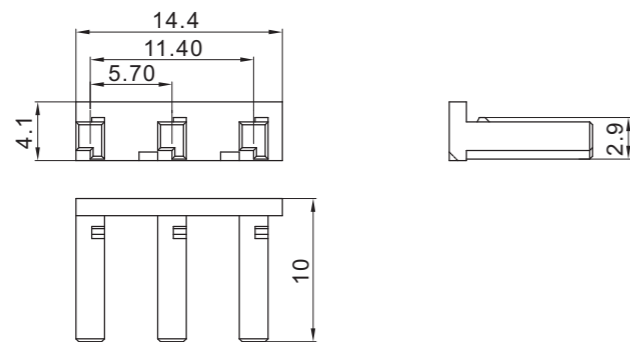
温度范围 (Temperature range) : -25℃~85℃

阴连接器 HOUSING

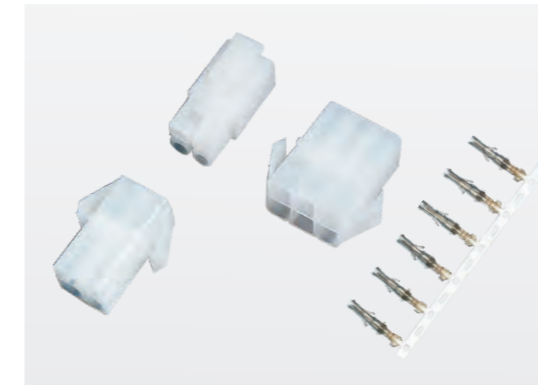


线数 Poles	型号 Type
3	TJC61-3Y
材质·表面处理 Material and Finish	
PC/PETPA66 450N UL94V-0 GWT750℃ · White	

限位扣 (LIMITING LOCK)



线数 Poles	型号 Type
3	TJC61-3Y 限位扣
材质·表面处理 Material and Finish	
PC/PETPA66 450N UL94V-0 GWT750℃ · White	

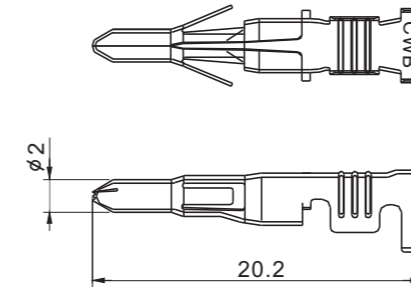


技术参数 (SPECIFICATIONS)

温度范围 (Temperature range) : -25℃~85℃
 额定电压 (Voltage rating) : 250V AC/DC
 额定电流 (Current rating) : 5A
 接触电阻 (Contact resistance) : ≤0.01Ω
 绝缘电阻 (Insulation resistance) : ≥1000MΩ
 耐压 (Withstand voltage) : 1500V AC/minute
 材料 (Material) :
 阳连接器 Wafer: PA66 UL94V-0 White
 阴连接器 Housing: PA66 UL94V-0 White

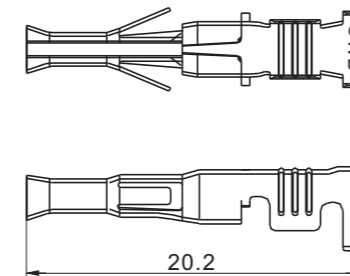
认证 (STANDARDS) : E200881

阳连接器端子 MALE CRIMP TERMINAL



型号 Type	适用导线范围 Wire Range		导线外径 Wire ins.Dis
	mm ²	AWG#	
L6.2	0.52 ~ 1.25	18 ~ 22	2.3~3.4
材质·表面处理 Material and Finish			
磷青铜 Phos · bronze Tin · Plated			

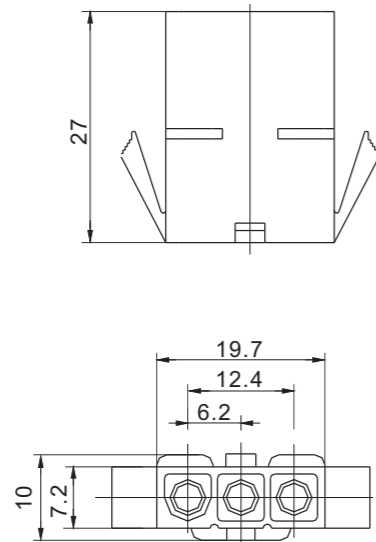
阴连接器端子 FEMALE CRIMP TERMINAL



型号 Type	适用导线范围 Wire Range		导线外径 Wire ins.Dis
	mm ²	AWG#	
L6.2	0.52 ~ 1.25	18 ~ 22	2.3~3.4
材质·表面处理 Material and Finish			
磷青铜 Phos · bronze Tin · Plated			

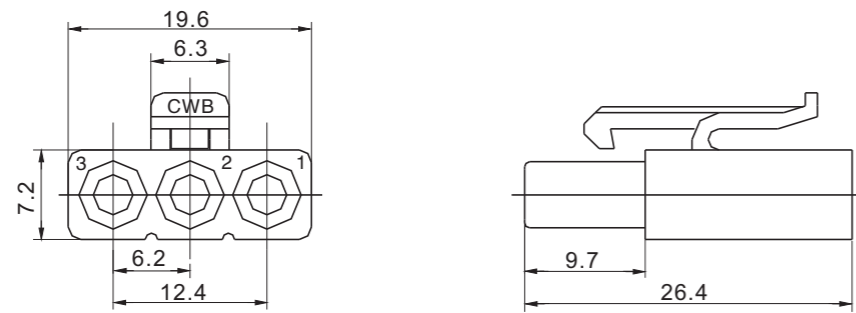
阳连接器 WAFER

L6.2-3A

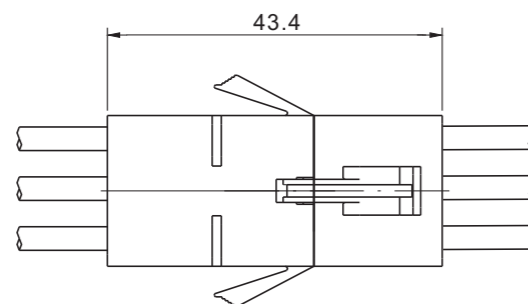


阴连接器 HOUSING

L6.2-3Y



安装尺寸 MOUNTING MEASUREMENT




示图 Sample						
	(1 CIRCUITS)	(2 CIRCUITS)	(3 CIRCUITS)	(4 CIRCUITS)	(4 CIRCUITS)	
型号 Type	阴连接器 Housing	L6.2-1Y	L6.2-2Y	L6.2-3Y	L6.2-4Y	L6.2-4Y
	阳连接器 Wafer	L6.2-1A	L6.2-2A	L6.2-3A	L6.2-4A	L6.2-4A
尺寸 Dimensions	A	/	6.2	12.4	18.6	6.2
	B	7.2	13.4	19.6	25.8	13.4
	C	7.2	7.2	7.2	7.2	13.4
示图 Sample						
	(6 CIRCUITS)	(9 CIRCUITS)	(12 CIRCUITS)	(15 CIRCUITS)		
型号 Type	阴连接器 Housing	L6.2-6Y	L6.2-9Y	L6.2-12Y	L6.2-15Y	
	阳连接器 Wafer	L6.2-6A	L6.2-9A	L6.2-12A	L6.2-15A	
尺寸 Dimensions	A	12.4	12.4	18.6	24.8	
	B	19.6	19.6	25.8	32.0	
	C	13.4	19.6	19.6	19.6	

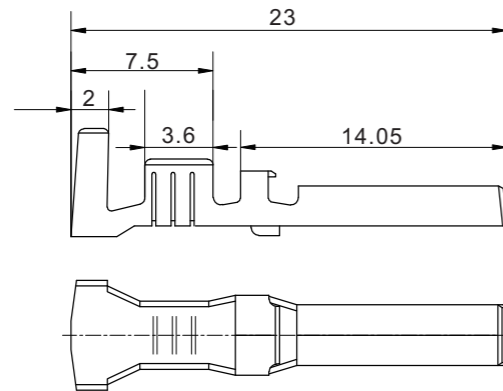


技术参数 (SPECIFICATIONS)

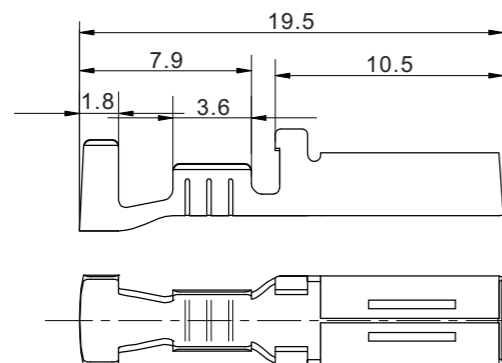
适用线规 (Applicable wires) : AWG16#~AWG14#与
AWG18#~AWG22#
温度范围 (Temperature range) : -25°C~+85°C
额定电压 (Voltage rating) : 300V AC/DC
额定电流 (Current rating) : 20A
接触电阻 (Contact resistance) : ≤0.02Ω
绝缘电阻 (Insulation resistance) : ≥100MΩ
耐电压 (Withstand voltage) : 2200V AC/minute

认证 (STANDARDS) :  E200881

端子 Contact

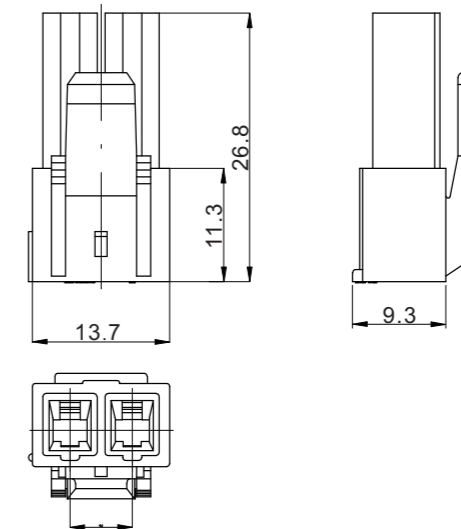


型号 Type	适用导线范围 Wire Range		导线外径 Wire ins.Dis
	mm ²	AWG#	
TJC6201 插针	1.3~2.1	16~14	2.35~2.6
材质·表面处理 Material and Finish			
黄铜 Brass Tin·Plating			

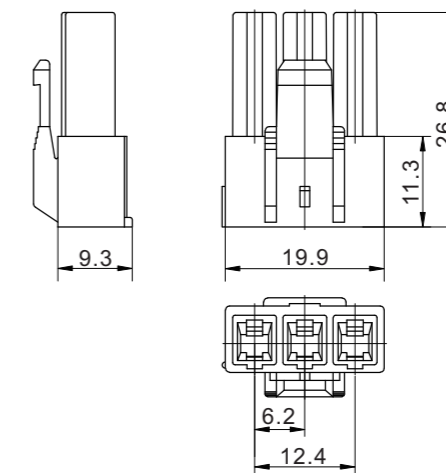


型号 Type	适用导线范围 Wire Range		导线外径 Wire ins.Dis
	mm ²	AWG#	
TJC6201 插簧	1.3~2.1	16~14	2.35~2.6
TJC6201 插簧 1	0.33~0.82	22~18	1.6~2.05
材质·表面处理 Material and Finish			
磷青铜 镀锡 Phos·bronze Tin·Plating			

阴连接器 HOUSING

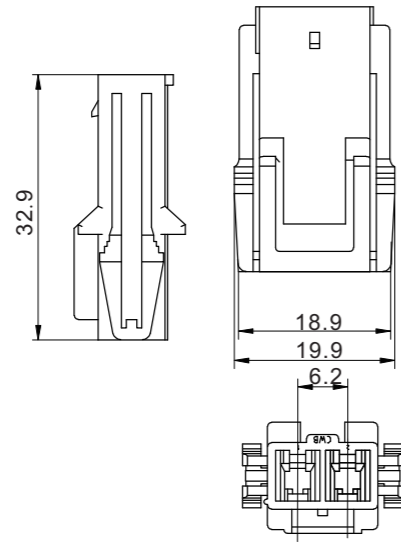


线数 Poles	型号 Type
2	TJC6201-2Y
材质·表面处理 Material and Finish PC UL94V-0	

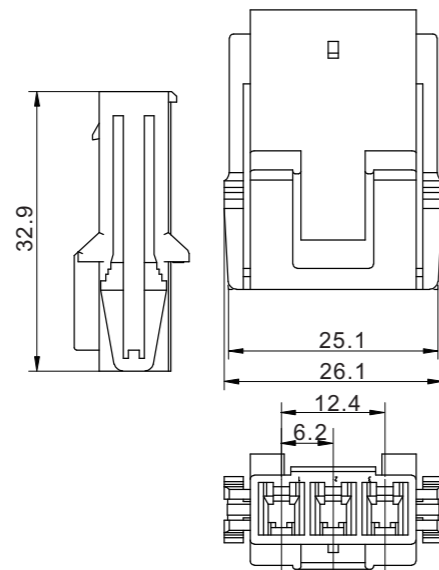


线数 Poles	型号 Type
3	TJC6201-3Y
材质·表面处理 Material and Finish PC UL94V-0	

阳连接器 Wafer

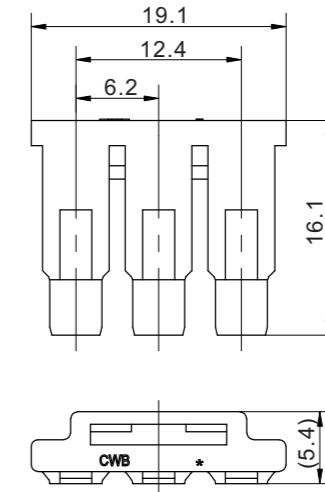


线数 Poles	型号 Type
2	TJC6201-2A
材质·表面处理 Material and Finish PC UL94V-0	



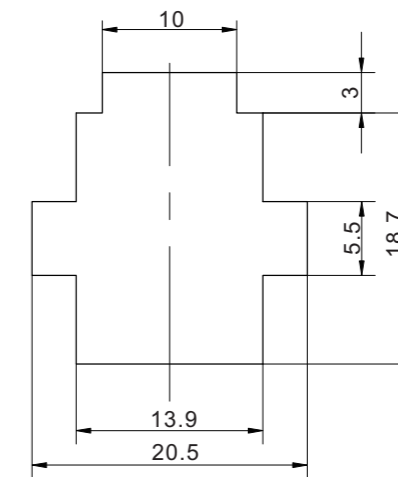
线数 Poles	型号 Type
3	TJC6201-3A
材质·表面处理 Material and Finish PC UL94V-0	

锁紧片 Lock Plate

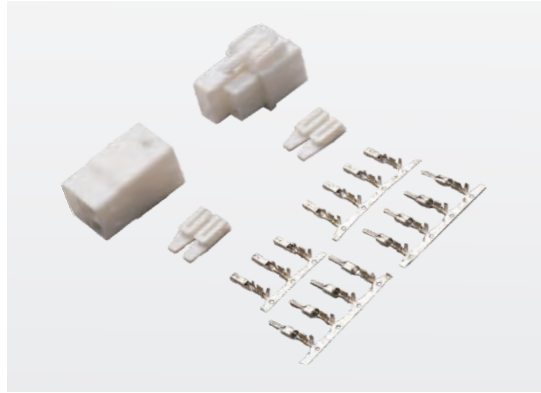


线数 Poles	型号 Type
3	TJC6201-3AYS
材质·表面处理 Material and Finish PA66 UL94V-0	

安装尺寸 MOUNTING MEASUREMENT



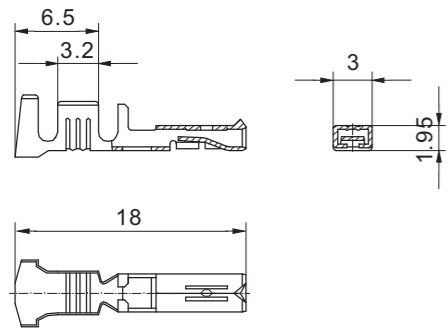
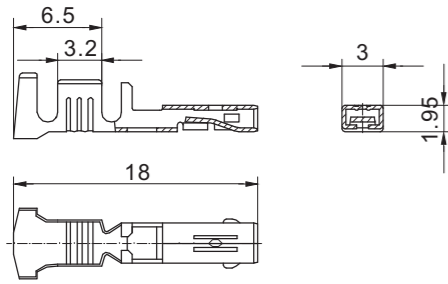
线数 Poles	型号 Type	尺寸 Dimensions (mm)		
		A	B	C
2	TJC6201-2A	13.9	20.5	18.7
3	TJC6201-3A	20.1	26.7	8.7



技术参数 (SPECIFICATIONS)

适用线规 (Applicable wires) : AWG14#~22#
 温度范围 (Temprature range) : -25℃~85℃
 额定电压 (Voltage rating) : 250V AC/DC
 额定电流 (Current rating) :
 AWG24# 3A,AWG22# 4A,AWG20# 5A,
 AWG18# 7A,AWG16# 10A,AWG14# 15A
 接触电阻 (Contact resistance) : ≤0.01Ω
 绝缘电阻 (Insulation resistance) : ≥1000MΩ
 耐压 (Withstand voltage) : 800V AC/minute
 材料(Material):
 Housing:PC/PET UL94V-0 or Pa66 UL94V-0

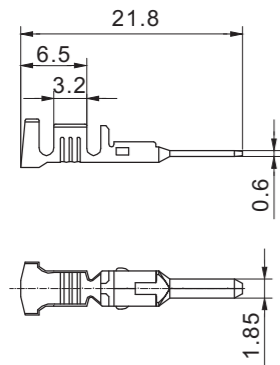
阴连接器端子 FEMALE CRIMP TERMINAL



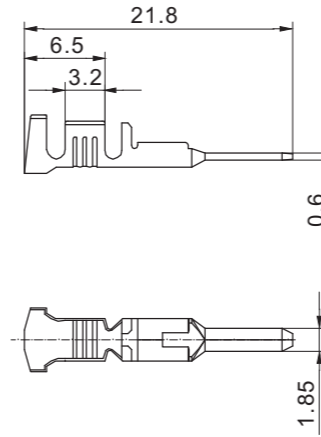
型号 Type	适用导线范围 Wire Range		导线外径 Wire ins.Dis
	mm ²	AWG#	
FL 插簧 1	0.33 ~ 0.52	22 ~ 20	1.6~2.55
FL 插簧 2	0.83 ~ 2.0	18 ~ 14	2.05~3.5
FL 插簧 5	0.22	24	1.4~2.2
材质·表面处理 Material and Finish			
磷青铜 Phos·bronze Tin·plated			

型号 Type	适用导线范围 Wire Range		导线外径 Wire ins.Dis
	mm ²	AWG#	
FL 插簧 3	0.33 ~ 0.52	22 ~ 20	1.6~2.55
FL 插簧 4	0.83 ~ 2.0	18 ~ 14	2.05~3.5
FL 插簧 6	0.22	24	1.4~2.2
材质·表面处理 Material and Finish			
磷青铜 Phos·bronze Tin·plated			

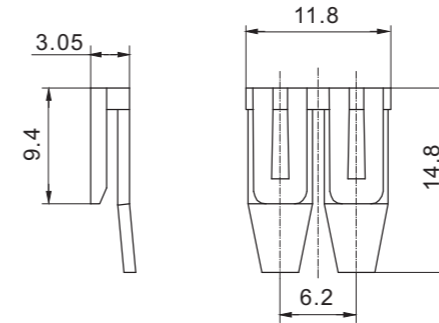
阳连接器端子 MALE CRIMP TERMINAL



型号 Type	适用导线范围 Wire Range		导线外径 Wire ins.Dis
	mm ²	AWG#	
FL 插针 1	0.33 ~ 0.52	22 ~ 20	1.6~2.55
FL 插针 2	0.83 ~ 2.0	18 ~ 14	2.05~3.5
FL 插针 5	0.22	24	1.4~2.2
材质·表面处理 Material and Finish			
磷青铜 Phos·bronze Tin·plated			

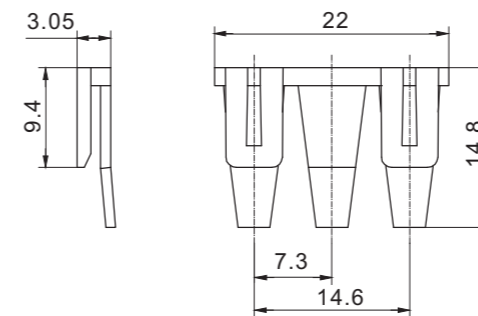


适配锁紧片 RETAINER



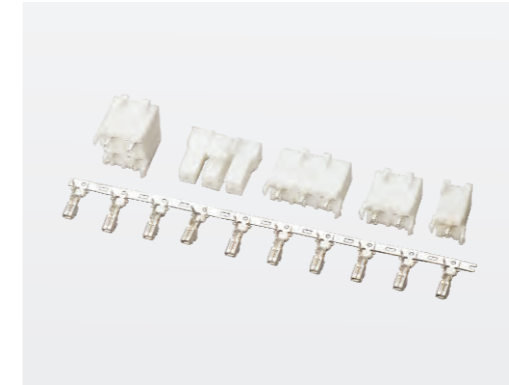
型号 Type	适用导线范围 Wire Range		导线外径 Wire ins.Dis
	mm ²	AWG#	
FL 插针 3	0.33 ~ 0.52	22 ~ 20	1.6~2.55
FL 插针 4	0.83 ~ 2.0	18 ~ 14	2.05~3.5
FL 插针 6	0.22	24	1.4~2.2
材质·表面处理 Material and Finish			
磷青铜 Phos·bronze Tin·plated			

线数 Poles	型号 Type
2	FL-2AS
材质·表面处理 Material and Finish	
PA66 UL94V-2·Nature	



线数 Poles	型号 Type
3	FL-3AS
材质·表面处理 Material and Finish	
PA66 UL94V-2·Nature	

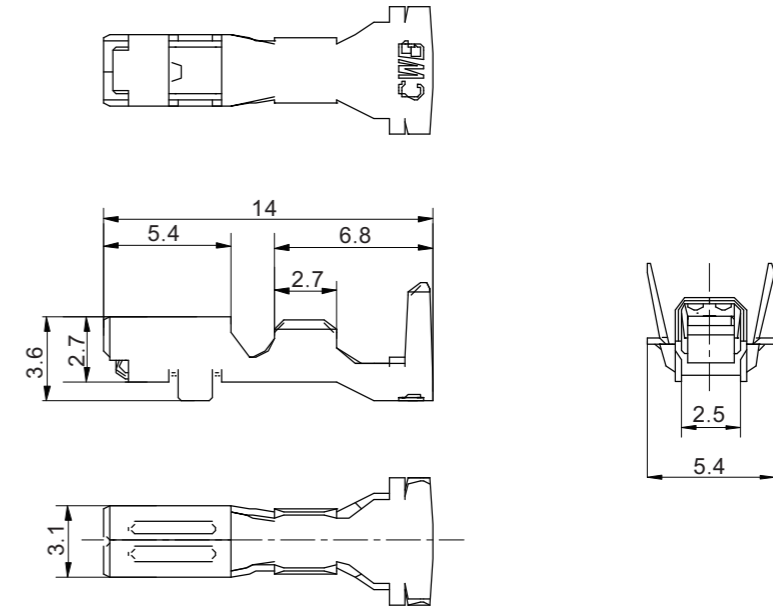
间距 (Space)	阳连接器 Wafer	阴连接器 Housing
6.2mm	<p>FL-2A</p>	<p>FL-2Y</p>
6.2mm	<p>FL-4A</p>	<p>FL-4Y</p>
	<p>FL-4A-1</p>	<p>FL-4Y-1</p>
7.3mm	<p>FL-6A</p>	<p>FL-6Y</p>



技术参数 (SPECIFICATIONS)

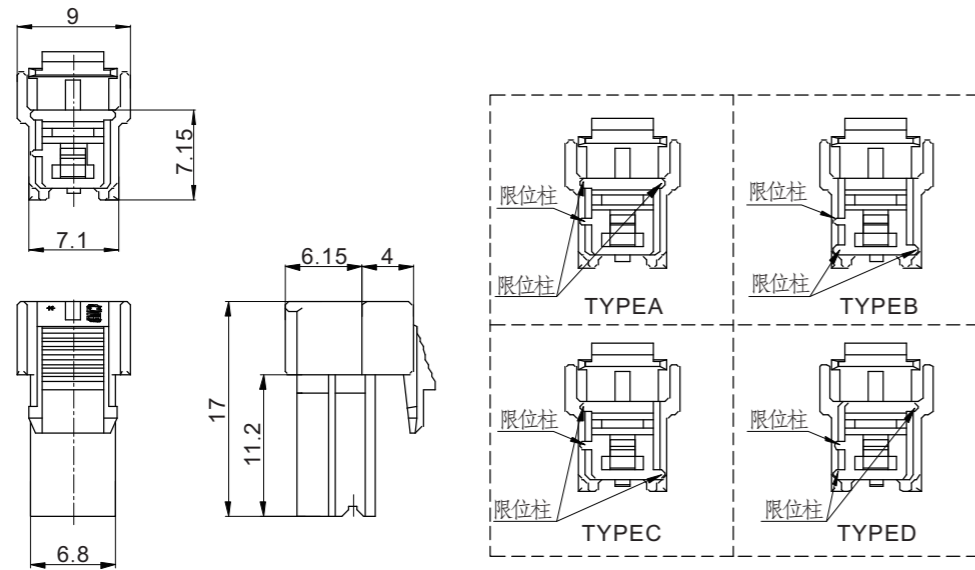
适用线规 (Applicable wires) : AWG22#~18#
 温度范围 (Temperature range) : -40℃~100℃
 额定电压 (Voltage rating) : 250V AC/DC
 额定电流 (Current rating) : 8A
 接触电阻 (Contact resistance) : ≤0.02Ω
 绝缘电阻 (Insulation resistance) : ≥1000MΩ
 耐压 (Withstand voltage) : 1500V AC/minute

端子 TERMINAL



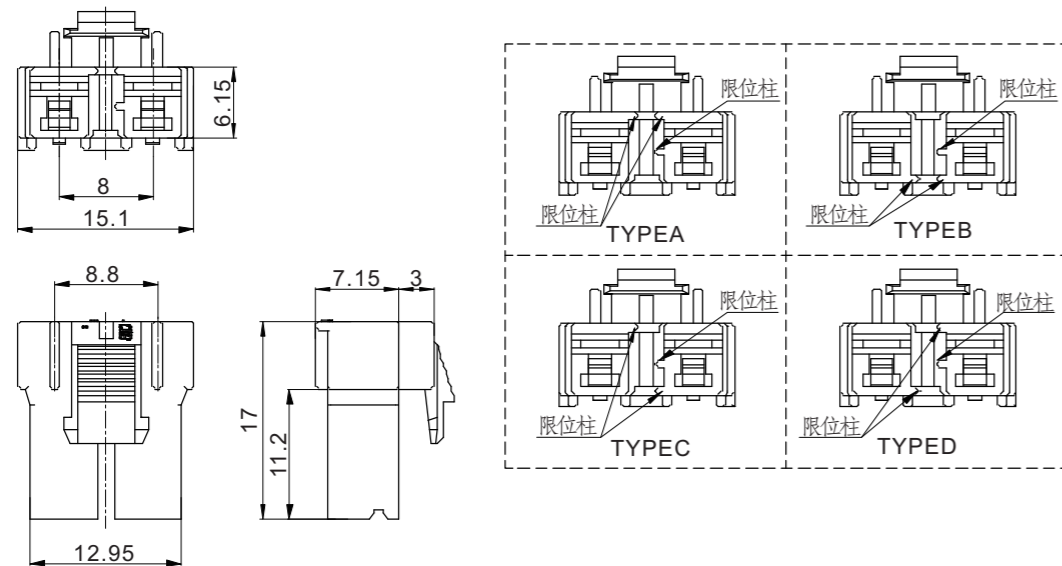
型号 Type	适用导线范围 Wire Range		导线外径 Wire ins.Dis
	mm ²	AWG#	
CH-TJC80001	0.3 ~ 0.75	22 ~ 18	2.0 ~ 2.35
材质 · 表面处理 Material and Finish			
磷青铜 Phos · bronze Tin · Plated			

阴连接器 HOUSING



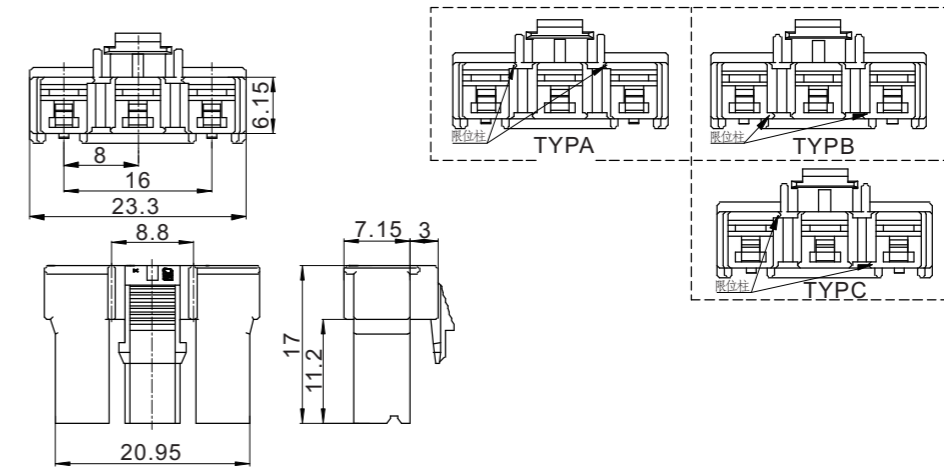
线数 Poles	型号 Type	
1	TYPE D	TJC80001-1Y YW
1	TYPE C	TJC80001-1Y BL
1	TYPE B	TJC80001-1Y RD
1	TYPE A	TJC80001-1Y WT
材质·表面处理 Material and Finish PA66 UL94V-0		

阴连接器 HOUSING



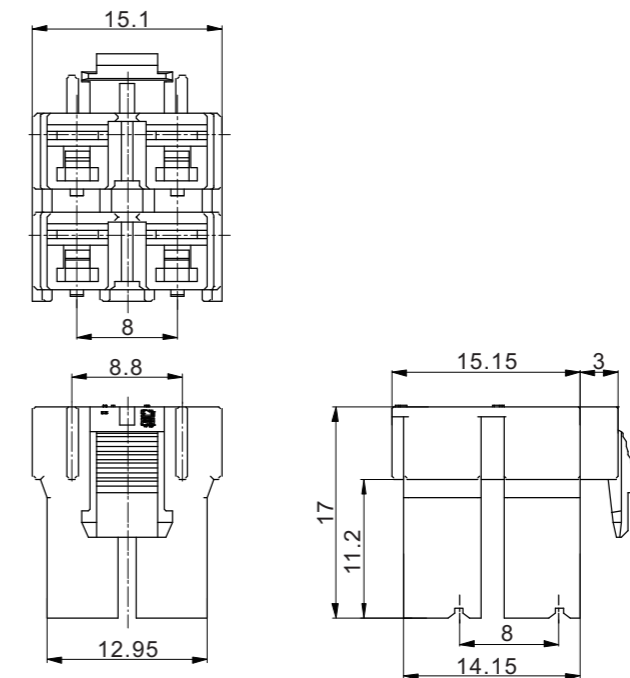
阴连接器 HOUSING

线数 Poles	型号 Type	
2	TYPE D	TJC80001-2Y GY
2	TYPE C	TJC80001-2Y BL
2	TYPE B	TJC80001-2Y RD
2	TYPE A	TJC80001-2Y WT
材质·表面处理 Material and Finish PA66 UL94V-0		



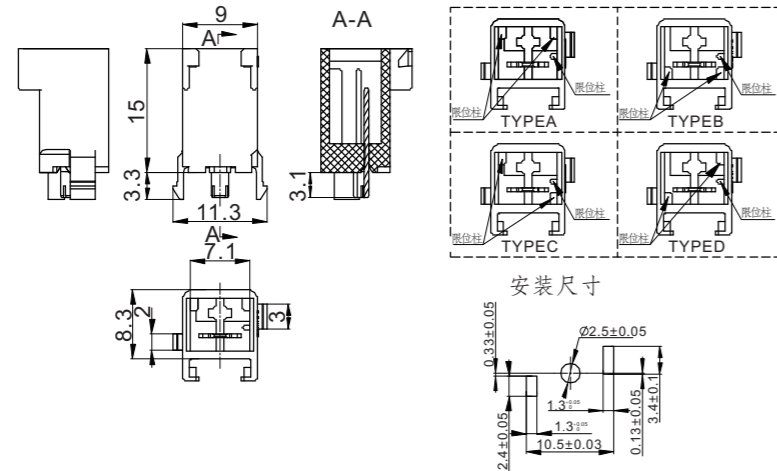
线数 Poles	型号 Type	
3	TYPE C	TJC80001-2Y BL
3	TYPE B	TJC80001-2Y RD
3	TYPE A	TJC80001-2Y WT
材质·表面处理 Material and Finish PA66 UL94V-0		

阴连接器 HOUSING



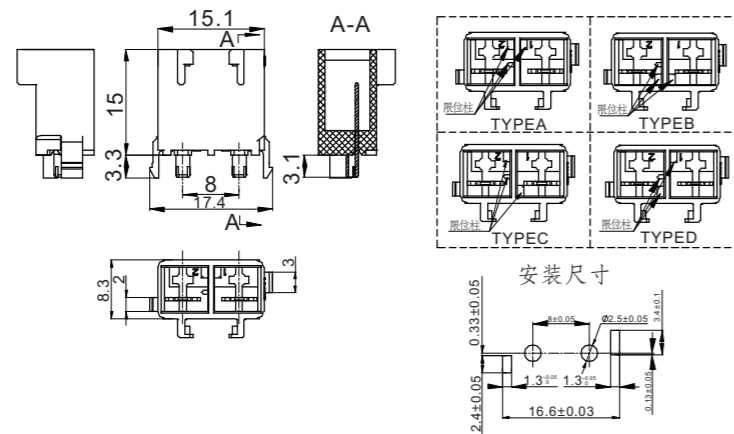
线数 Poles	型号 Type
4	TJC80001-4Y WT
材质·表面处理 Material and Finish PA66 UL94V-0	

阳连接器 WAFER



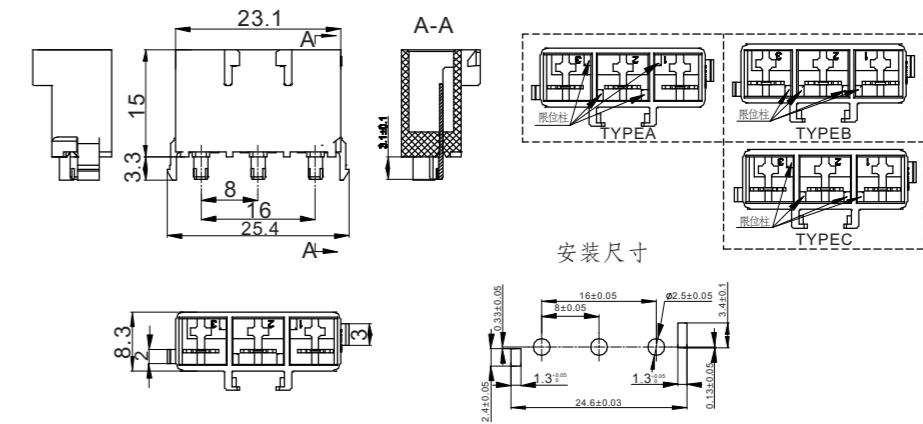
线数 Poles	型号 Type	
2	TYPE D	TJC80001-2A GY
2	TYPE C	TJC80001-2A BL
2	TYPE B	TJC80001-2A RD
2	TYPE A	TJC80001-2A WT
材质·表面处理 Material and Finish PA66 UL94V-0		

阳连接器 WAFER



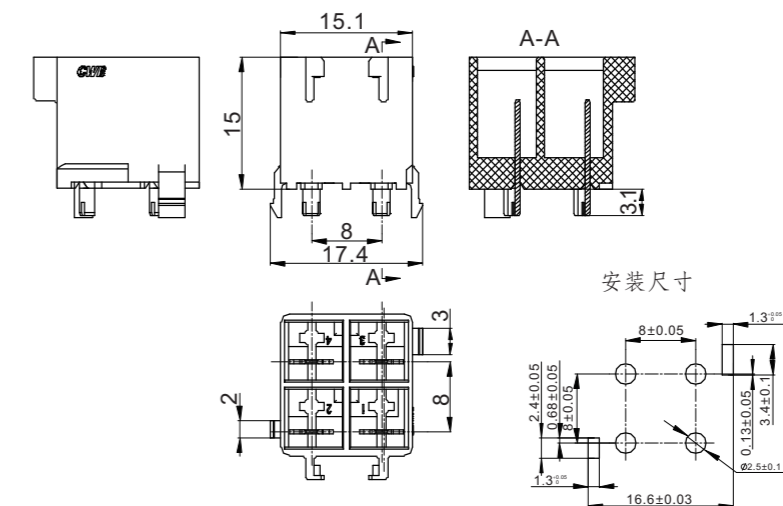
线数 Poles	型号 Type	
2	TYPE D	TJC80001-2A GY
2	TYPE C	TJC80001-2A BL
2	TYPE B	TJC80001-2A RD
2	TYPE A	TJC80001-2A WT
材质·表面处理 Material and Finish PA66 UL94V-0		

阳连接器 WAFER



线数 Poles	型号 Type	
3	TYPE C	TJC80001-3A BL
3	TYPE B	TJC80001-3A RD
3	TYPE A	TJC80001-3A WT
材质·表面处理 Material and Finish PA66 UL94V-0		

阳连接器 WAFER



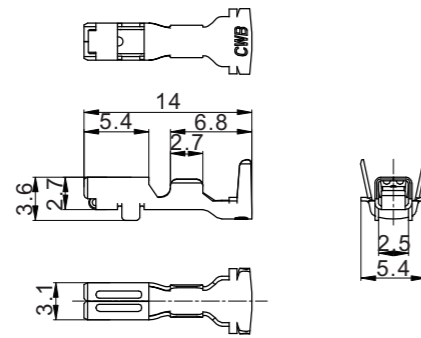
线数 Poles	型号 Type	
4	TJC80001-4A WT	
材质·表面处理 Material and Finish PA66 UL94V-0		



技术参数 (SPECIFICATIONS)

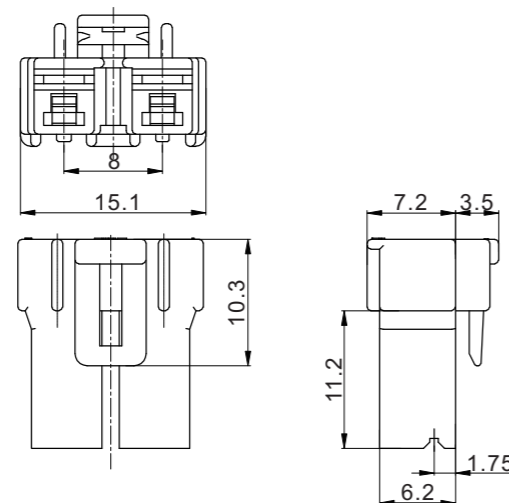
适用线规 (Applicable wires) : AWG22#~18#
 温度范围 (Temperature range) : -40°C~100°C
 额定电压 (Voltage rating) : 250V AC/DC
 额定电流 (Current rating) : 8A
 接触电阻 (Contact resistance) : $\leq 0.02\Omega$
 绝缘电阻 (Insulation resistance) : $\geq 1000M\Omega$
 耐电压 (Withstand voltage) : 1500V AC/minute

端子 TERMINAL



型号 Type	尺寸 Dimensions (mm)		导线外径 Wire ins.Dis
	mm ²	AWG#	
CH-TJC80001	0.3~0.75	22~18	2.0~2.35
材质·表面处理 Material and Finish			
磷青铜 Phos·bronze Tin·Plated			

阴连接器 HOUSING




线数 Poles	型号 Type
2	TJC80002-2Y
材质·表面处理 Material and Finish PA66 UL94V-0	

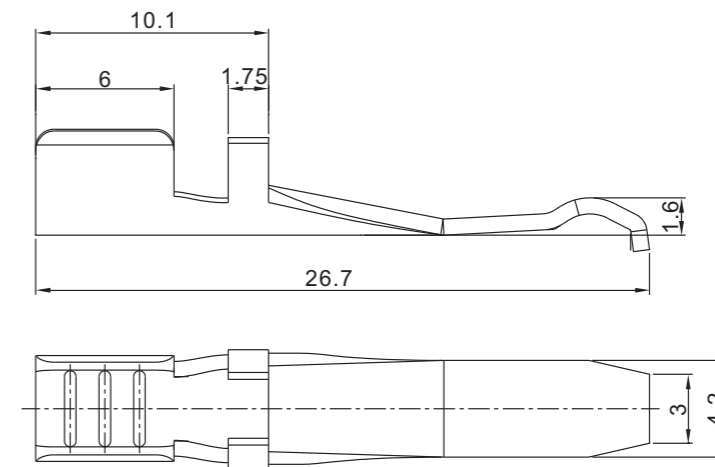


技术参数 (SPECIFICATIONS)

适用线规 (Applicable wires) : AWG18#~AWG14#
 温度范围 (Temperature range) : -20°C~+105°C
 额定电压 (Voltage rating) : 600V AC/DC
 额定电流 (Current rating) : 30A
 接触电阻 (Contact resistance) : $\leq 0.6M\Omega$
 绝缘电阻 (Insulation resistance) : $\geq 1000M\Omega$
 耐电压 (Withstand voltage) : 2200V AC/minute

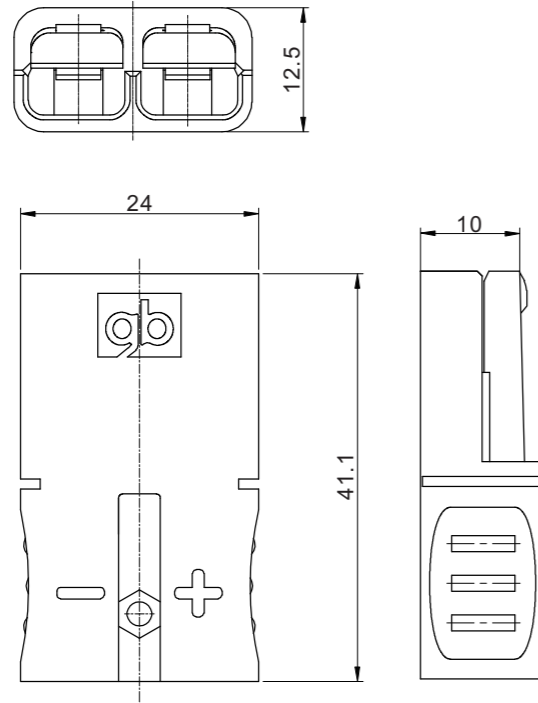
认证 (STANDARDS) :  E200881

端子 Contact



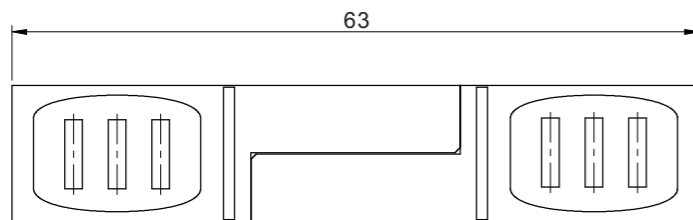
型号 Type	适用导线范围 Wire Range		导线外径 Wire ins.Dis
	mm ²	AWG#	
CZ530	0.82~2.1	18~14	2.05~2.6
材质·表面处理 Material and Finish			
磷青铜 T2Y2 Ag·Plating			

阳连接器 Wafer

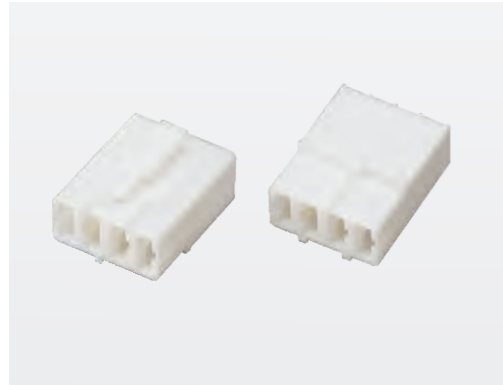


线数 Poles	型号 Type
2	CA666 组件
材质·表面处理 Material and Finish PCUL94V-0 ; SUS	

安装尺寸 MOUNTING MEASUREMENT




产品名称 (Part No) : TT6.3硬护套A 线数 (Poles) : 1 材料 (Material) : Pa66 UL94V-2 颜色 (Color) : 半透明 (Nature)		
产品名称 (Part No) : TR6.3硬护套B 线数 (Poles) : 1 材料 (Material) : Pa66 UL94V-0 颜色 (Color) : 白色 (White)		
产品名称 (Part No) : TR6.3硬护套C 线数 (Poles) : 1 材料 (Material) : Pa66 UL94V-0 颜色 (Color) : 绿色 (Green)		
产品名称 (Part No) : TR4.8硬护套A 线数 (Poles) : 1 材料 (Material) : PC UL94V-0 颜色 (Color) : 白色 (White)		
产品名称 (Part No) : TR6.3*0.8插簧护套E 线数 (Poles) : 1 材料 (Material) : PC UL94V-0 颜色 (Color) : 白色 (White)		



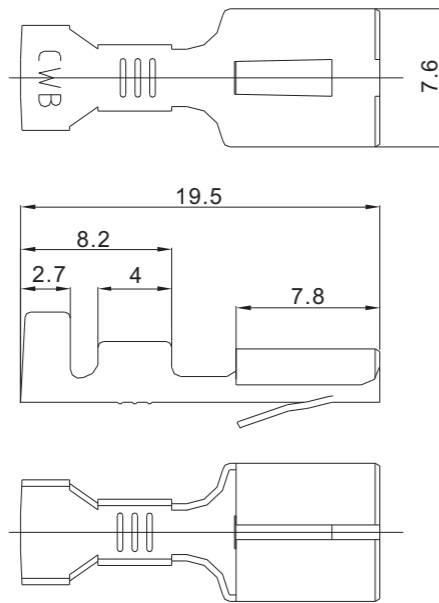
技术参数 (SPECIFICATIONS)

适用线规 (Applicable wires) : AWG20#+AWG20#、
AWG20#+AWG18#、
AWG20#+AWG16#、
AWG18#+AWG18#

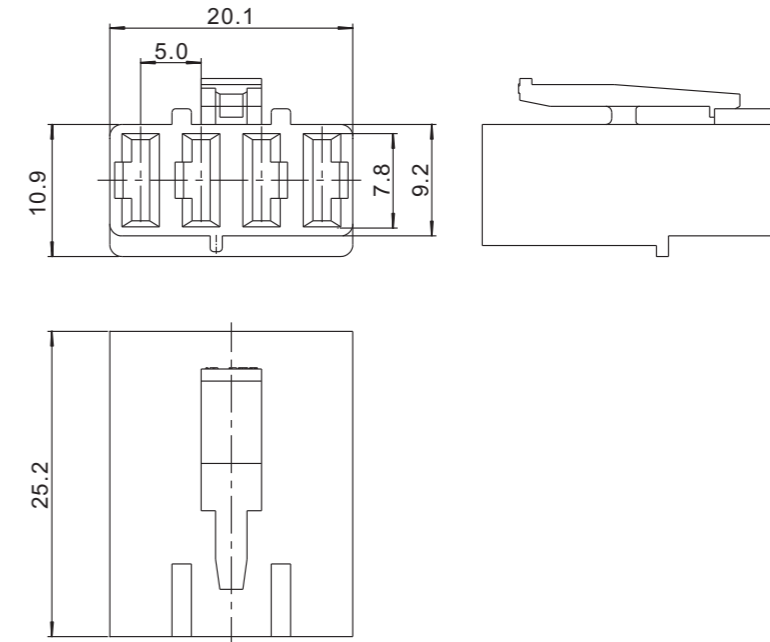
温度范围 (Temperature range) : -25℃~+85℃
额定电压 (Voltage rating) : 250V AC/DC
额定电流 (Current rating) : 15A
接触电阻 (Contact resistance) : ≤0.02Ω
绝缘电阻 (Insulation resistance) : ≥1000MΩ
耐压 (Withstand voltage) : 2200V AC/minute

认证 (STANDARDS) :  E200881

阴连接器端子 Socket Contact



阴连接器 Housing



线数 Poles	型号 Type
4	CY465
材质 · 表面处理 Material and Finish	PC UL94V-0

型号 Type	适用导线范围 Wire Range		导线外径 Wire ins.Dis
	mm ²	AWG#	
TR6.3*0.8S1	0.51+0.51	20+20	1.8+1.8
	0.51+0.82	20+18	1.8+2.05
	0.51+1.3	20+16	1.8+2.35
	0.82+0.82	18+18	2.05+2.05
材质 · 表面处理 Material and Finish			
黄铜 Brass Tin · Plating			



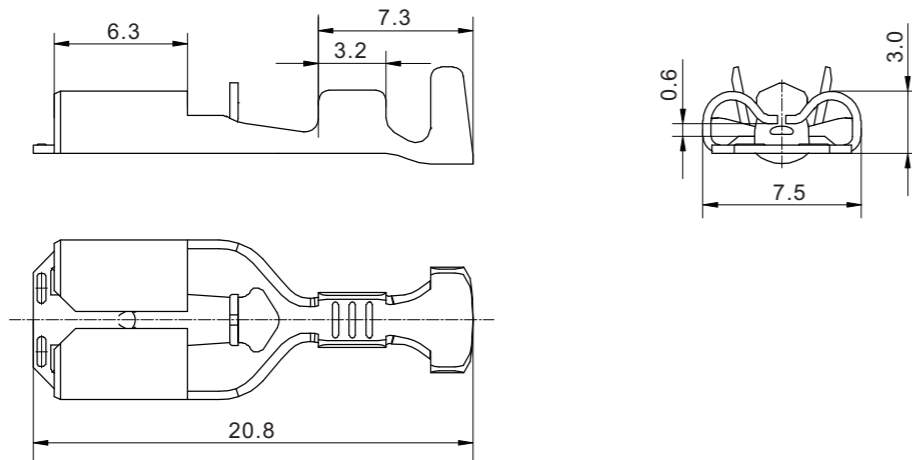
技术参数 (SPECIFICATIONS)

适用线规 (Applicable wires) : AWG22#~20#

插簧类型	芯线截面积 mm ²	绝缘皮外径 mm
CH-TJC15002-1	0.3~0.5	∅ 1.5- ∅ 2.15
CH-TJC15002-2	0.5×0.5	∅ 2.15×2

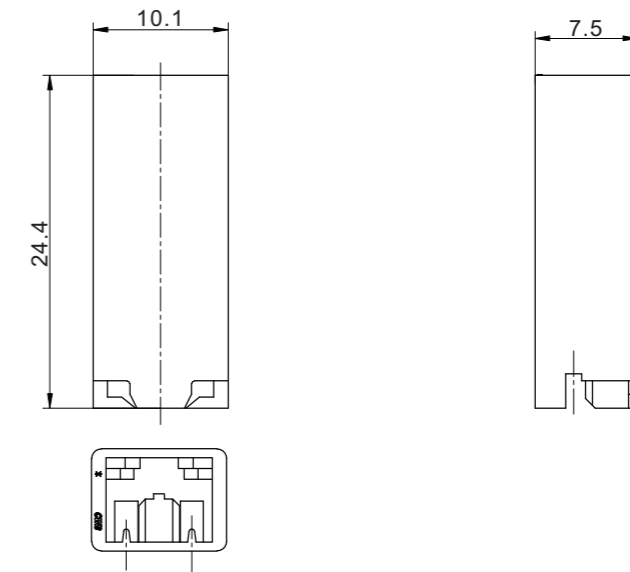
温度范围 (Temperature range) : -40℃~+120℃
 额定电压 (Voltage rating) : 250V AC/DC
 额定电流 (Current rating) : 3A
 接触电阻 (Contact resistance) : ≤0.01Ω
 绝缘电阻 (Insulation resistance) : ≥1000MΩ
 耐压 (Withstand voltage) : 1500V AC/minute

端子 Contact

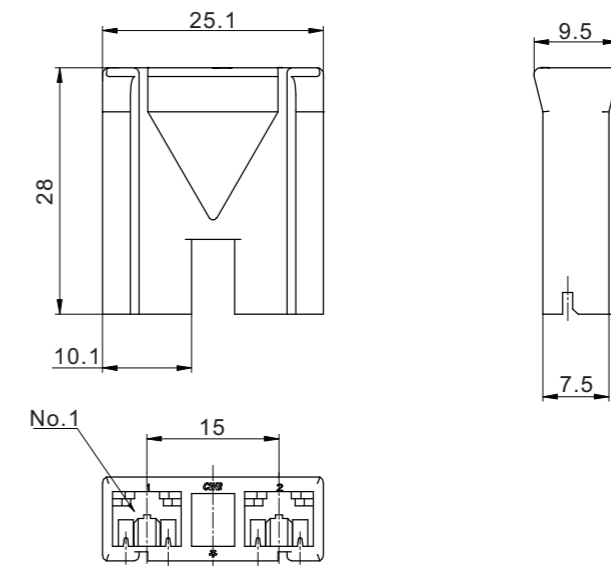


型号 Type	适用导线范围 Wire Range	
	mm ²	线型 Wire Type
CH-TJC15002-1	0.3	AVR-90
	0.5	60227IEC08 RV-90
CH-TJC15002-2	0.5×2	60227 IEC08 RV-90
材质·表面处理 Material and Finish		
黄铜 Brass Tin·Plating		

阴连接器 Housing



线数 Poles	型号 Type
1	TJC15002-1Y
材质·表面处理 Material and Finish PA66 UL94V-0	



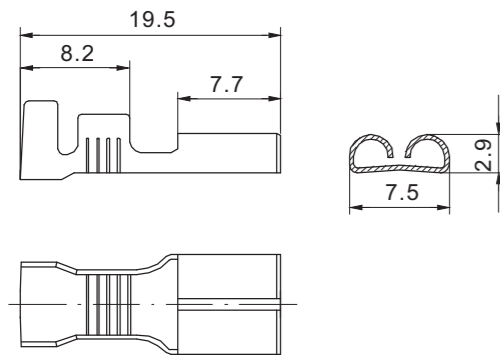
线数 Poles	型号 Type
2	TJC15002-2Y
材质·表面处理 Material and Finish PA66 UL94V-0	



技术参数 (SPECIFICATIONS)

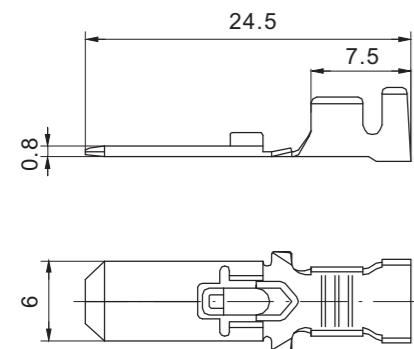
适用线规 (Applicable wires) : AWG18#~12#
 温度范围 (Temperature range) : -25℃~85℃
 额定电压 (Voltage rating) : 250V AC/DC
 额定电流 (Current rating) : 5A
 接触电阻 (Contact resistance) : ≤0.01Ω
 绝缘电阻 (Insulation resistance) : ≥1000MΩ
 耐压 (Withstand voltage) : 2200V AC/minute
 灼热丝测试 (Glow-wire test) : 850℃ ;750℃ no flame

阴连接器端子 FEMALE CRIMP TERMINAL



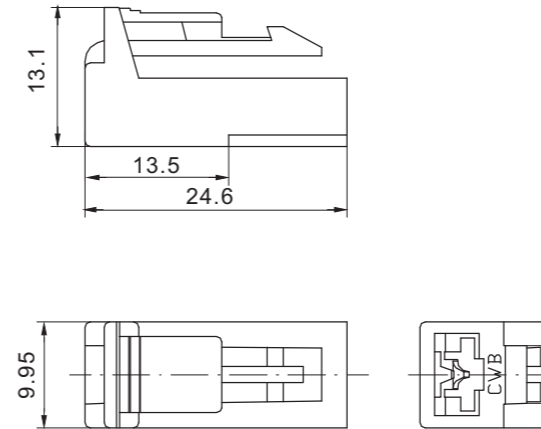
型号 Type	适用导线范围 Wire Range		导线外径 Wire ins.Dis
	mm ²	AWG#	
TR6.3*0.8T1	2.0 ~ 3.3	14 ~ 12	3.0~4.0
材质 · 表面处理 Material and Finish			
磷青铜 Phos · bronze Tin · plated			

阳连接器端子 MALE CRIMP TERMINAL



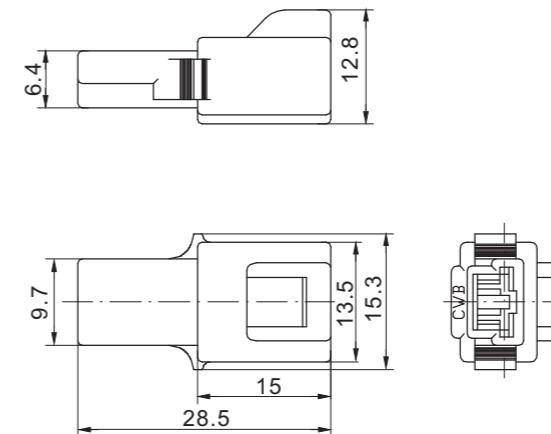
型号 Type	适用导线范围 Wire Range		导线外径 Wire ins.Dis
	mm ²	AWG#	
CZ39-1	2.0 ~ 3.3	14 ~ 12	3.0~4.0
材质 · 表面处理 Material and Finish			
磷青铜 Phos · bronze Tin · plated			

阴连接器 HOUSING



线数 Poles	型号 Type
1	CY 321
材质 · 表面处理 Material and Finish PC/PET UL94V-0 · Nature	

阳连接器 WAFER



线数 Poles	型号 Type
1	CA91-1
材质 · 表面处理 Material and Finish PC/PET UL94V-0 · Nature	

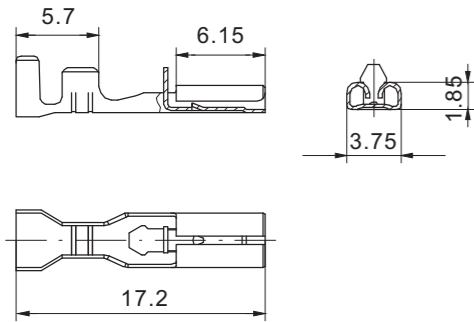
CY364&TR2.8 插簧 G1 洗衣机系列连接器
CY364&TR2.8 Terminal G1 Washing Machine Series Connector



技术参数 (SPECIFICATIONS)

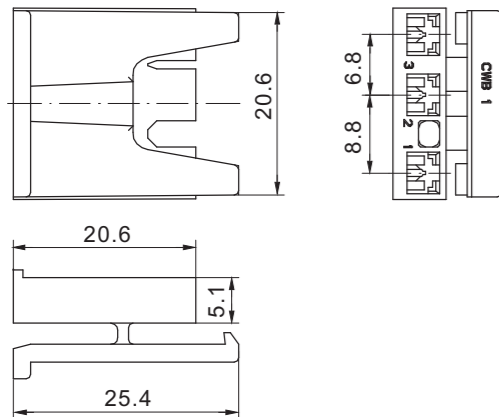
适用线规 (Applicable wires) : AWG22#~18#
 温度范围 (Temperature range) : -25°C~85°C
 额定电压 (Voltage rating) : 250V AC/DC
 额定电流 (Current rating) : 5A
 接触电阻 (Contact resistance) : ≤0.02Ω
 绝缘电阻 (Insulation resistance) : ≥1000MΩ
 耐压 (Withstand voltage) : 2200V AC/minute
 灼热丝测试 (Glow-wire test) : 850°C ;750°C no flame

端子 TERMINAL



型号 Type	适用导线范围 Wire Range		导线外径 Wire ins.Dis
	mm ²	AWG#	
TR2.8 插簧 G1	0.33~0.83	22 ~ 18	1.8~2.5
材质·表面处理 Material and Finish			
黄铜 Brass Tin · Plated			

阴连接器 HOUSING



线数 Poles	型号 Type
3	CY 364
材质·表面处理 Material and Finish	
PC/PET UL94V-0 · Nature	

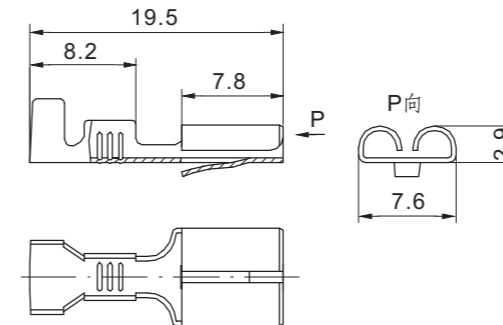
TJC39-3Y&TR6.3*0.8S1&CA407&CZ39-1&CZ39-2 洗衣机系列连接器
TJC39-3Y&TR6.3*0.8S1&CA407&CZ39-1&CZ39-2 Washing Machine Series Connector



技术参数 (SPECIFICATIONS)

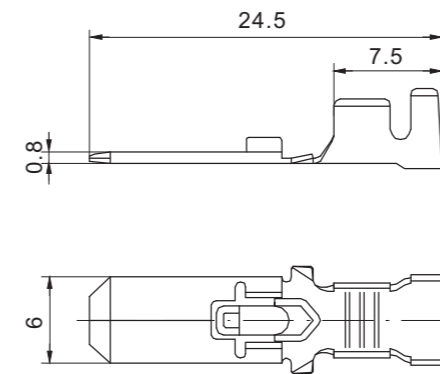
适用线规 (Applicable wires) : AWG18#~12#
 温度范围 (Temperature range) : -25°C~85°C
 额定电压 (Voltage rating) : 250V AC/DC
 额定电流 (Current rating) : 5A
 接触电阻 (Contact resistance) : ≤0.02Ω
 绝缘电阻 (Insulation resistance) : ≥1000MΩ
 耐压 (Withstand voltage) : 2200V AC/minute
 灼热丝测试 (Glow-wire test) : 850°C ;750°C no flame

阴连接器端子 FEMALE CRIMP TERMINAL



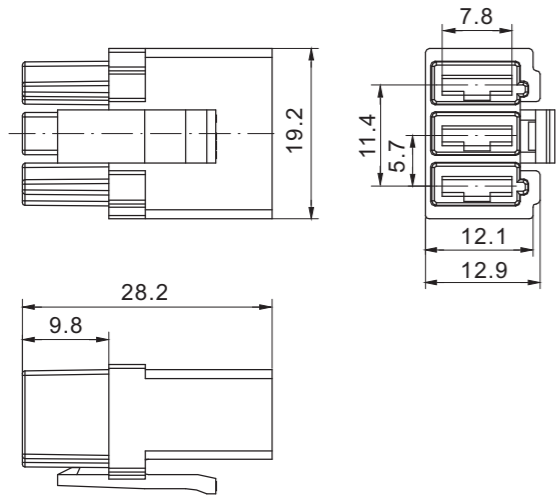
型号 Type	适用导线范围 Wire Range		导线外径 Wire ins.Dis
	mm ²	AWG#	
TR6.3*0.8S1	0.83 ~ 2.0	18 ~ 14	2.1~3.9
材质·表面处理 Material and Finish			
黄铜 Brass Tin · plated			

阳连接器端子 MALE CRIMP TERMINAL



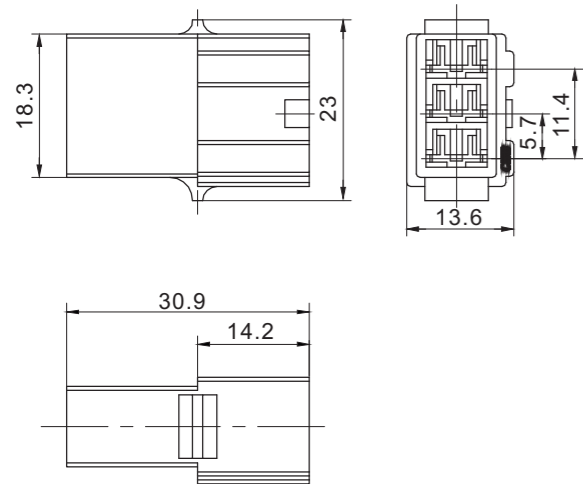
型号 Type	适用导线范围 Wire Range		导线外径 Wire ins.Dis
	mm ²	AWG#	
CZ39-1	2.0 ~ 3.3	14 ~ 12	3.0~4.0
CZ39-2	0.83 ~ 2.0	18 ~ 14	2.1~3.9
材质·表面处理 Material and Finish			
磷青铜 Phos· bronze Tin · plated			

阴连接器 HOUSING



线数 Poles	型号 Type
3	TJC39-3Y
材质·表面处理 Material and Finish	
PC/PET UL94V-0 · Nature	

阳连接器 WAFER



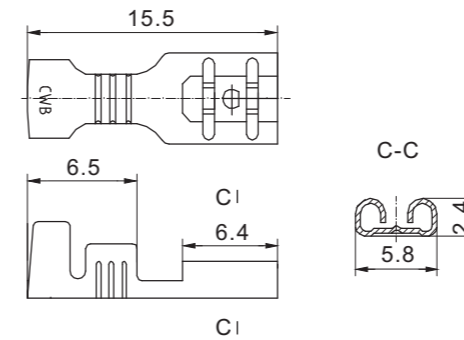
线数 Poles	型号 Type
3	CA 407
材质·表面处理 Material and Finish	
PC/PET UL94V-0 · Nature	

技术参数 (SPECIFICATIONS)

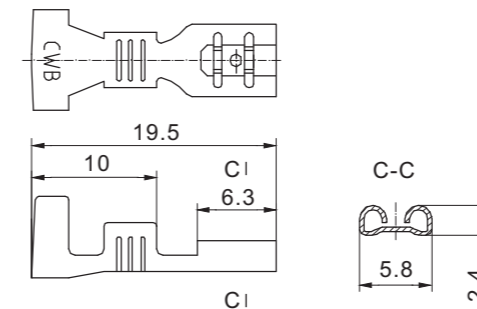
适用线规 (Applicable wires) : AWG22#~16#
 温度范围 (Temperature range) : -25°C~85°C
 额定电压 (Voltage rating) : 250V AC/DC
 额定电流 (Current rating) : 5A
 接触电阻 (Contact resistance) : ≤0.01Ω
 绝缘电阻 (Insulation resistance) : ≥1000MΩ
 耐压 (Withstand voltage) : 2200V AC/minute
 灼热丝测试 (Glow-wire test) : 850°C ;750°C no flame



端子 TERMINAL

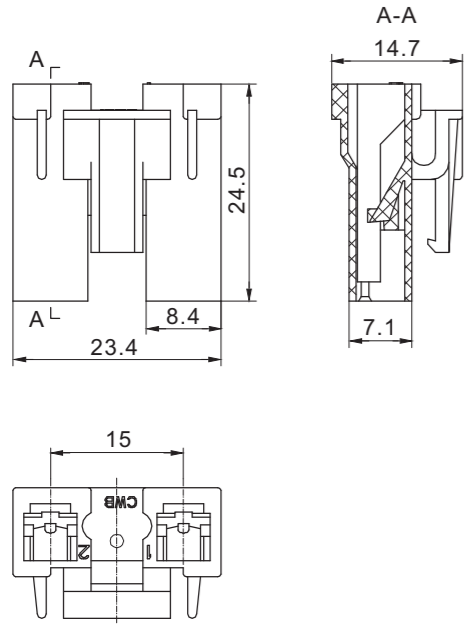


型号 Type	适用导线范围 Wire Range		导线外径 Wire ins.Dis
	mm ²	AWG#	
TR4.8*0.5A1	0.33 ~ 0.83	22 ~ 18	1.6~2.8
材质·表面处理 Material and Finish			
黄铜 Brass Tin · plated			



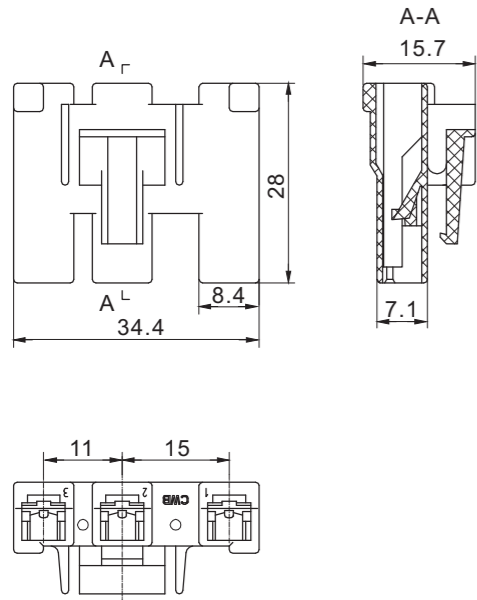
型号 Type	适用导线范围 Wire Range		导线外径 Wire ins.Dis
	mm ²	AWG#	
TR4.8*0.5A3	1.04 ~ 1.83	UL 1015 WIRE 20+20 OR 18+22 18+18 OR 18+20 16+22 OR 16+20	/
材质·表面处理 Material and Finish			
黄铜 Brass Tin · plated			

阴连接器 HOUSING



线数 Poles	型号 Type
2	TJC47-2Y
材质·表面处理 Material and Finish	
PC/PET UL94V-0 · Nature	

阴连接器 HOUSING



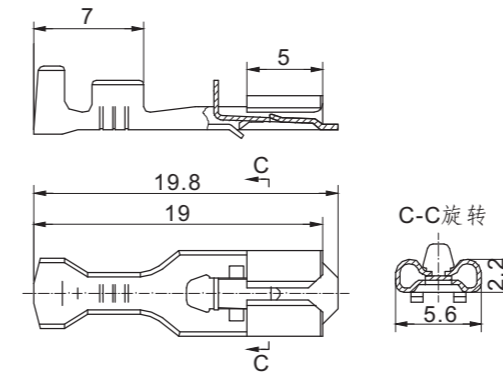
线数 Poles	型号 Type
3	TJC47-3Y
材质·表面处理 Material and Finish	
PC/PET UL94V-0 · Nature	



技术参数 (SPECIFICATIONS)

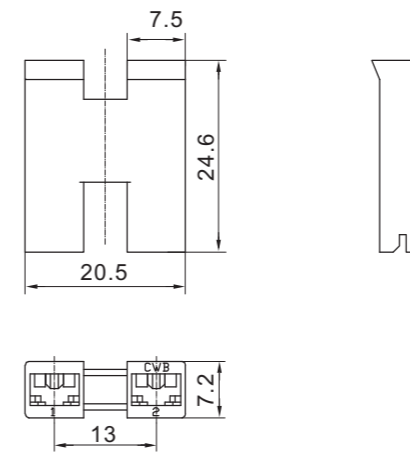
适用线规 (Applicable wires) : AWG22#~16#
温度范围 (Temperature range) : -25℃~85℃
额定电压 (Voltage rating) : 250V AC/DC
额定电流 (Current rating) : 20A
接触电阻 (Contact resistance) : ≤0.01Ω
绝缘电阻 (Insulation resistance) : ≥1000MΩ
耐压 (Withstand voltage) : 2200V AC/minute
灼热丝测试 (Glow-wire test) : 850℃ ;750℃ no flame

端子 TERMINAL



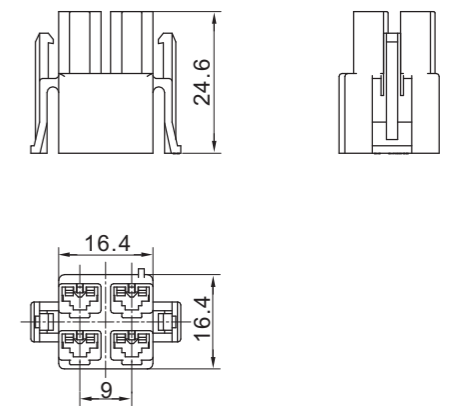
型号 Type	适用导线范围 Wire Range		导线外径 Wire ins.Dis
	mm ²	AWG#	
TR4.8*0.5 插簧 G1	0.33 ~ 0.83	22 ~ 18	1.6~2.8
TR4.8*0.5 插簧 G2	1.04 ~ 1.83	18#~14#	/
黄铜 Brass Tin · plated			

阴连接器 HOUSING



线数 Poles	型号 Type
2	TJC48-2Y
材质·表面处理 Material and Finish	
PC/PET UL94V-0 · Nature	

阴连接器 HOUSING



线数 Poles	型号 Type
4	CY377
材质·表面处理 Material and Finish	
PC/PET UL94V-0 · Nature	

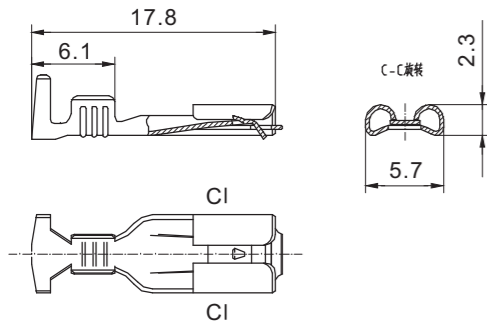
CY374&TR4.8*0.5W1 洗衣机系列连接器
CY374&TR4.8*0.5W1 Washing Machine Series Connector



技术参数 (SPECIFICATIONS)

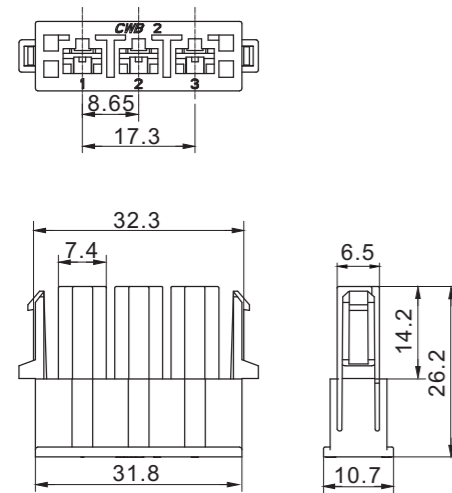
适用线规 (Applicable wires) : AWG20#~16#
 温度范围 (Temperature range) : -25℃~85℃
 额定电压 (Voltage rating) : 250V AC/DC
 额定电流 (Current rating) : 5A
 接触电阻 (Contact resistance) : $\leq 0.01\Omega$
 绝缘电阻 (Insulation resistance) : $\geq 1000M\Omega$
 耐压 (Withstand voltage) : 2200V AC/minute
 灼热丝测试 (Glow-wire test) : 850℃ ;750℃ no flame

端子 TERMINAL



型号 Type	适用导线范围 Wire Range		导线外径 Wire ins.Dis
	mm ²	AWG#	
TR4.8*0.5W1	0.52 ~ 1.31	20 ~ 16	1.8~3.1
材质·表面处理 Material and Finish			
磷青铜 Phos·bronze Tin·plated			

阴连接器 HOUSING



线数 Poles	型号 Type
3	CY374
材质·表面处理 Material and Finish	
PC/PET UL94V-0·Nature	

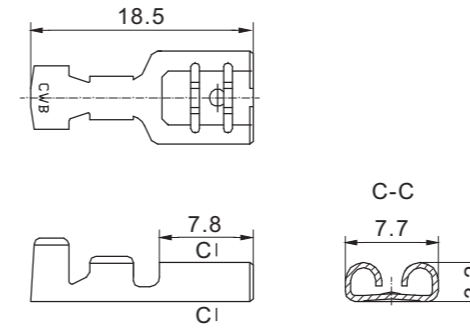
CY372&TR6.3*0.8 洗衣机系列连接器
CY372&TR6.3*0.8 Washing Machine Series Connector



技术参数 (SPECIFICATIONS)

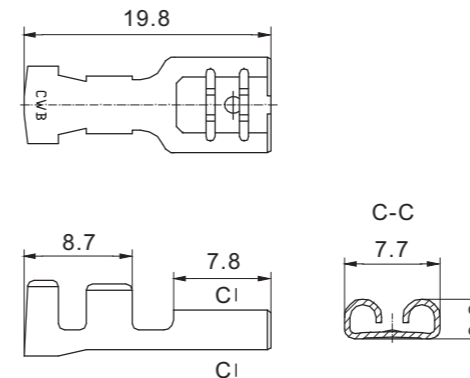
适用线规 (Applicable wires) : AWG18#~12#
 温度范围 (Temperature range) : -25℃~85℃
 额定电压 (Voltage rating) : 250V AC/DC
 额定电流 (Current rating) : 5A
 接触电阻 (Contact resistance) : $\leq 0.01\Omega$
 绝缘电阻 (Insulation resistance) : $\geq 1000M\Omega$
 耐压 (Withstand voltage) : 2200V AC/minute
 灼热丝测试 (Glow-wire test) : 850℃ ;750℃ no flame

端子 A TERMINAL



型号 Type	适用导线范围 Wire Range		导线外径 Wire ins.Dis
	mm ²	AWG#	
TR6.3*0.8A2-2	0.83 ~ 2.0	18 ~ 14	2.05~3.5
材质·表面处理 Material and Finish			
黄铜 Brass Tin·plated			

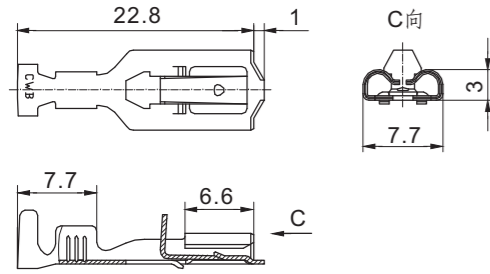
端子 B TERMINAL



型号 Type	适用导线范围 Wire Range		导线外径 Wire ins.Dis
	mm ²	AWG#	
TR6.3*0.8A3-1	2.0 ~ 3.3	14 ~ 12	3.5~4.0
材质·表面处理 Material and Finish			
黄铜 Brass Tin·plated			

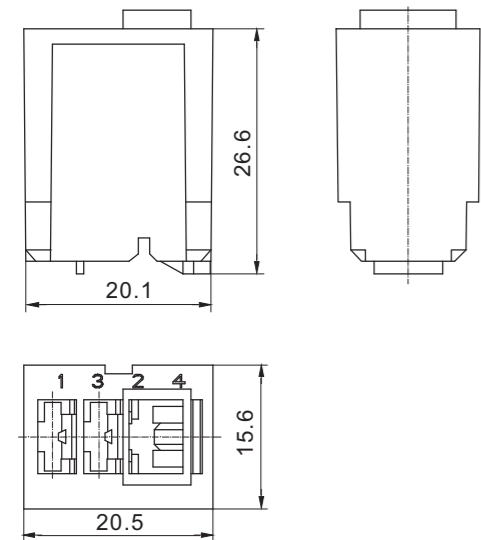
CY372&TR6.3*0.8 洗衣机系列连接器
CY372&TR6.3*0.8 Washing Machine Series Connector

端子 C TERMINAL



型号 Type	适用导线范围 Wire Range		导线外径 Wire ins.Dis
	mm ²	AWG#	
TR6.3*0.8G1	0.83 ~ 2.0	18 ~ 14	2.05~3.5
TR6.3*0.8G2	2.0 ~ 3.3	14 ~ 12	3.5~4.0
材质·表面处理 Material and Finish			
黄铜 Brass Tin · plated			

阴连接器 HOUSING

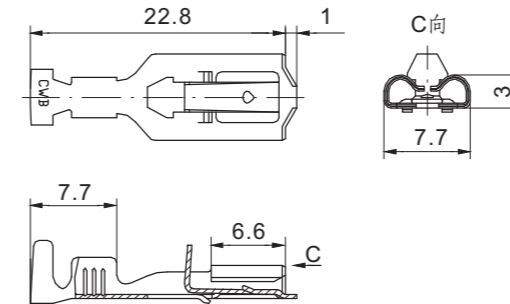


线数 Poles	型号 Type
3	CY372
材质·表面处理 Material and Finish	
PC/PET UL94V-0 · Nature	

TJC43&TR6.3*0.8G1&TR6.3*0.8G2 洗衣机系列连接器
TJC43&TR6.3*0.8G1&TR6.3*0.8G2 Washing Machine Series Connector



端子 TERMINAL

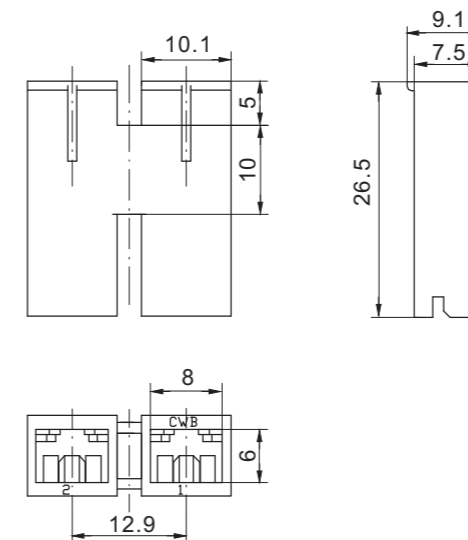


技术参数 (SPECIFICATIONS)

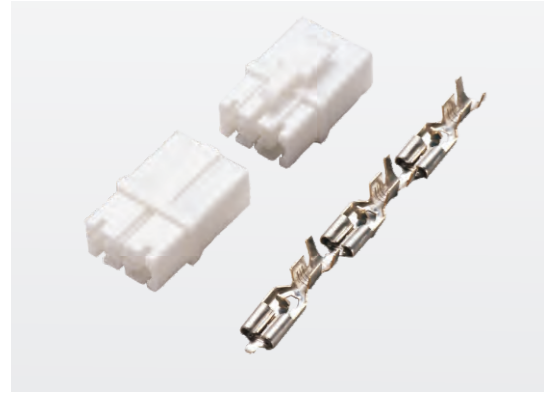
适用线规 (Applicable wires) : AWG18#~12#
 温度范围 (Temperature range) : -25℃~85℃
 额定电压 (Voltage rating) : 250V AC/DC
 额定电流 (Current rating) : 5A
 接触电阻 (Contact resistance) : ≤0.01Ω
 绝缘电阻 (Insulation resistance) : ≥1000MΩ
 耐压 (Withstand voltage) : 2200V AC/minute

型号 Type	适用导线范围 Wire Range		导线外径 Wire ins.Dis
	mm ²	AWG#	
TR6.3*0.8G1	0.83 ~ 2.0	18 ~ 14	2.05~3.5
TR6.3*0.8G2	2.0 ~ 3.3	14 ~ 10	3.5~4.0
材质·表面处理 Material and Finish			
黄铜 Brass Tin · plated			

阴连接器 HOUSING



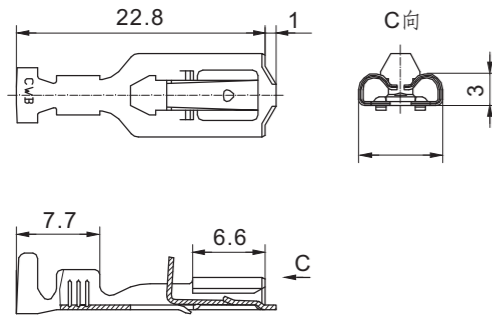
线数 Poles	型号 Type
2	TJC43-2Y
材质·表面处理 Material and Finish	
PA66 UL94V-2 · Nature/Red/Blue	



技术参数 (SPECIFICATIONS)

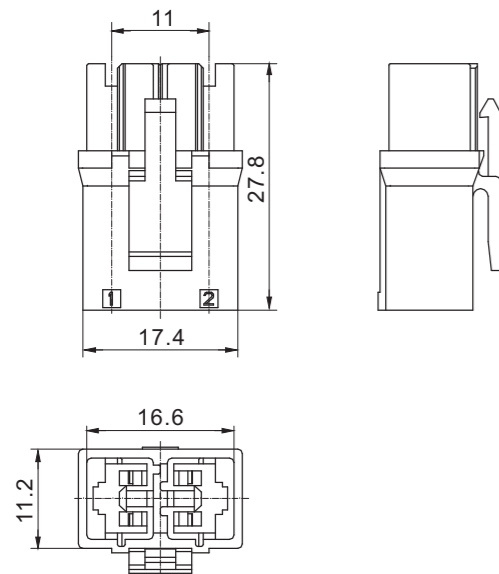
适用线规 (Applicable wires) : AWG18#~12#
 温度范围 (Temperature range) : -25°C~85°C
 额定电压 (Voltage rating) : 250V AC/DC
 额定电流 (Current rating) : 5A
 接触电阻 (Contact resistance) : $\leq 0.01\Omega$
 绝缘电阻 (Insulation resistance) : $\geq 1000M\Omega$
 耐压 (Withstand voltage) : 2200V AC/minute
 灼热丝测试 (Glow-wire test) : 850°C ;750°C no flame

端子 TERMINAL



型号 Type	适用导线范围 Wire Range		导线外径 Wire ins.Dis
	mm ²	AWG#	
TR6.3*0.8G1	0.83 ~ 2.0	18 ~ 14	2.05~3.5
TR6.3*0.8G2	2.0 ~ 3.3	14 ~ 12	3.5~4.0
材质·表面处理 Material and Finish			
黄铜 Brass Tin·plated			

阴连接器 HOUSING



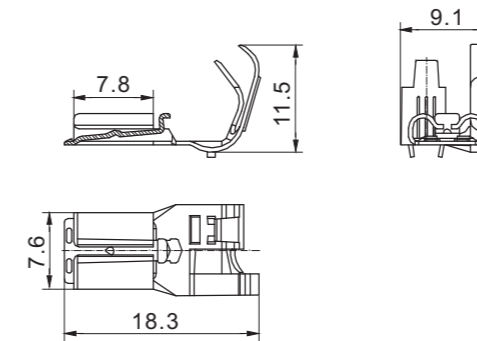
线数 Poles	型号 Type
2	CY385
材质·表面处理 Material and Finish	
PC/PET UL94V-0·Nature/Red/Yellow	



技术参数 (SPECIFICATIONS)

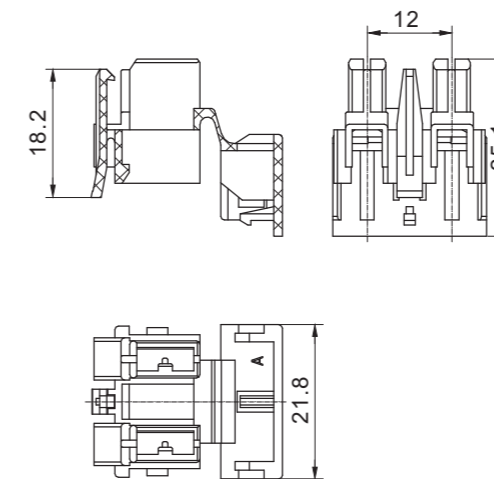
适用线规 (Applicable wires) : AWG20#~16#
 温度范围 (Temperature range) : -25°C~85°C
 额定电压 (Voltage rating) : 250V AC/DC
 额定电流 (Current rating) : 3A
 接触电阻 (Contact resistance) : $\leq 0.01\Omega$
 绝缘电阻 (Insulation resistance) : $\geq 1000M\Omega$
 耐压 (Withstand voltage) : 2200V AC/minute
 灼热丝测试 (Glow-wire test) : 850°C ;750°C no flame

端子 TERMINAL

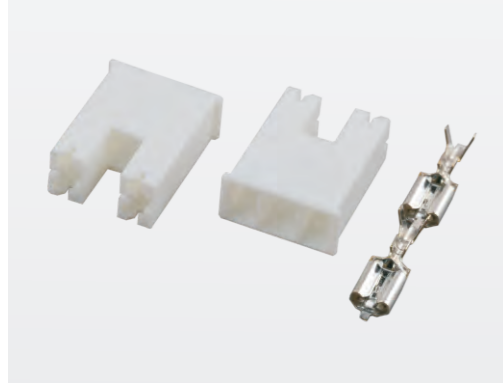


型号 Type	适用导线范围 Wire Range		导线外径 Wire ins.Dis
	mm ²	AWG#	
TR6.3*0.8Q1-1 插簧	0.83 ~ 3.3	18 ~ 12	2.05~4
材质·表面处理 Material and Finish			
黄铜 Brass Tin·plated			

阴连接器 HOUSING



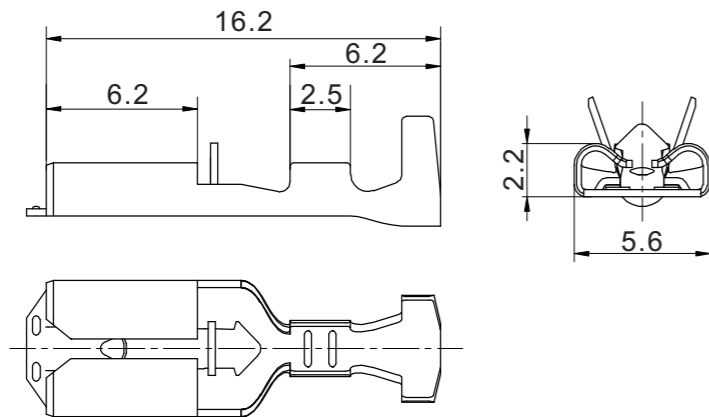
线数 Poles	型号 Type
2	TR6.3*0.8Q1-1 插簧护套
材质·表面处理 Material and Finish	
PA66 UL94V-0·Nature/Blue/Red/Yellow	



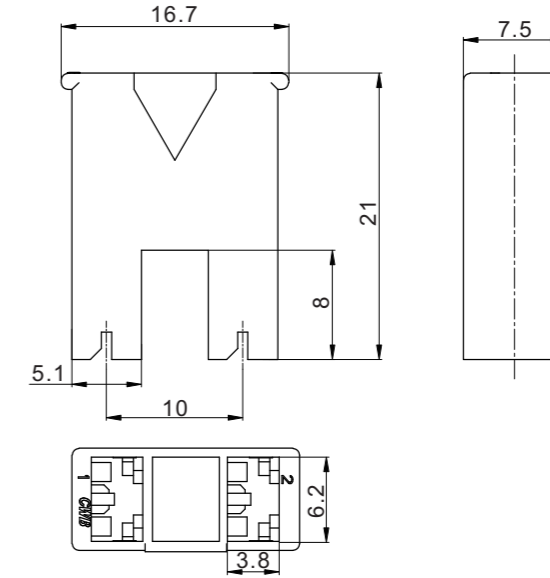
技术参数 (SPECIFICATIONS)

适用线规 (Applicable wires) : AWG22#~20#
 温度范围 (Temperature range) : -40℃~100℃
 额定电压 (Voltage rating) : 250V AC/DC
 额定电流 (Current rating) : 6A
 接触电阻 (Contact resistance) : ≤0.01Ω
 绝缘电阻 (Insulation resistance) : ≥1000MΩ
 耐压 (Withstand voltage) : 1500V AC/minute

端子 TERMINAL

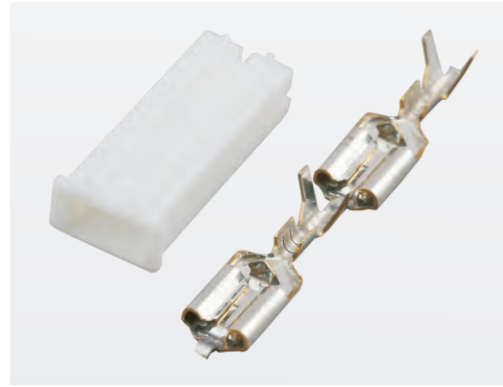


阴连接器 HOUSING



线数 Poles	型号 Type
2	TJC10001-2Y
材质 · 表面处理 Material and Finish PA66 UL94V-0	

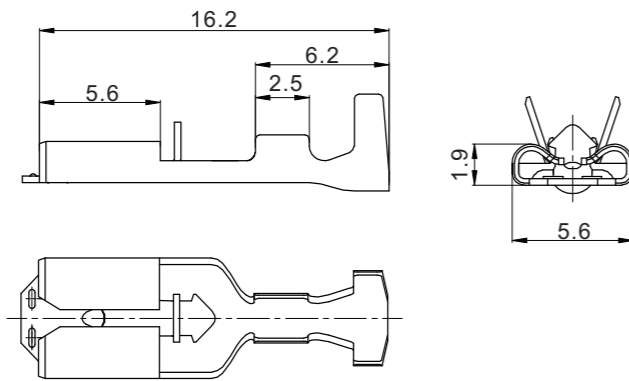
型号 Type	适用导线范围 Wire Range		导线外径 Wire ins.Dis
	mm ²	AWG#	
CH-TJC10001-1	0.3~0.5	22~20	1.6~1.8
CH-TJC10001-2	0.3mm ² × 2	22 × 2	1.6 × 2
材质 · 表面处理 Material and Finish			
磷青铜 Brass Tin · Plated			



技术参数 (SPECIFICATIONS)

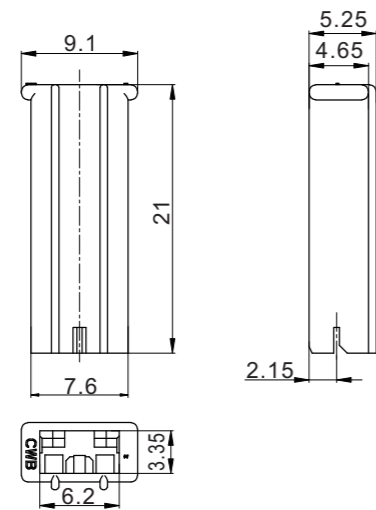
适用线规 (Applicable wires) : AWG22#~20#
 温度范围 (Temperature range) : -40°C~120°C
 额定电压 (Voltage rating) : 250V AC/DC
 额定电流 (Current rating) : 6A
 接触电阻 (Contact resistance) : $\leq 0.01\Omega$
 绝缘电阻 (Insulation resistance) : $\geq 1000M\Omega$
 耐电压 (Withstand voltage) : 1500V AC/minute

端子 TERMINAL



型号 Type	适用导线范围 Wire Range		导线外径 Wire ins.Dis
	mm ²	AWG#	
CH-TJC10002	0.3~0.5	22~20	1.6~2.15
材质·表面处理 Material and Finish			
磷青铜 Brass Tin·Plated			

阴连接器 HOUSING



线数 Poles	型号 Type
1	TJC10002-1Y
材质·表面处理 Material and Finish PA66 UL94V-0	

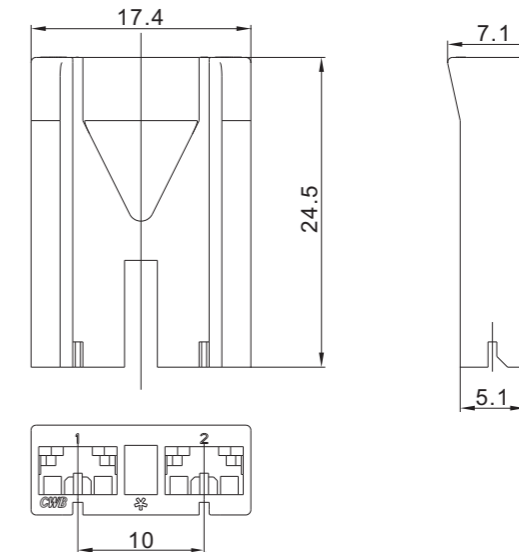


技术参数 (SPECIFICATIONS)

温度范围 (Temperature range) : -40°C~+105°C
 额定电压 (Voltage rating) : 250V AC/DC
 额定电流 (Current rating) : 2.5A~6A
 接触电阻 (Contact resistance) : $\leq 0.03\Omega$
 绝缘电阻 (Insulation resistance) : $\geq 1000M\Omega$
 耐压 (Withstand voltage) : 2000V AC/minute
 认证 (STANDARDS) : E200881

端子 Contact (TJC10001 插簧)

阴连接器 Housing



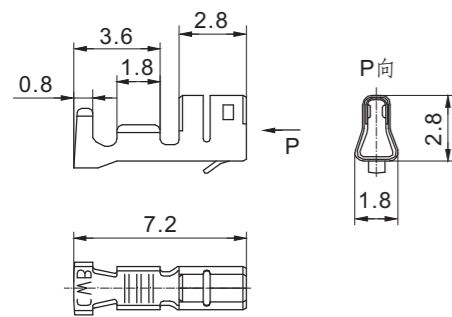
线数 Poles	型号 Type
2	TJC10009-2Y
材质·表面处理 Material and Finish PA66 UL94V-0	



技术参数 (SPECIFICATIONS)

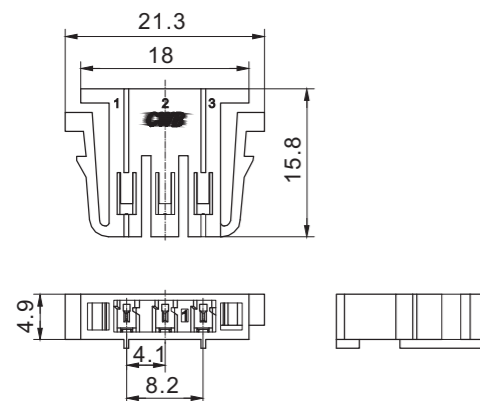
适用线规 (Applicable wires) : AWG20#~26#
 温度范围 (Temperature range) : -25°C~85°C
 额定电压 (Voltage rating) : 250V AC/DC
 额定电流 (Current rating) : 3A
 接触电阻 (Contact resistance) : ≤0.02Ω
 绝缘电阻 (Insulation resistance) : ≥1000MΩ
 耐压 (Withstand voltage) : 1000V AC/minute
 灼热丝测试 (Glow-wire test) : 850°C; 750°C no flame

端子 TERMINAL

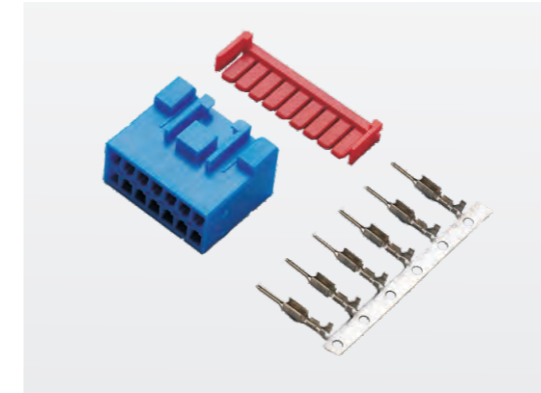


型号 Type	适用导线范围 Wire Range		导线外径 Wire ins.Dis
	mm ²	AWG#	
TJC25014 插簧	0.13 ~ 0.33	26 ~ 22	1.3~2.35
TJC25014 插簧 B	0.33 ~ 0.52	22 ~ 20	1.6~2.55
材质·表面处理 Material and Finish			
磷青铜 Phos·bronze Tin·plated			

阴连接器 HOUSING



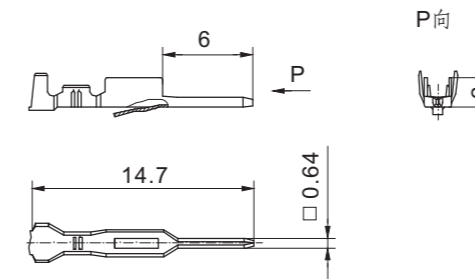
线数 Poles	型号 Type
3	CY375
材质·表面处理 Material and Finish	
PC/PET UL94V-0·Nature	



技术参数 (SPECIFICATIONS)

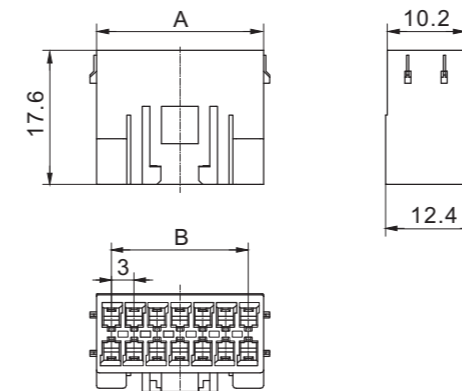
适用线规 (Applicable wires) : AWG24#~20#
 温度范围 (Temperature range) : -25°C~85°C
 额定电压 (Voltage rating) : 250V AC/DC
 额定电流 (Current rating) : 3A
 接触电阻 (Contact resistance) : ≤0.01Ω
 绝缘电阻 (Insulation resistance) : ≥1000MΩ
 耐压 (Withstand voltage) : 2200V AC/minute
 灼热丝测试 (Glow-wire test) : 850°C ;750°C no flame

端子 TERMINAL



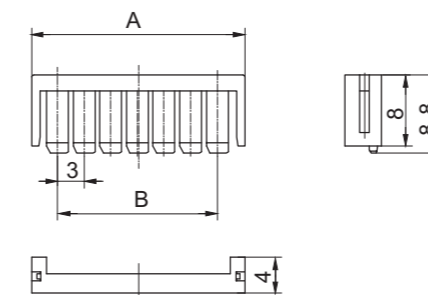
型号 Type	适用导线范围 Wire Range		导线外径 Wire ins.Dis
	mm ²	AWG#	
CZ367	0.22 ~ 0.52	24 ~ 20	1.4~2.55
材质·表面处理 Material and Finish			
黄铜 Brass Tin·plated			

阴连接器 HOUSING

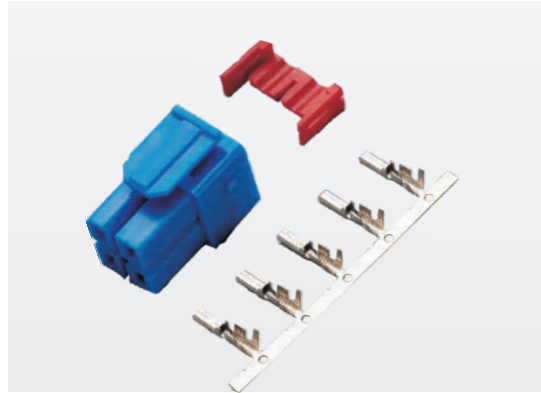


线数 Poles	型号 Type	尺寸 Dimensions(mm)	
		A	B
14	TJC3008-2*7Y	22	18
18	TJC3008-2*9Y	28	24
材质·表面处理 Material and Finish		PC/PET UL94V-0·Nature/Blue	

适配锁紧片 RETAINER



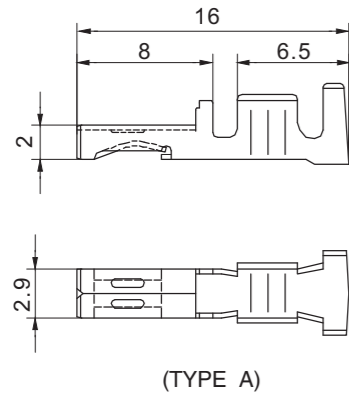
线数 Poles	型号 Type	尺寸 Dimensions(mm)	
		A	B
14	TJC3008-2*7YS	24	18
18	TJC3008-2*9YS	30	24
材质·表面处理 Material and Finish		PA66 UL94V-0·Red	



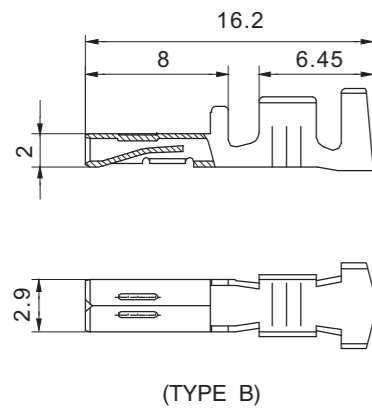
技术参数 (SPECIFICATIONS)

适用线规 (Applicable wires) : AWG18#~14#
 温度范围 (Temperature range) : -25℃~85℃
 额定电压 (Voltage rating) : 250V AC/DC
 额定电流 (Current rating) : 3A
 接触电阻 (Contact resistance) : $\leq 0.02\Omega$
 绝缘电阻 (Insulation resistance) : $\geq 1000M\Omega$
 耐压 (Withstand voltage) : 2200V AC/minute
 灼热丝测试 (Glow-wire test) : 850℃ ;750℃ no flame

端子 TERMINAL

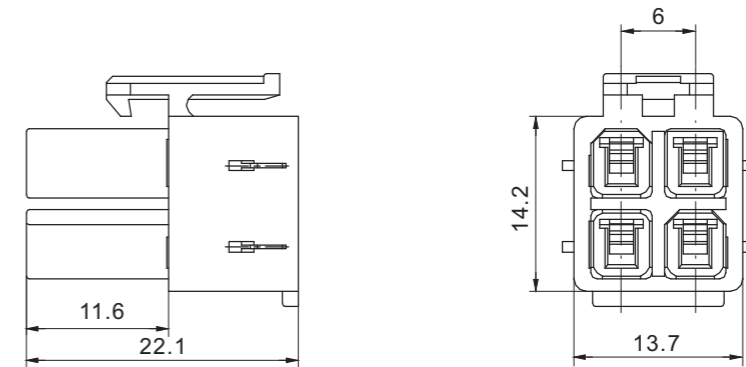


型号 Type	适用导线范围 Wire Range		导线外径 Wire ins.Dis
	mm ²	AWG#	
CH99	0.83 ~ 2.0	18 ~ 14	3.0~4.0
CH99B	1.04 ~ 1.83	20+20 or 20+18 20+16 or 18+18	3.6~5.6
材质·表面处理 Material and Finish			
磷青铜 Phos·bronze Tin·plated			

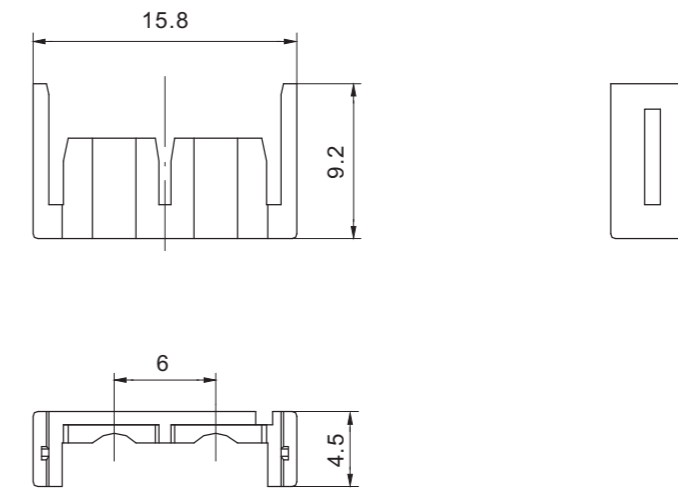


型号 Type	适用导线范围 Wire Range		导线外径 Wire ins.Dis
	mm ²	AWG#	
CH99-1	0.83 ~ 2.0	18 ~ 14	3.0~4.0
材质·表面处理 Material and Finish			
磷青铜 Phos·bronze Tin·plated			

阴连接器 HOUSING



适配锁紧片 RETAINER



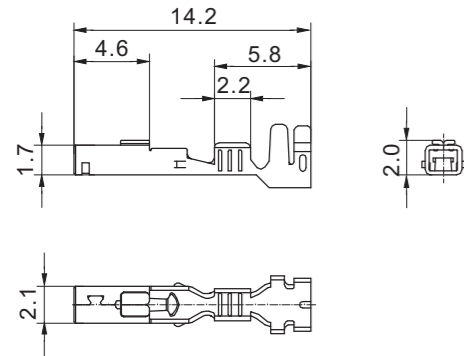
线数 Poles	型号 Type	
	阴连接器 HOUSING	适配锁紧片 Suitable Retainer
4	CY386	CYS386
材质·表面处理 Material and Finish	PC/PET UL94V-0·Nature	PA66 UL94V-0·Nature



技术参数 (SPECIFICATIONS)

适用线规 (Applicable wires) : AWG26#~16#
 温度范围 (Temperature range) : -25℃~85℃
 额定电压 (Voltage rating) : 250V AC/DC
 额定电流 (Current rating) : 3A
 接触电阻 (Contact resistance) : $\leq 0.02\Omega$
 绝缘电阻 (Insulation resistance) : $\geq 1000M\Omega$
 耐压 (Withstand voltage) : 2200V AC/minute
 灼热丝测试 (Glow-wire test) : 850℃ ;750℃ no flame

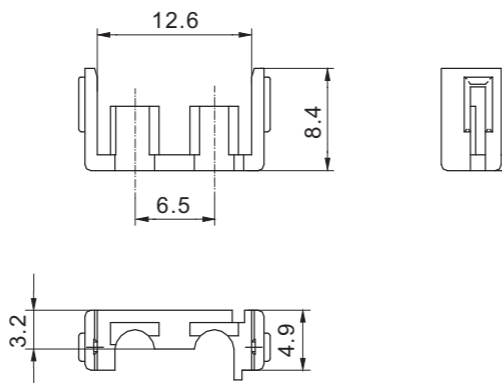
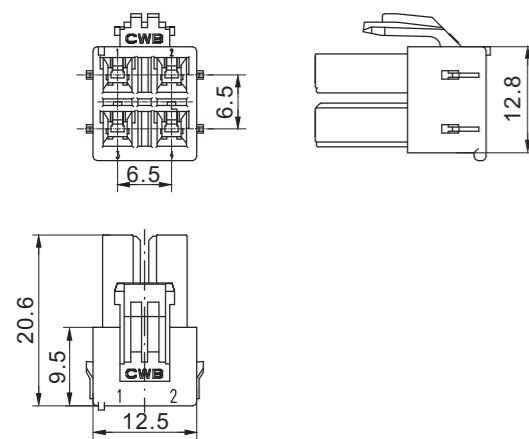
端子 TERMINAL



型号 Type	适用导线范围 Wire Range		导线外径 Wire ins.Dis
	mm ²	AWG#	
CH206	0.52 ~ 1.31	20 ~ 16	1.8~3.1
CH206A	0.13 ~ 0.33	26 ~ 22	1.3~2.35
材质·表面处理 Material and Finish			
磷青铜 Phos·bronze Tin·plated			

阴连接器 HOUSING

适配锁紧片 RETAINER



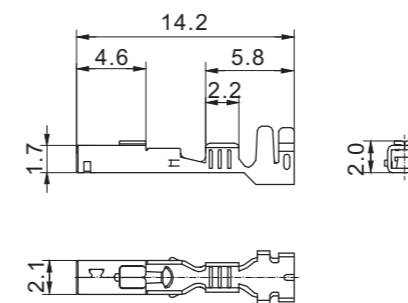
线数 Poles	型号 Type	
	阴连接器 HOUSING	适配锁紧片 Suitable Retainer
4	CY373	CYS373
材质·表面处理 Material and Finish	PC/PET UL94V-0·NA/BL/RD	PA66 UL94V-0 · White



技术参数 (SPECIFICATIONS)

适用线规 (Applicable wires) : AWG26#~16#
 温度范围 (Temperature range) : -25℃~85℃
 额定电压 (Voltage rating) : 250V AC/DC
 额定电流 (Current rating) : 3A
 接触电阻 (Contact resistance) : $\leq 0.02\Omega$
 绝缘电阻 (Insulation resistance) : $\geq 1000M\Omega$
 耐压 (Withstand voltage) : 2200V AC/minute
 灼热丝测试 (Glow-wire test) : 850℃ ;750℃ no flame

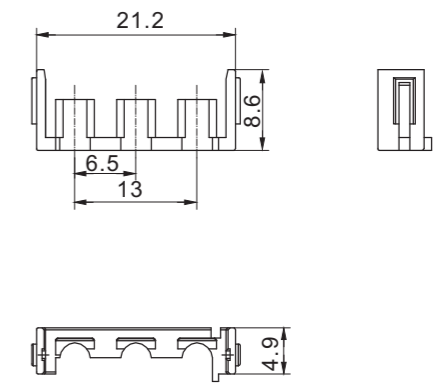
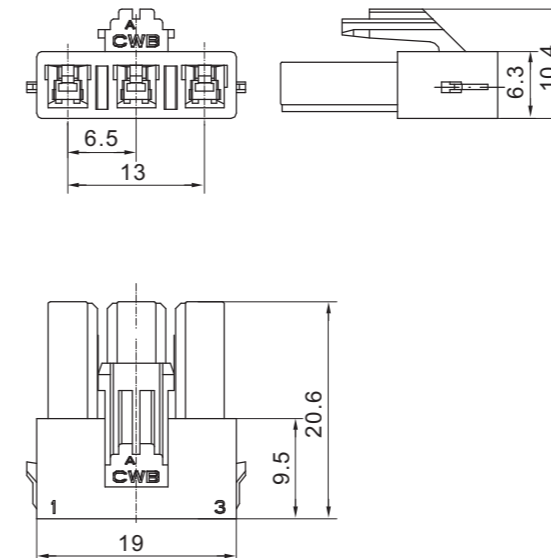
端子 TERMINAL



型号 Type	适用导线范围 Wire Range		导线外径 Wire ins.Dis
	mm ²	AWG#	
CH206	0.52 ~ 1.31	20 ~ 16	1.8~3.1
CH206A	0.13 ~ 0.33	26 ~ 22	1.3~2.35
材质·表面处理 Material and Finish			
磷青铜 Phos·bronze Tin·plated			

阴连接器 HOUSING

适配锁紧片 RETAINER



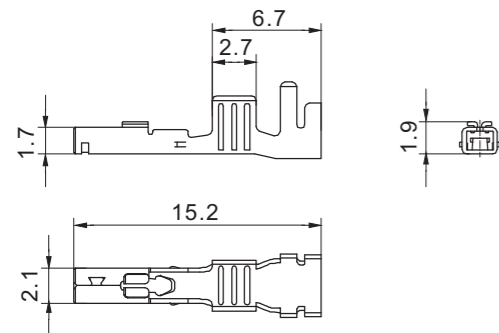
线数 Poles	型号 Type	
	阴连接器 HOUSING	适配锁紧片 Suitable Retainer
3	CY380	CYS380
材质·表面处理 Material and Finish	PC/PET UL94V-0·Nature/Blue	PA66 UL94V-0 · Nature



技术参数 (SPECIFICATIONS)

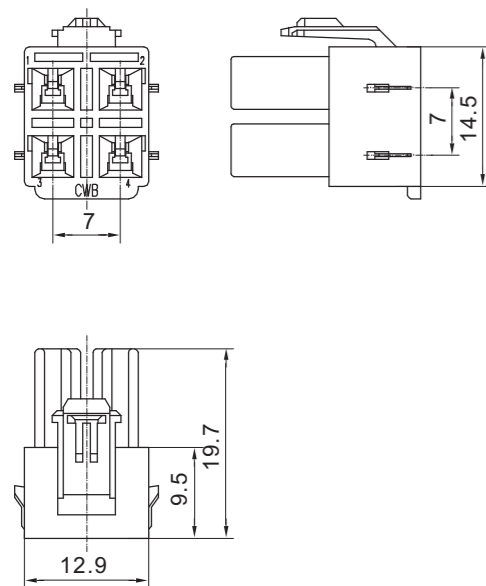
适用线规 (Applicable wires) : AWG20#~16#
 温度范围 (Temperature range) : -25℃~85℃
 额定电压 (Voltage rating) : 250V AC/DC
 额定电流 (Current rating) : 3A
 接触电阻 (Contact resistance) : ≤0.02Ω
 绝缘电阻 (Insulation resistance) : ≥1000MΩ
 耐压 (Withstand voltage) : 2200V AC/minute
 灼热丝测试 (Glow-wire test) : 850℃ ;750℃ no flame

端子 TERMINAL

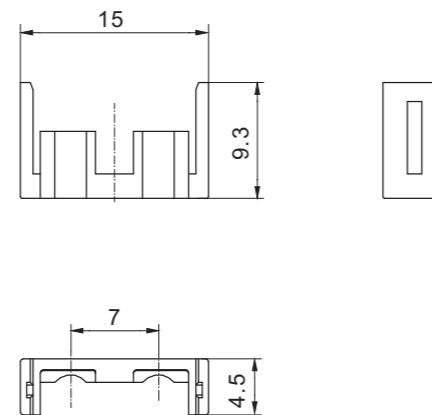


型号 Type	适用导线范围 Wire Range		导线外径 Wire ins.Dis
	mm ²	AWG#	
CH209	0.52 ~ 1.31	20 ~ 16	1.8~3.1
材质·表面处理 Material and Finish			
磷青铜 Phos·bronze Tin·plated			

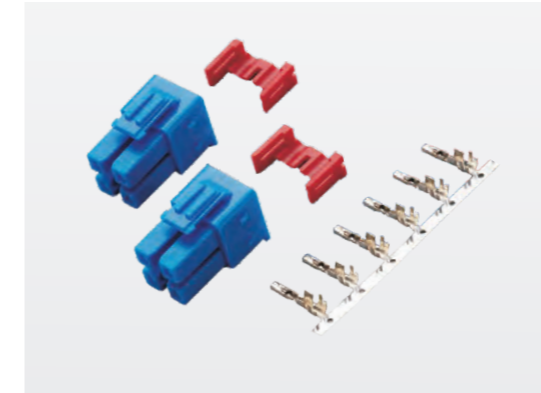
阴连接器 HOUSING



适配锁紧片 RETAINER



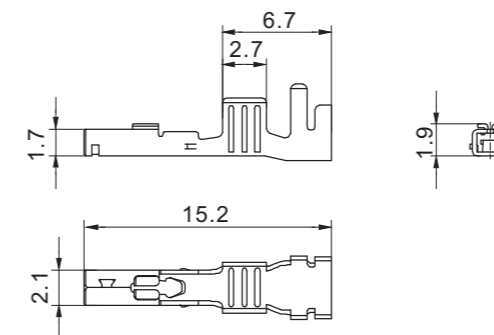
线数 Poles	型号 Type	
	阴连接器 HOUSING	适配锁紧片 Suitable Retainer
4	CY378	CYS378
材质·表面处理 Material and Finish	PC/PET UL94V-0·Nature	PA66 UL94V-0 · Nature



技术参数 (SPECIFICATIONS)

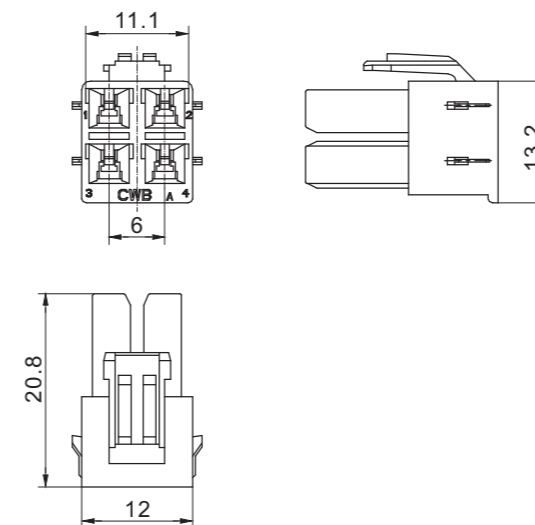
适用线规 (Applicable wires) : AWG20#~16#
 温度范围 (Temperature range) : -25℃~85℃
 额定电压 (Voltage rating) : 250V AC/DC
 额定电流 (Current rating) : 3A
 接触电阻 (Contact resistance) : ≤0.02Ω
 绝缘电阻 (Insulation resistance) : ≥1000MΩ
 耐压 (Withstand voltage) : 2200V AC/minute
 灼热丝测试 (Glow-wire test) : 850℃ ;750℃ no flame

端子 TERMINAL

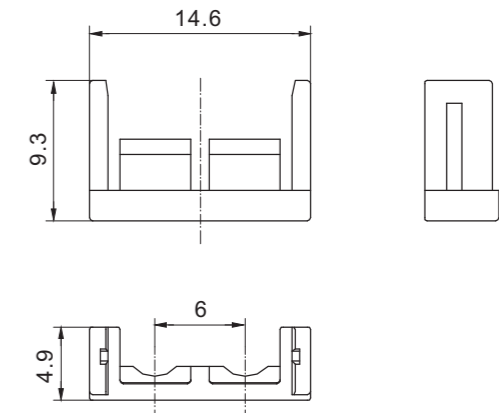


型号 Type	适用导线范围 Wire Range		导线外径 Wire ins.Dis
	mm ²	AWG#	
CH209	0.52 ~ 1.31	20 ~ 16	1.8~3.1
材质·表面处理 Material and Finish			
磷青铜 Phos·bronze Tin·plated			

阴连接器 HOUSING



适配锁紧片 RETAINER



线数 Poles	型号 Type	
	阴连接器 HOUSING	适配锁紧片 Suitable Retainer
4	CY379	CYS379
材质·表面处理 Material and Finish	PC/PET UL94V-0·Nature/Blue	PA66 UL94V-0 · Red

TJC65 型条形连接器
TJC65 Bar Connector

间距 (space) : 2.54mm

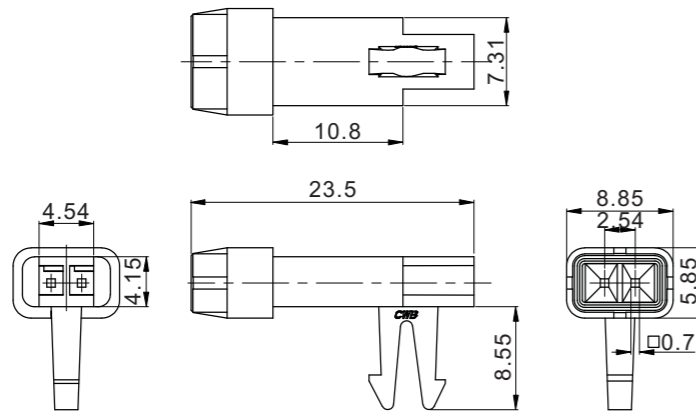


技术参数 (SPECIFICATIONS)

温度范围 (Temperature range) : -30°C~+105°C

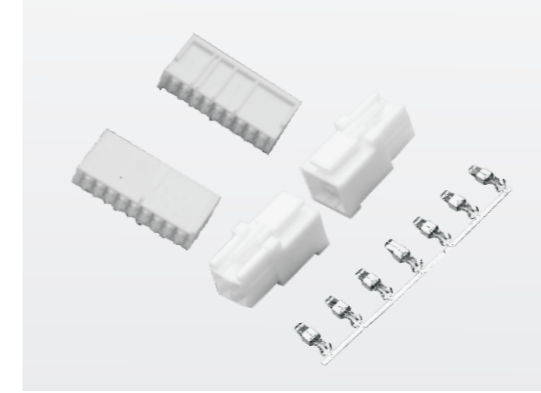
认证 (STANDARDS) :  E200881

阴连接器 HOUSING



线数 Poles	型号 Type
2	TJC65-2Y
材质·表面处理 Material and Finish PA6 HB·Black	

TJC5007-10Y&CY404&TJC5007 插簧 & TJC5007 插簧 B 洗衣机系列连接器
TJC5007-10Y&CY404&TJC5007 Terminal & TJC5007 Terminal B Washing Machine Series Connector



技术参数 (SPECIFICATIONS)

适用线规 (Applicable wires) : AWG20#~18#

温度范围 (Temprature range) : -25°C~85°C

额定电压 (Voltage rating) : 250V AC/DC

额定电流 (Current rating) : 5A

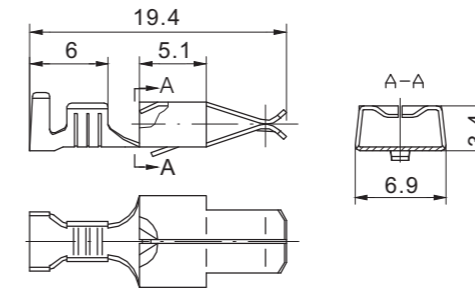
接触电阻 (Contact resistance) : ≤0.01Ω

绝缘电阻 (Insulation resistance) : ≥1000MΩ

耐压 (Withstand voltage) : 2200V AC/minute

灼热丝测试 (Glow-wire test) : 850°C ;750°C no flame

端子 TERMINAL

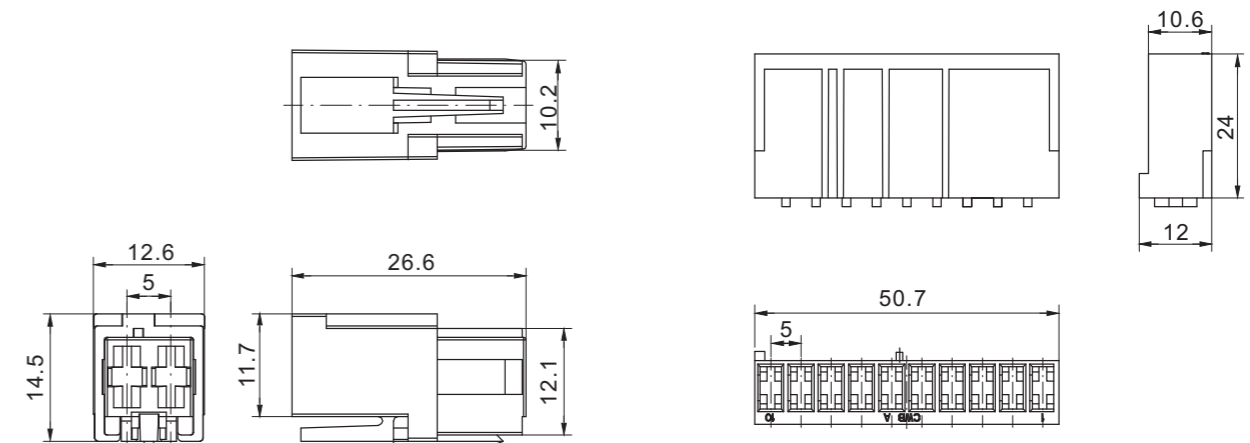


型号 Type	适用导线范围 Wire Range		导线外径 Wire ins.Dis
	mm ²	AWG#	
TJC5007 插簧	0.52 ~ 0.83	20 ~ 18	1.8~2.8
TJC5007 插簧 B	1.04 ~ 1.35	(20+20), (20+18)	3.6~5.35
材质·表面处理 Material and Finish			
磷青铜 Phos·bronze Tin·plated			

阴连接器 HOUSING

CY404

TJC5007-10Y



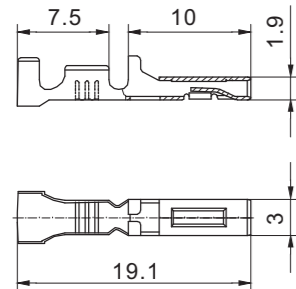
线数 Poles	型号 Type
2	CY 404
10	TJC5007-10Y
材质·表面处理 Material and Finish PC/PET UL94V-0·Nature	



技术参数 (SPECIFICATIONS)

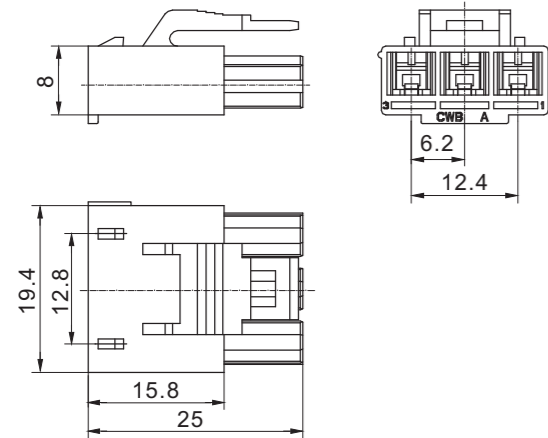
适用线规 (Applicable wires) : AWG20#~22#
 温度范围 (Temperature range) : -25°C~85°C
 额定电压 (Voltage rating) : 250V AC/DC
 额定电流 (Current rating) : 4A
 接触电阻 (Contact resistance) : $\leq 0.02\Omega$
 绝缘电阻 (Insulation resistance) : $\geq 1000M\Omega$
 耐压 (Withstand voltage) : 2200V AC/minute
 灼热丝测试 (Glow-wire test) : 850°C ;750°C no flame

端子 TERMINAL

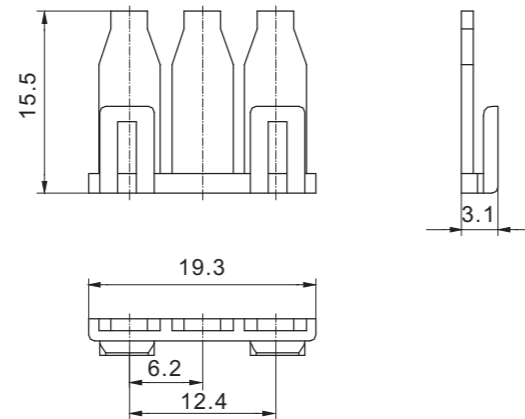


型号 Type	适用导线范围 Wire Range		导线外径 Wire ins.Dis
	mm ²	AWG#	
TJC6202 插簧 1	1.04 ~ 1.66	20+20 or 18+22 18+18 or 18+20	/
TJC6202 插簧 2	0.33 ~ 0.52	22 ~ 20	1.6~2.55
材质·表面处理 Material and Finish			
磷青铜 Phos·bronze Tin·plated			

阴连接器 HOUSING



适配锁紧片 RETAINER



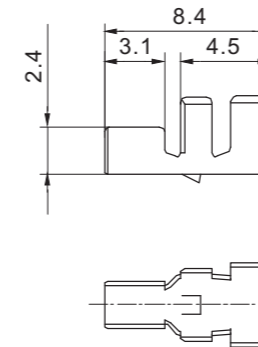
线数 Poles	型号 Type	
	阴连接器 HOUSING	适配锁紧片 Suitable Retainer
3	TJC6202-3Y	TJC6202-3YS
材质·表面处理 Material and Finish	PC/PET UL94V-0·Nature	PA66 UL94V-0·Nature



技术参数 (SPECIFICATIONS)

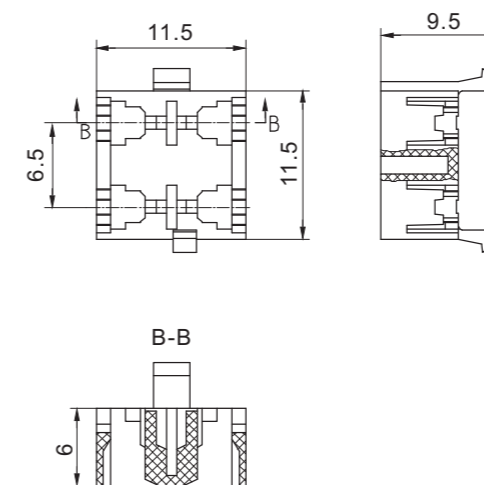
适用线规 (Applicable wires) : AWG20#~18#
 温度范围 (Temperature range) : -25°C~85°C
 额定电压 (Voltage rating) : 250V AC/DC
 额定电流 (Current rating) : 3A

端子 TERMINAL



型号 Type	适用导线范围 Wire Range		导线外径 Wire ins.Dis
	mm ²	AWG#	
CH211	0.52 ~ 0.83	20 ~ 18	1.6~2.55
材质·表面处理 Material and Finish			
黄铜 Brass Tin·plated			

阴连接器 HOUSING



线数 Poles	型号 Type
4	CY384
材质·表面处理 Material and Finish	
PA66 UL94V-0·Nature	



技术参数 (SPECIFICATIONS)

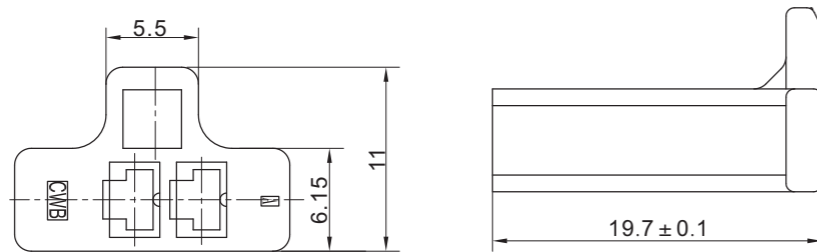
适用线规 (Applicable wires) : AWG18#~16#
温度范围 (Temperature range) : -25℃~85℃



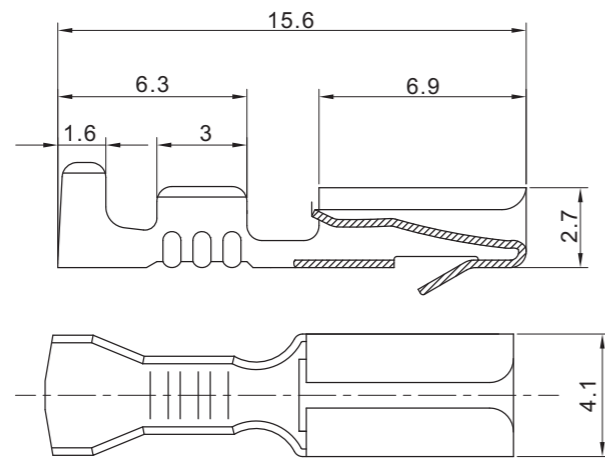
技术参数 (SPECIFICATIONS)

适用线规 (Applicable wires) : AWG20#~18#
温度范围 (Temperature range) : -40℃~105℃

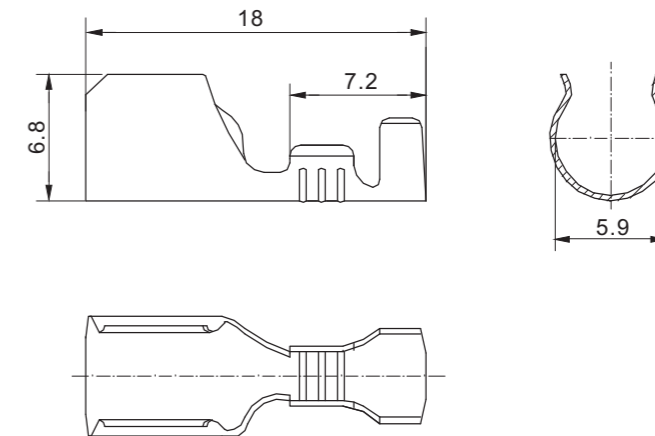
阴连接器Housing



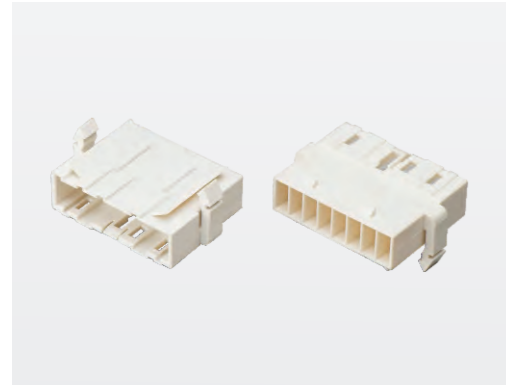
端子Contact



型号 Type	适用导线范围 Wire Range		导线外径 Wire ins.Dis
	mm ²	AWG#	
CH72-2	0.82 ~ 1.3	18 ~ 16	2.1~2.4
材质·表面处理 Material and Finish			
黄铜 Brass Tin · plated			



型号 Type	适用导线范围 Wire Range		导线外径 Wire ins.Dis
	mm ²	AWG#	
保险丝管插簧 002	0.52 ~ 0.83	20 ~ 18	1.8~2.8
材质·表面处理 Material and Finish			
黄铜 Brass Tin · plated			

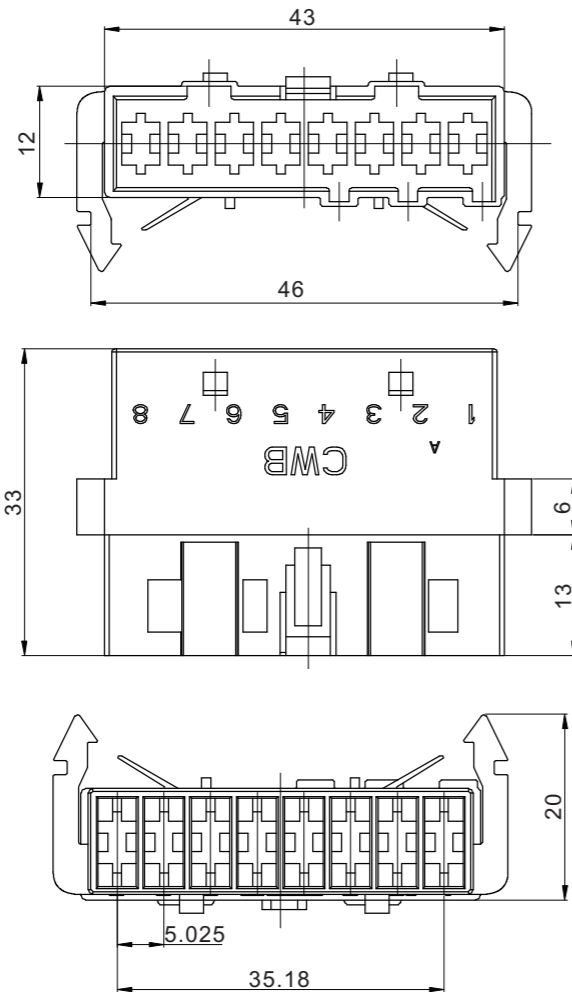


技术参数 (SPECIFICATIONS)

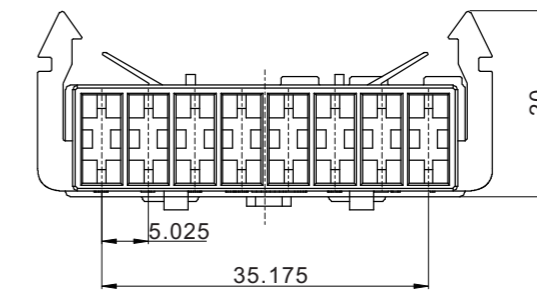
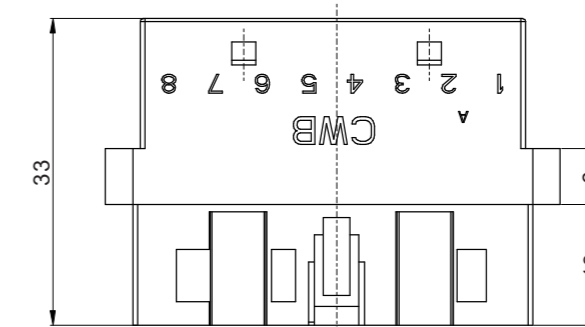
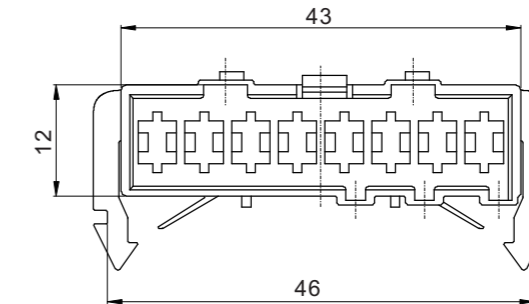
温度范围 (Temperature range) : -25°C~+85°C

认证 (STANDARDS) :  E200881

阳连接器 Wafer



线数 Poles	型号 Type
8	CA456
材质 · 表面处理 Material and Finish PA46 UL94V-0	



线数 Poles	型号 Type
8	CA456-L
材质 · 表面处理 Material and Finish PA46 UL94V-0	

CZ456 型条形连接器
CZ456 Bar Connector

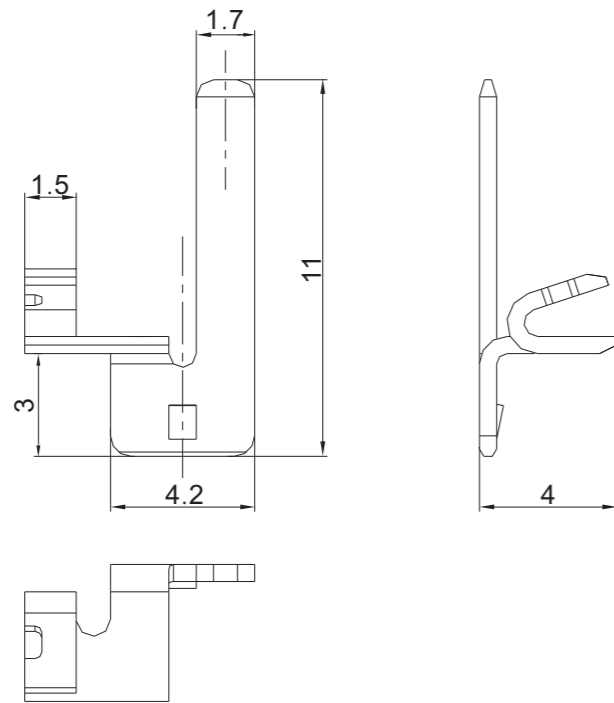


技术参数 (SPECIFICATIONS)

额定电流 (Current rating) : 7A
温度范围 (Temperature range) : -25°C~+85°C

认证 (STANDARDS) :  E200881

端子 Contact




型号 Type	材料 Material	表面处理 Finish
CZ456	黄铜 Brass	Tin Plating

CZ473 型条形连接器
CZ473 Bar Connector

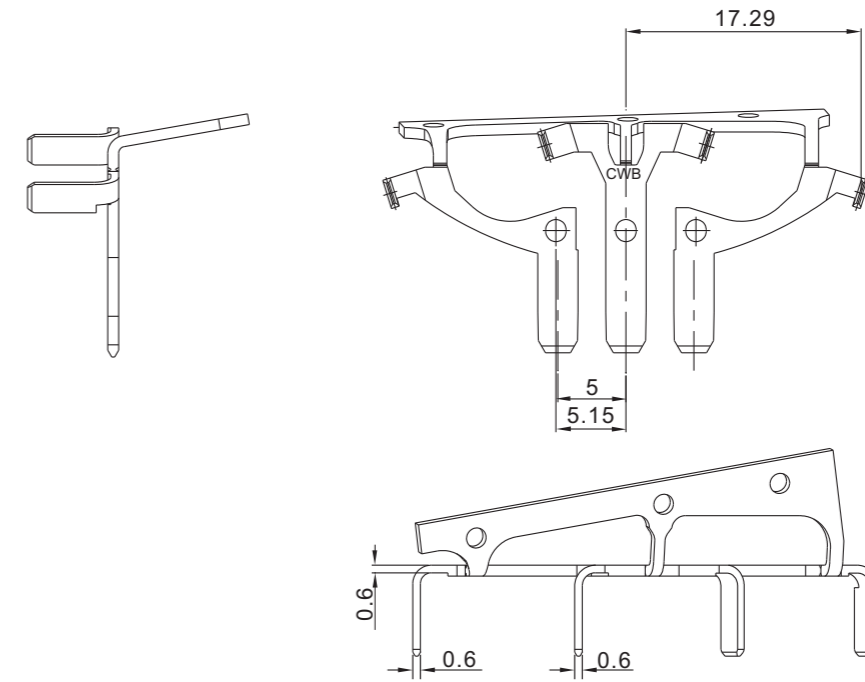


技术参数 (SPECIFICATIONS)

温度范围 (Temperature range) : -25°C~+85°C

认证 (STANDARDS) :  E200881

端子 Contact



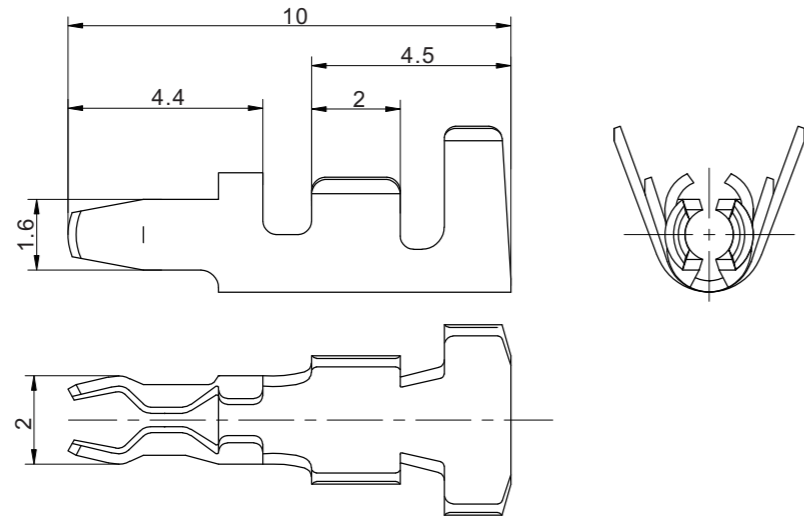
型号 Type	材料 Material	表面处理 Finish
CZ456	黄铜 Brass	Tin Plating



技术参数 (SPECIFICATIONS)

适用线规 (Applicable wires) : AWG14#~18#
 适应基板厚度 (Applicable PC board thickness) : 1.6 mm
 温度范围 (Temperature range) : -30°C~105°C
 额定电压 (Voltage rating) : 250V AC/DC
 额定电流 (Current rating) : 3A

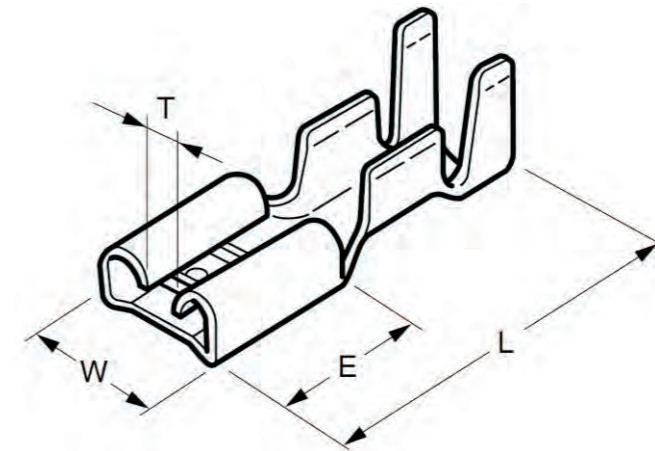
端子 TERMINAL



型号 Type	适用导线范围 Wire Range		导线外径 Wire ins.Dis
	mm ²	AWG#	
CZ572	0.82 ~ 2.08	18 ~ 14	2.05 ~ 2.7
材质 · 表面处理 Material and Finish			
磷青铜 Phos · bronze Tin · Plated			

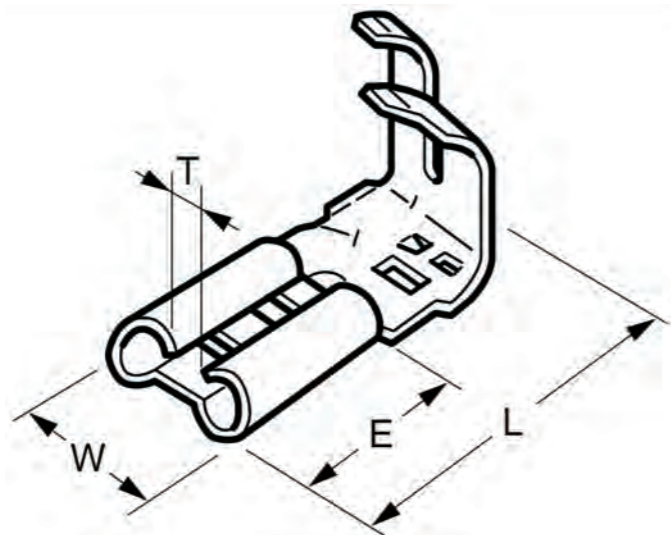


A型 平行端子
A Type Straight Terminal



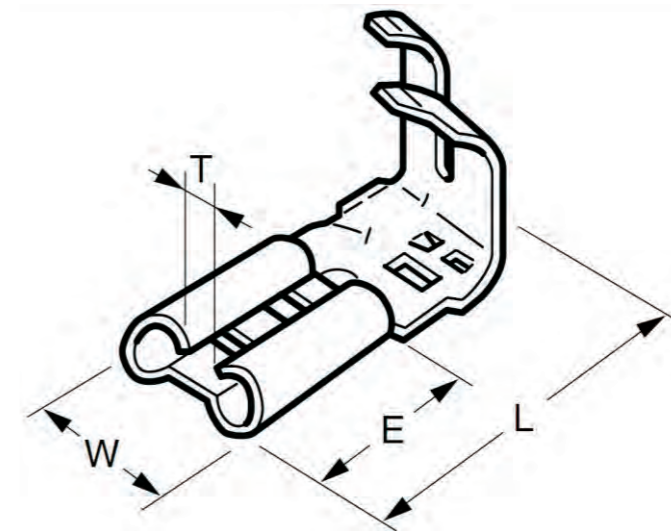
产品类别 Product Type	产品型号 Product model	导线范围 Wireins Dis		材质 Material	表面处理 Finish	尺寸规格 Dimensions(mm)				备注 Remarks
		mm ²	AWG			L	E	W	T (约)	
250 系列	TR6.3*0.8A1	0.82~0.32	18~22	黄铜 Brass	锡 Tin	19	7.8	7.6	2.4	
	TR6.3*0.8A2	2.1~0.82	14~18			19	7.8	7.6	1.7	
	TR6.3*0.8A3	3.3~2.1	12~14			19	7.8	7.6	2.4	
	TR6.3*0.8A2-1	2.1~0.82	14~18			19	7.8	7.6	1.7	
	TR6.3*0.8A2-2	2.1~0.82	14~18			18.5	7.8	7.6	1.7	
187 系列	TR4.8*0.5A1	0.82~0.32	18~22			15.5	6.4	5.8	1.5	
	TR4.8*0.5A2	2.1~0.82	14~18			15	6.4	5.6	1.5	
	TR4.8*0.5A3	/	20+20~18+18			19.5	6.4	5.8	1.5	压双线
	TR4.8*0.5A1-1	0.82~0.32	18~22			15	6.4	5.8	1.4	
	TR4.8*0.8A1	0.82~0.32	18~22			15	6.4	5.6	1.5	
	TR4.8*0.8A2	2.1~0.82	14~18			15	6.4	5.6	1.5	
125 系列	TR3.2*0.5A1	0.82~0.32	18~22	16	6.3	4.2	0.64			
110 系列	TR2.8*0.5A1	0.82~0.32	18~22	15.5	6.6	3.8	0.7			
	TR2.8*0.8A	0.82~0.32	18~22	15.5	6.6	3.8	0.7			

F型 旗形端子
F Type Flag Terminal



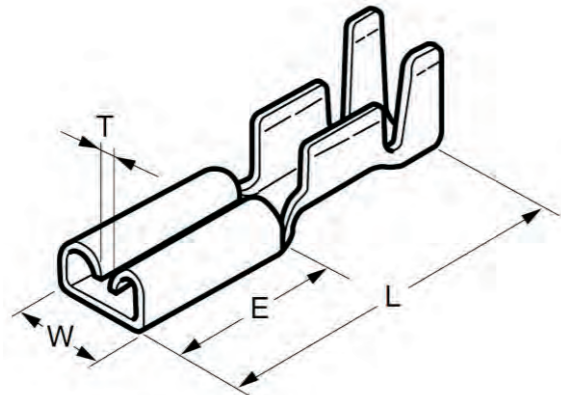
产品类别 Product Type	产品型号 Product model	导线范围 Wireins Dis		材质 Material	表面处理 Finish	尺寸规格 Dimensions(mm)				备注 Remarks
		mm ²	AWG			L	E	W	T (约)	
250 系列	TR6.3*0.8F	2.1~0.82	14~18	黄铜 Brass	锡 Tin	16.2	8.1	8	2.8	
187 系列	TR4.8*0.5F	0.82~0.32	18~22			13.3	6.3	5.6	1	
110 系列	TR2.8*0.5F	0.82~0.32	18~22			6.1	3.9	3.5	0.6	

Q型 旗形端子
Q Type Flag Terminal



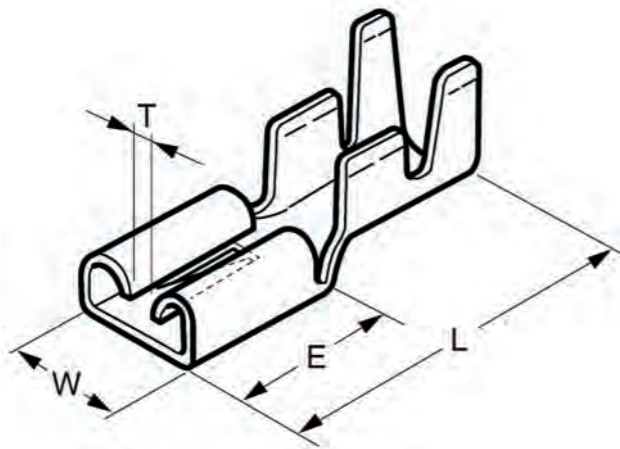
产品类别 Product Type	产品型号 Product model	导线范围 Wireins Dis		材质 Material	表面处理 Finish	尺寸规格 Dimensions(mm)				备注 Remarks
		mm ²	AWG			L	E	W	T (约)	
250 系列	TR6.3*0.8Q1	2.1~0.82	14~18	黄铜 Brass	锡 Tin	15.2	7.8	7.6	2.7	
187 系列	TR4.8*0.5Q1	0.82~0.32	18~22			13.8	6.3	5.6	1.5	

T型 平行端子
T Type Straight Terminal



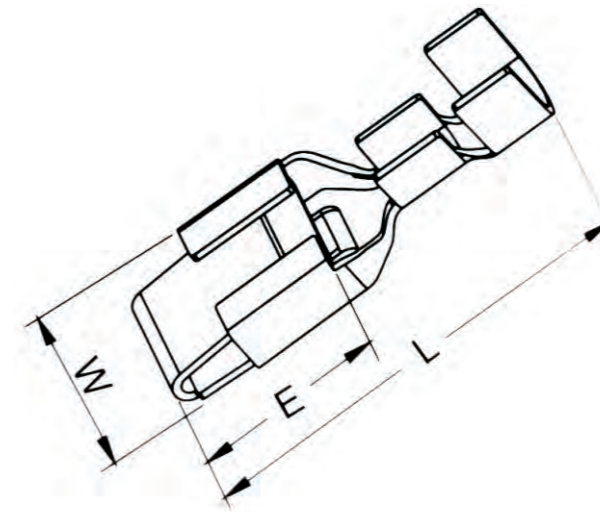
产品类别 Product Type	产品型号 Product model	导线范围 Wireins Dis		材质 Material	表面处理 Finish	尺寸规格 Dimensions(mm)				备注 Remarks
		mm ²	AWG			L	E	W	T (约)	
250 系列	TR6.3*0.8T1	3.3~2.1	12~14	黄铜 Brass	锡 Tin	19.5	7.7	7.5	0.9	
	TR6.3*0.8T2	2.1~0.82	14~18			19.5	7.7	7.5	0.9	

S型/B型 平行端子
S Type/B Type Straight Terminal



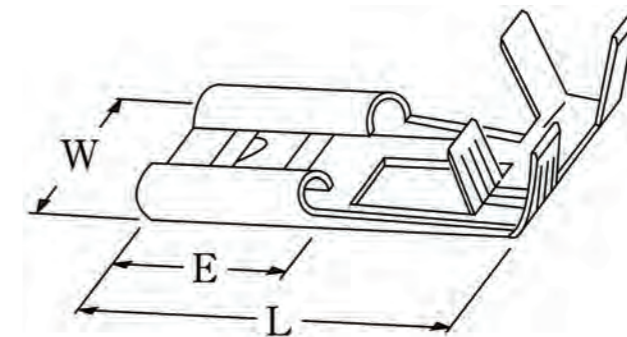
产品类别 Product Type	产品型号 Product model	导线范围 Wireins Dis		材质 Material	表面处理 Finish	尺寸规格 Dimensions(mm)				备注 Remarks
		mm ²	AWG			L	E	W	T (约)	
250 系列	TR6.3*0.8S1	0.82~0.32	18~22	黄铜 Brass	锡 Tin	19.5	7.8	7.6	0.8	倒钩长度7.8
	TR6.3*0.8S2	0.82~0.32	18~22			19.5	7.8	7.6	0.8	倒钩长度6.8
	TR6.3*0.8S3	2.1~0.82	14~18			19.5	7.8	7.6	0.8	倒钩长度6.8
110 系列	TR2.8*0.51	1.3~0.52	16~20	黄铜 Brass	锡 Tin	15.5	6.3	3.8	0.7	
	TR2.8*0.52	1.3~0.52	16~20			15.5	6.3	3.8	0.7	
	TR2.8*0.8B	1.3~0.52	16~20			14	6.45	3.7	0.7	

V型 平行端子
V Type Straight Terminal



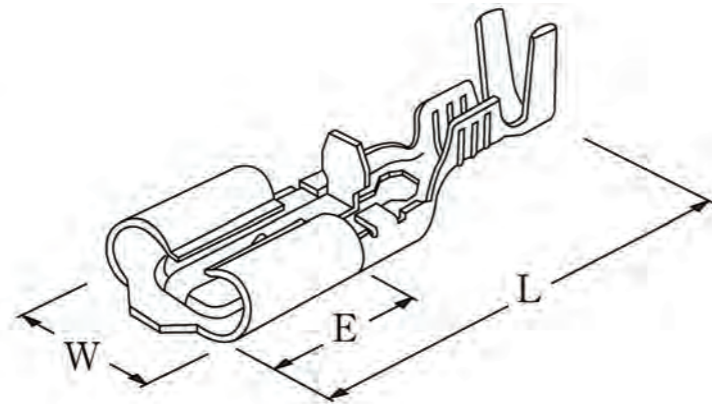
产品类别 Product Type	产品型号 Product model	导线范围 Wireins Dis		材质 Material	表面处理 Finish	尺寸规格 Dimensions(mm)			备注 Remarks
		mm ²	AWG			L	E	W	
250 系列	TR6.3*0.8V1	2.1~0.82	14~18	黄铜 Brass	锡 Tin	22.6	6.6	7.6	压线脚略有差异
	TR6.3*0.8V1-1	2.1~0.82	14~18			22.6	6.6	7.6	压线脚略有差异
	TR6.3*0.8V1-2	3.3~1.3	12~16			22.6	6.6	7.6	压线脚略有差异

O型 旗形端子
O Type Flag Terminal



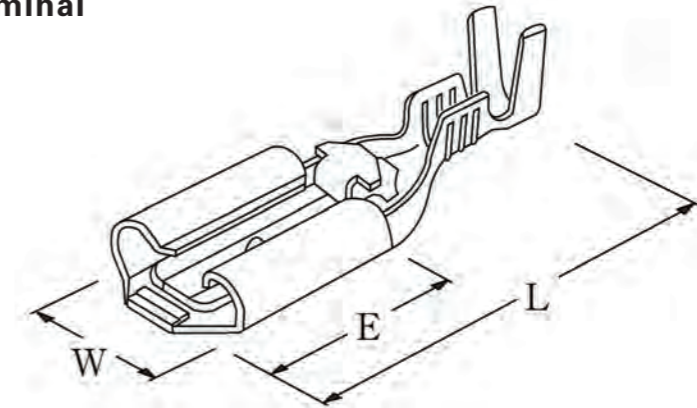
产品类别 Product Type	产品型号 Product model	导线范围 Wireins Dis		材质 Material	表面处理 Finish	尺寸规格 Dimensions(mm)			备注 Remarks
		mm ²	AWG			L	E	W	
250 系列	TR6.3*0.8O1	0.82~0.32	18~22	黄铜 Brass	锡 Tin	14.3	7.5	7.6	
	TR6.3*0.8O2	2.1~0.82	14~18			14.3	7.5	7.6	
	TR6.3*0.8O4	0.52~0.22	20~24			14.3	7.5	7.6	
特制品	TR5.0*1.0 CH	0.75	国标线			12.1	6.3	5.8	
187 系列	TR4.8*0.8O1	0.82~0.32	18~22			12	6.3	5.6	
	TR4.8*0.8O2	2.1~0.82	14~18			13.3	6.3	5.6	
	TR4.8*0.5O1	0.82~0.32	18~22			12	6.3	5.6	
	TR4.8*0.5O2	2.1~0.82	14~18			13.3	6.3	5.6	

G型 平行端子
G Type Straight Terminal



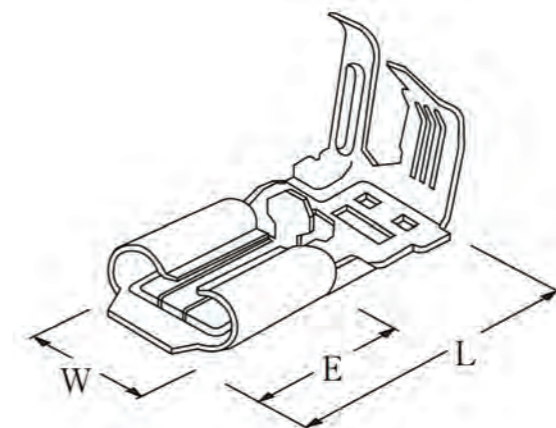
产品类别 Product Type	产品型号 Product model	导线范围		材质	表面处理	尺寸规格			备注
		mm ²	AWG			L	E	W	
250 系列	TR6.3*0.8G1	2.1~0.82	14~18	黄铜 Brass	锡 Tin	22.8	6.6	7.6	
	TR6.3*0.8G2	3.3~2.1	12~14			22.8	6.6	7.6	
	TR6.3*0.8G3	0.82~0.32	18~22			22.8	6.6	7.6	
187 系列	TR4.8*0.5G1	2.1~0.82	14~18			19.8	5	5.6	
	TR4.8*0.5G2	/	20+20~18+18			19.8	5	5.6	
	TR4.8*0.5G1-1	2.1~0.82	14~18			20	5	5.6	压双线
特制品	TR2.8*0.5G1	0.82~0.32	18~22	18.7	6.2	3.8			

H型 平行端子
H Type Straight Terminal



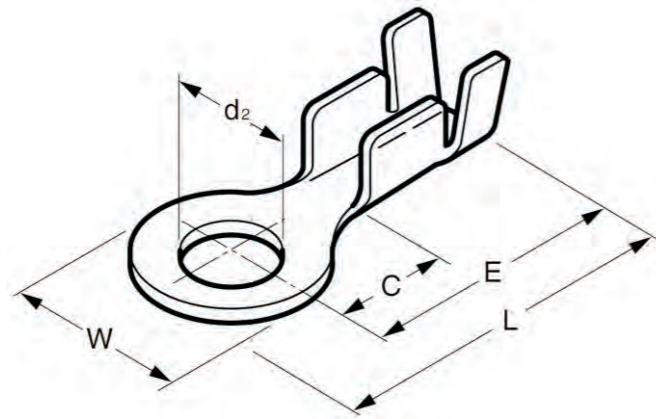
产品类别 Product Type	产品型号 Product model	导线范围 Wireins Dis		材质 Material	表面处理 Finish	尺寸规格 Dimensions(mm)			备注 Remarks
		mm ²	AWG			L	E	W	
250 系列	TR6.3*0.8H1	0.82~0.32	18~22	黄铜 Brass	锡 Tin	20.8	7.8	7.6	
	TR6.3*0.8H2	2.1~0.82	14~18			20.8	7.8	7.6	
	TR6.3*0.8H2-1	2.1~0.82	14~18			20.8	7.8	7.6	与H2在插拔上存在差异
187 系列	TR4.8*0.5H	1.3~0.52	16~20	黄铜 Brass	锡 Tin	17.2	6.3	5.6	
	TR4.8*0.5H1	0.52~0.32	20~22			17.2	6.3	5.6	

Q1型/R型 旗形端子
Q1 Type/R Type Flag Terminal



产品类别 Product Type	产品型号 Product model	导线范围		材质	表面处理	尺寸规格			备注
		mm ²	AWG			L	E	W	
250 系列	TR6.3*0.8Q1-1	3.3~0.82	12~18	黄铜 Brass	锡 Tin	18.3	7.8	7.6	
187 系列	TR4.8*0.8R	2.1~0.82	14~18			15.9	6.3	5.7	

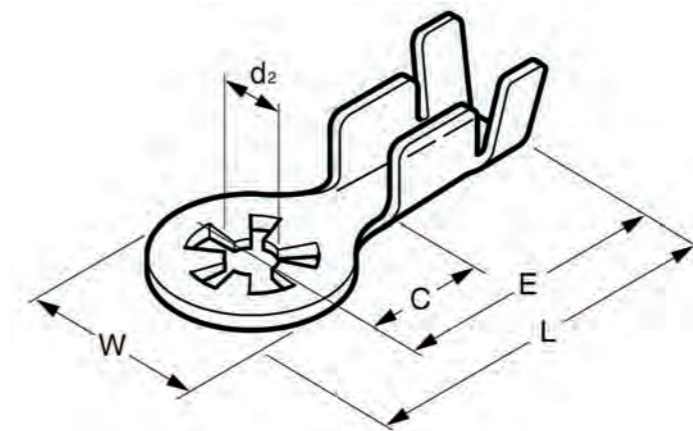
环形端子
Ring terminal



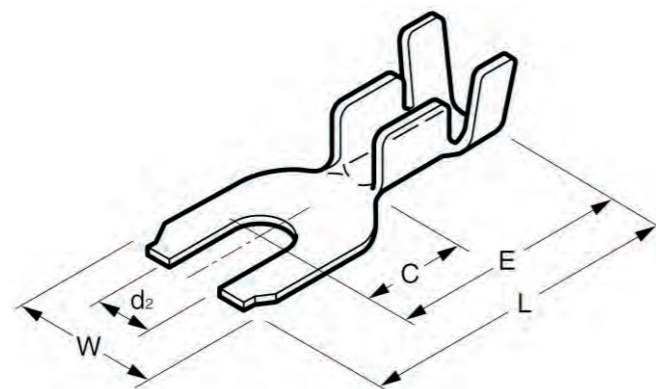
产品型号 Product model	导线范围 Wireins Dis		材质 Material	表面处理 Finish	尺寸规格 Dimensions(mm)					材料厚度 Material thickness
	mm ²	AWG			d ₂	L	E	C	W	
TRT2.8*0.5A	0.82~0.32	18~22	黄铜 Brass	锡 Tin	2.8	16.7	13.2	5.9	7	0.5
TRT3.2*0.4A	0.5	24			3.2	11.3	8.8	3.8	5	0.4
TRT3.2*0.5A2	2.1~0.82	14~18			3.2	16.1	12.6	5.6	7	0.5
TRT4.3*0.5A1	0.82~0.32	18~22			4.3	16.5	12.8	5.1	7.5	0.5
TRT4.3*0.5A2	2.1~0.82	14~18			4.3	16.5	12.8	5.1	7.5	0.5
TRT4.3*0.5A2-1	2.1~0.82	14~18			4.3	19.2	15	7.8	8.5	0.5
TRT4.3*0.8A1	0.82~0.32	18~22			4.3	16.5	12.8	5.1	7.5	0.8
TRT4.3*0.8A2	2.1~0.82	14~18			4.3	16.5	12.8	5.1	7.5	0.8
TRT5.3*0.5A1	0.82~0.32	18~22			5.3	18.5	14.2	6.8	8.5	0.5
TRT5.3*0.5A2	2.1~0.82	14~18			5.3	18.5	14.2	6.8	8.5	0.5
TRT6.4*0.6A	2.1~0.82	14~18			6.4	24	18	9	12	0.6
TRT8.3*0.8A	2.1~0.82	14~18			8.3	26	19	10.5	13.9	0.8

产品型号 Product model	导线范围 Wireins Dis		材质 Material	表面处理 Finish	尺寸规格 Dimensions(mm)					材料厚度 Material thickness
	mm ²	AWG			d ₂	L	E	C	W	
TFT4.3*0.5A1	0.82~0.32	18~22	黄铜 Brass	锡 Tin	4.3	17.3	13.3	6.5	7.2	0.5
TFT4.3*0.5A2	2.1~0.82	14~18			4.3	17.3	13.3	6.5	7.2	0.5
TFT4.3*0.8A1	0.82~0.32	18~22			4.3	17.3	13.3	6.5	7.2	0.8
TFT4.3*0.8A2	2.1~0.82	14~18			4.3	17.3	13.3	6.5	7.2	0.8
TFT5.3*0.5A1	0.82~0.32	18~22			5.3	17.3	13.3	5.9	8.2	0.5
TFT5.3*0.5A2	2.1~0.82	14~18			5.3	17.3	13.3	5.9	8.2	0.5

齿形端子
Toothed Terminal

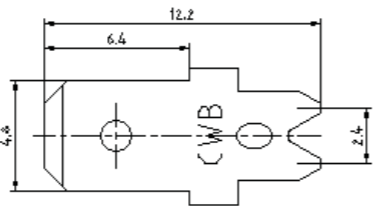
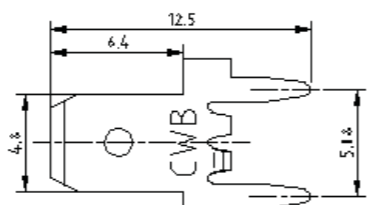
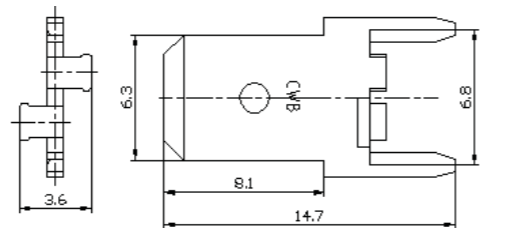
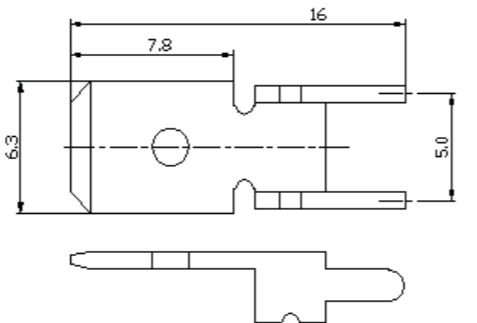
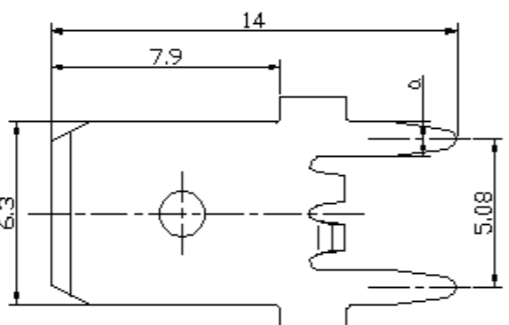
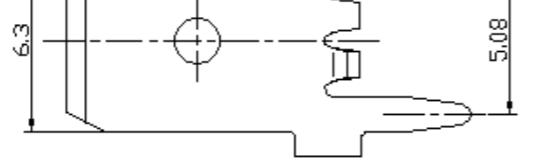


叉形端子
Forked terminal



产品型号 Product model	导线范围 Wireins Dis		材质 Material	表面处理 Finish	尺寸规格 Dimensions(mm)					材料厚度 Material thickness
	mm ²	AWG			d ₂	L	E	C	W	
TRT4.3A 内齿接线片	2.1~0.82	14~18	黄铜 Brass	锡 Tin	4.3	19	5.3	6.5	7.4	0.7
TRT4.3A 内齿接线片	1.3~0.82	16~18			7.1	27.5	20.5	9.7	14.7	0.8

插片
TAB

产品型号 Product model	材质 Material	表面处理 Finish	材料厚度 Material thickness	图形 Graphical	备注 Remarks
TP4.8*0.5插片A	黄铜 Brass	锡 Tin	0.5		
TP4.8*0.5插片B			0.5		
TP6.3*0.8插片B			0.8		
TP6.3*0.8插片C			0.8		
TP6.3*0.8插片D			0.8		a=1.2
TP6.3*0.8插片D-1			0.8		a=1.14

产品型号 Product model	材质 Material	表面处理 Finish	材料厚度 Material thickness	图形 Graphical	备注 Remarks
TP6.3*0.8插片E	黄铜 Brass	锡 Tin	0.8	